

Rotary seals

Techné
— LA PERFORMANCE AU QUOTIDIEN



www.techne.fr

- Direct and easy access to our stock
- Technical information
- Material data sheets on line
- News from Techné

Join us on www.techne.fr

Information in this catalogue is based on the experience gained by Techné in the last decade of research & development and manufacture of sealing products. It represents the current state of our knowledge and know-how. The sealing function of rotary shaft seals do not rely only on the component itself, but on other parameters such as the assembly, the applied pressure, contact area, operating temperature, mechanical stress, media, liquids in contact, lubrication and any kind of outside dirt. Because of this high number of parameters, it is not possible to give general statements on the function of the products in this catalogue. Information in this catalogue only represents recommended values that are not true in each application. Moreover it is essential to perform sealing tests in order to confirm the good functionality of the sealing system.

In the context of product optimisation, we reserve the right to change, without prior notice, our product range, tolerances, materials and manufacturing process as well as the information mentioned in this catalogue.

Contents

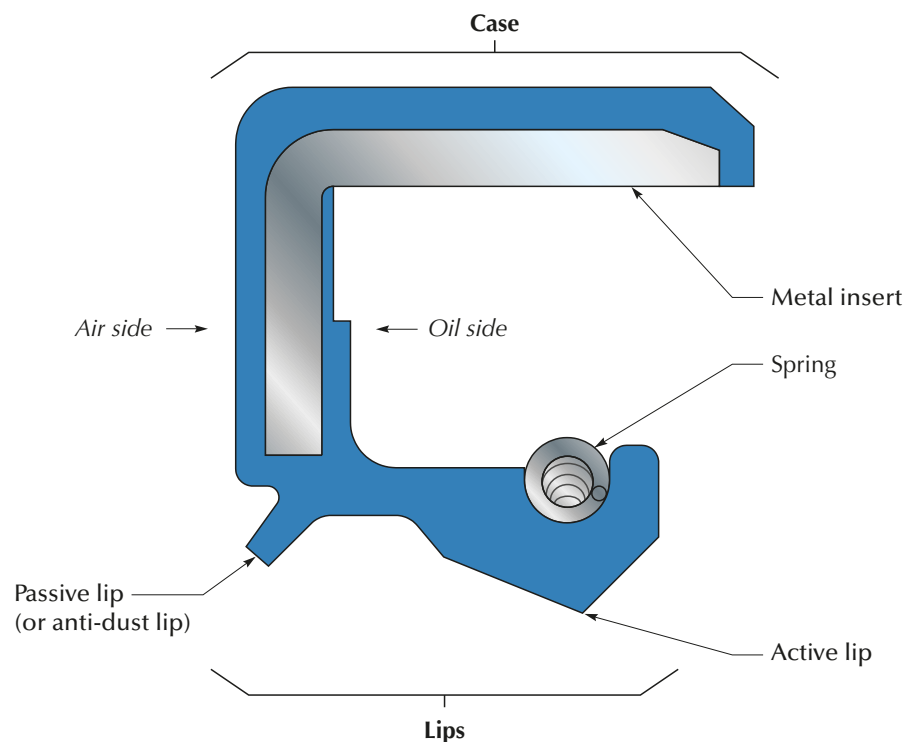
1) Introduction.....	2
2) Standard rotary seals	5
SL & DL	6
AEX SL & AEX DL	8
T2 SL & T2 DL	10
AN SL & AN DL.....	12
1/2EN DL HD & 1/2EN DL HG.....	14
DLO	16
List of dimensions.....	18
3) Rotary seals for Automotive.....	67
Engine rotary seals.....	68
Steering shaft seals.....	70
Power steering shaft seals.....	71
After market.....	72
4) Rotary seals for Agriculture & Construction.....	73
K7 seals	74
PTO (Power Take Off) axle seal	77
TL CO & TLO CO	78
CERF anti pollution seals	79
5) Rotary seals for Industry.....	81
High pressure rotary seals.....	82
ATR SL - Fabric reinforced rotary seals	85
PTFE lip seals.....	86
RST & RSP PTFE rubber energized seal	88
VR & VAR PTFE spring energized seals	89
6) Custom made rotary seals.....	90
7) Sleeves.....	91
8) End caps	96
9) V-Seals	100
10) Axial face seals.....	114
11) Technical instructions	118
1) Working parameters	119
2) Dimensional recommendations	122
3) Materials.....	127

Introduction

General design of Techné rotary shaft seal

✓ Definition

A rotary shaft seal, makes the sealing possible between a dynamic shaft and fixed housing. It is usually used in motors and transmissions. Designed to be used with mineral and synthetic based oils, and greases.

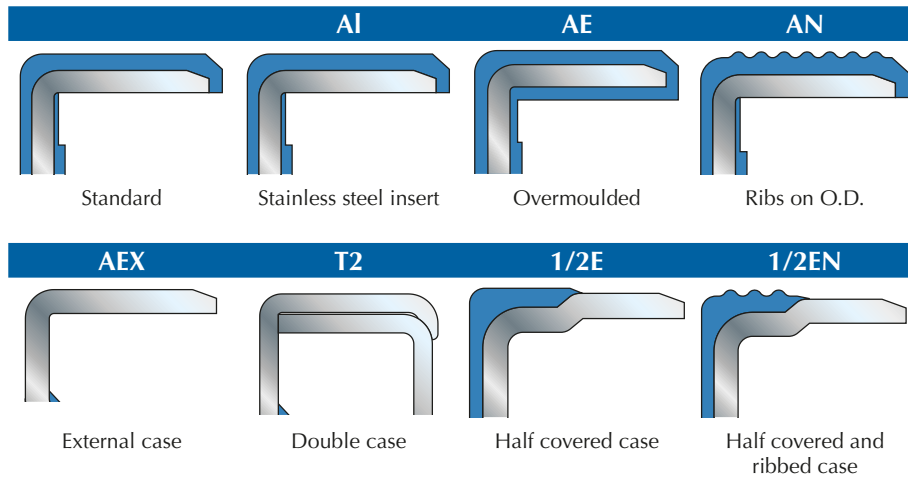


To meet all sealing requirements, a rotary shaft seal has three main components: **case, spring, lip** active (and / or passive). These components must be selected depending on following working conditions :

- Fluids in contact
- Shaft rotation speed
- Temperature
- Pressure
- External pollution.

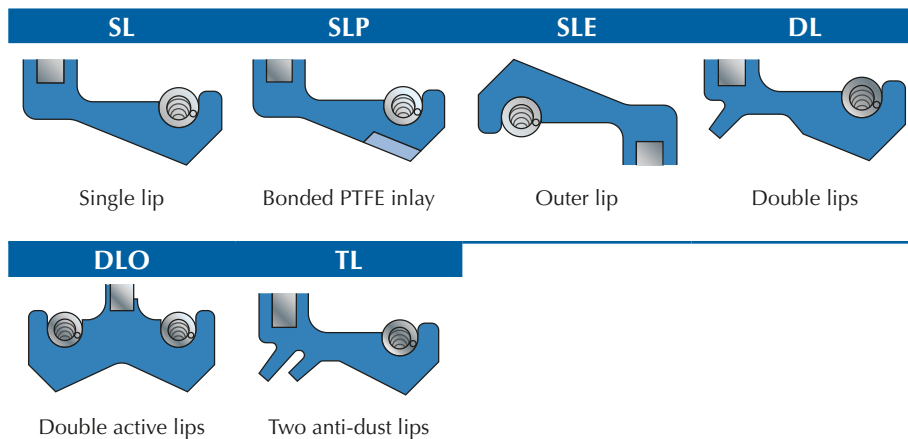
✓ Cases

Metal case can be selected depending on housing and assembly conditions



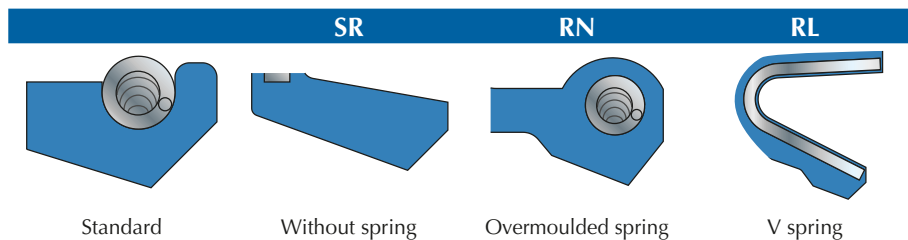
✓ Lips

Lip can be selected depending on application



✓ Springs

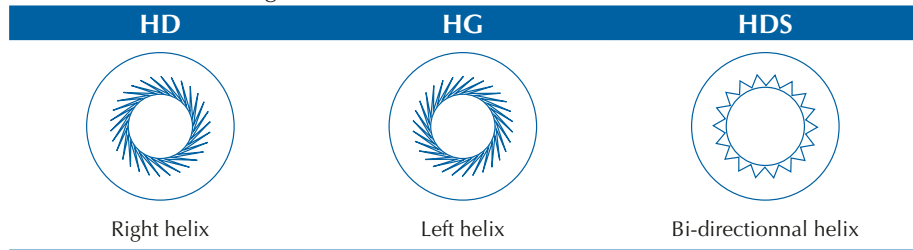
Spring material and type can be selected depending on fluids in contact, shaft tolerances, shaft rotation speed



On demand Techné can provide springs made of special alloys, see spring material page 132.

✓ Helix

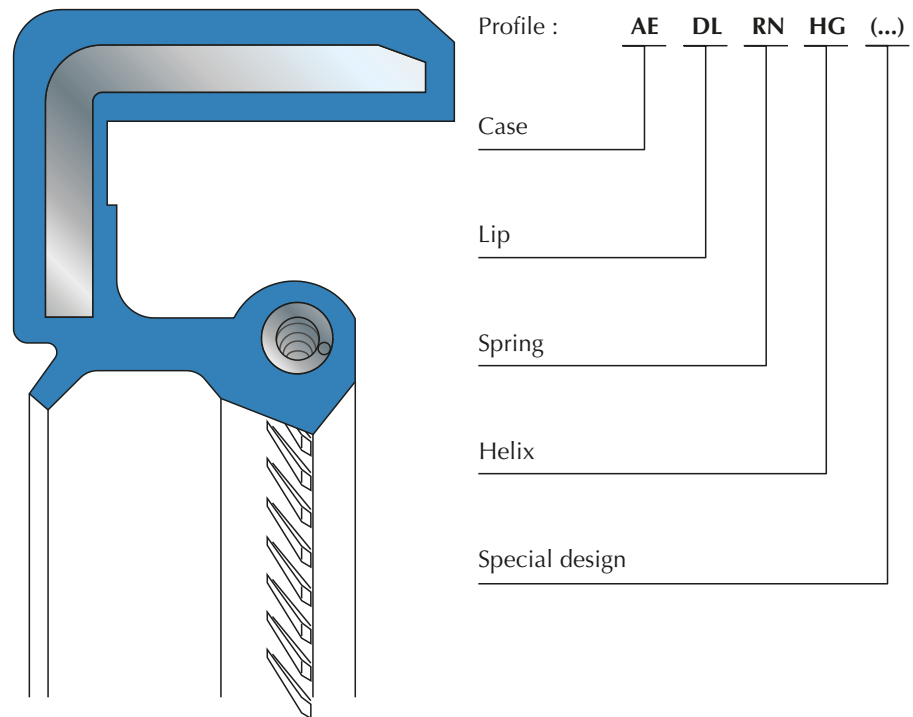
To improve the sealing properties of rotary shaft seals, helixes may be implemented on the lip seals' back (air side). They bring a pumping effect and therefore reject outgoing oil back to the fluid side. Helixes are oriented into the shaft rotating direction. Bi-directional helixes are also possible, although their effectiveness is not so good as unidirectional ones.



✓ Techné designation

Depending on the use of the rotary shaft seal, we can easily find the right designation that meets your requirements.

For example:



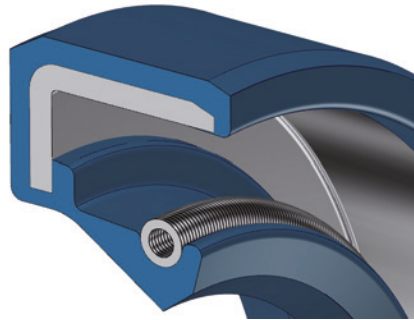
✓ Packaging

Rotary shaft seals are packed depending on dimension, either one by one or in rolls of 10, 20 or 50 pieces.

Techné recommends not remove the seals from their packaging until use.

Standard rotary seals

SL & DL

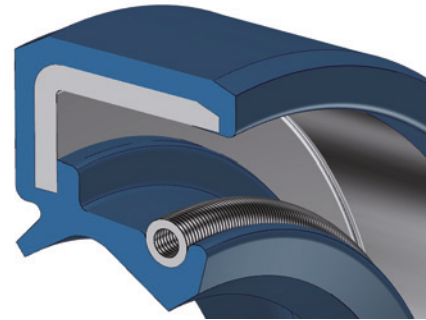


✓ SL

NBR: 22.2100

FKM: 22.2200

VMQ: 22.2400



✓ DL

NBR: 22.2110

FKM: 22.2210

VMQ: 22.2410

1) Description

- Type A & AS according to DIN 3760/3761
- Metal case covered with smooth rubber. DL type with an extra passive anti-dust lip.

2) Advantages

- Good static sealing
- Easy fitting & removal (without housing damage)
- Suitable for gas and liquids
- Prevents from a fretting corrosion
- Possible use with fluids under pressure (see page 82)
- Possible use with light alloys housings (with high thermal expansion such as aluminium)
- Possible fitting in split housings

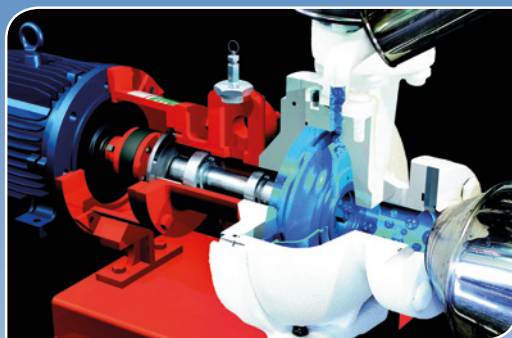
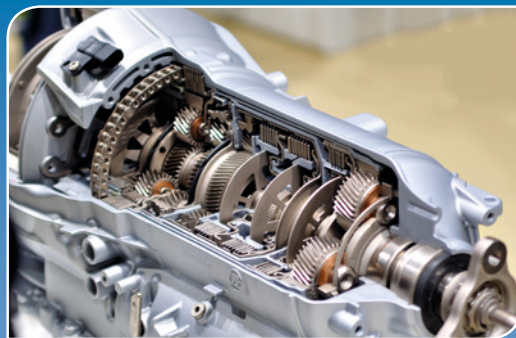
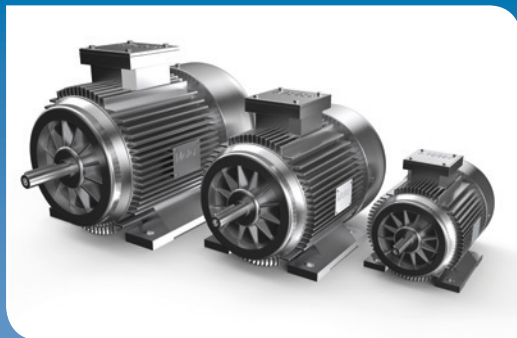
3) Limitations

- For a higher stiffness in the housing, see types AEX, T2 or 1/2E.

4) Applications

- Most used types in various applications
- Electrical motors, gear boxes, pumps...

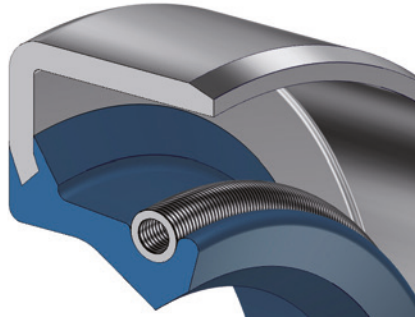
Applications



SL & DL rotary seals are used in various applications such as electrical motors, gear boxes, pumps etc.



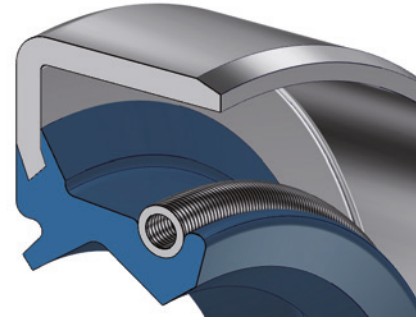
AEX SL & AEX DL



✓ AEX SL

NBR: 22.2300

FKM: 22.2230



✓ AEX DL

NBR: 22.2140

FKM: 22.2240

1) Description

- Type B & BS according to DIN 3760/3761
- Machined outer metal case.
AEX DL type with an extra passive anti-dust lip.

2) Advantages

- Good stiffness in the housing
- Avoid spring back of the rotary seal out of housing after fitting
- Suitable for big dimensions
- Precision fitting
- Can be fitted in combination with V-Seals or Axial face seals

3) Limitations

- Possible damage of the housing during fitting & removal (especially with light alloys and soft materials housings)
- Not recommended for housings made of alloys with high thermal expansion (for example light alloys such as aluminum)
- Not recommended for gas & low viscosity fluids
- Not recommended for housings with rough surface
- Possible fretting corrosion
- Fluids under pressure require additional sealant
- Not recommended in split housings

4) Applications

- Heavy machinery, ships...

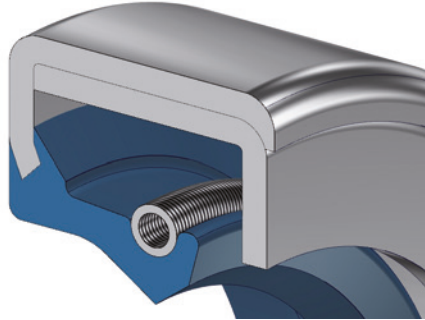
Applications



AEXSL & AEXDL are used in various applications such as heavy machinery, ships, etc.



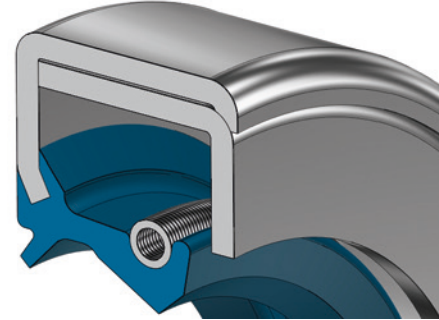
T2 SL & T2 DL



✓ T2 SL

NBR: 22.2350

FKM: 22.2355



✓ T2 DL

NBR: 22.2354

FKM: 22.2254

1) Description

- Type C & CS according to DIN 3760/3761
- Double outer metal case. T2 DL type with an extra passive anti-dust lip.

2) Advantages

- Excellent stiffness in the housing
- Avoid spring back of the rotary seal out of housing after fitting
- Recommended for big dimensions
- Precision fitting
- Can be fitted in combination with V-Seals or Axial face seals

3) Limitations

- Possible damage of the housing during fitting & removal (especially with light alloys and soft materials housings)
- Not recommended for housings made of alloys with high thermal expansion (for example light alloys such as aluminum)
- Not recommended for gas & low viscosity fluids
- Not recommended for housings with rough surfacee
- Possible fretting corrosion
- Fluids under pressure require additional sealant
- Not recommended in split housings

4) Applications

- Heavy machinery, public works, mills, steel industry

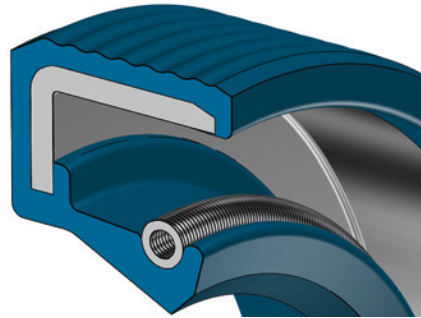
Applications



T2SL & T2DL are used in various applications such as heavy machinery, public works, mills, steel industry, etc.



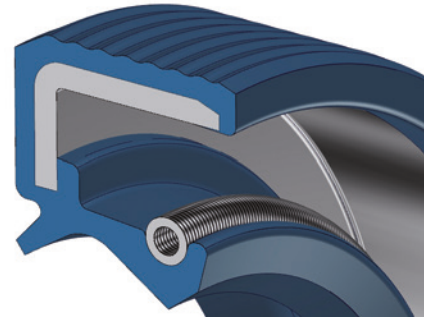
AN SL & AN DL



✓ AN SL

NBR: 22.2120

FKM: 22.2291



✓ AN DL

NBR: 22.2121

FKM: 22.2290

1) Description

Metal case covered with rubber additional outer ribs. DL type with an extra passive anti-dust lip.

2) Advantages

- Good static sealing
- Easier fitting & removal (without housing damage)
- Allows a straight aligned fitting
- Prevents rotary seal from springing back from housing
- Suitable for gas and liquids
- Prevents from a fretting corrosion
- Possible use with fluids under pressure (see page 82)
- Recommended with light alloys housings (with high thermal expansion such as aluminium)
- Possible fitting in split housings

3) Limitations

- For a higher stiffness in the housing, see types AEX, T2 or 1/2EN

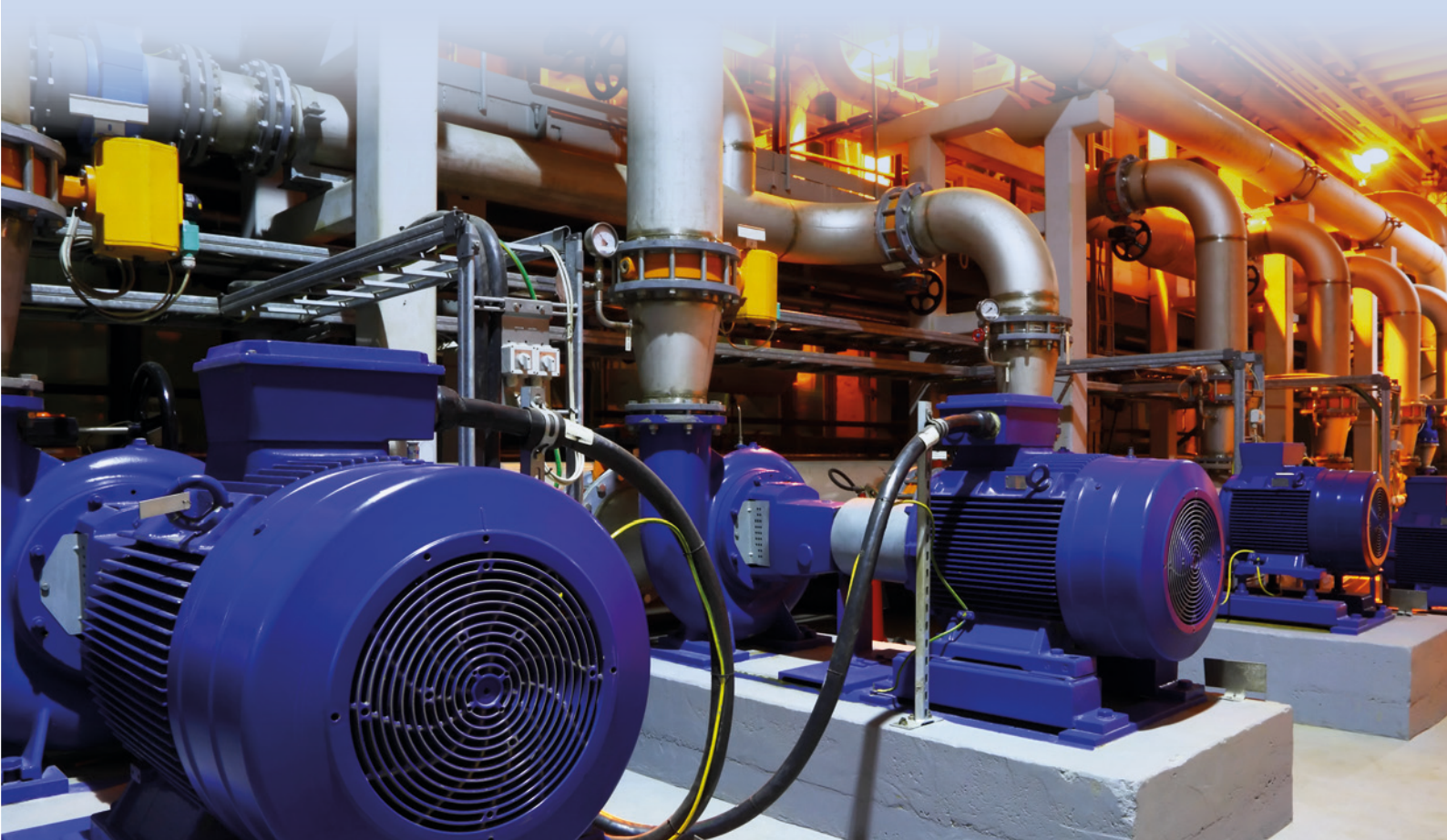
4) Applications

- Electrical motors, gear boxes, pumps...

Applications

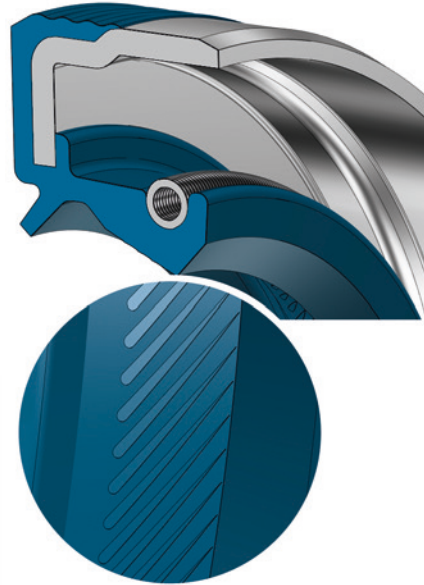


AN SL & AN DL rotary seals are used in various applications such as electrical motors, gear boxes, pumps etc.



14

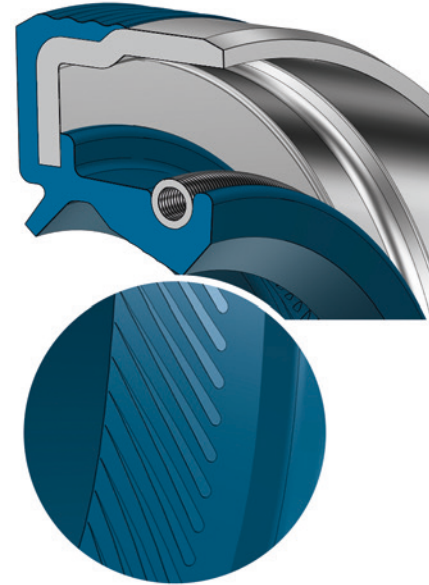
1/2EN DL HD & 1/2EN DL HG



✓ 1/2EN DL HD

FKM: 22.2296

VQM: 22.2496



✓ 1/2EN DL HG

FKM: 22.2295

VMQ: 22.2196

1) Description

- Metal case partially covered with rubber additional outer ribs and helices. DL type with an extra passive anti-dust lip.

2) Advantages

- Good static sealing
- Improved dynamic sealing thanks to helices (see page 4)
- Good stiffness in the housing
- Prevents rotary seal from springing back from housing
- Suitable for gas and liquids
- Possible use with fluids under pressure (see page 82)
- Possible fitting in split housings

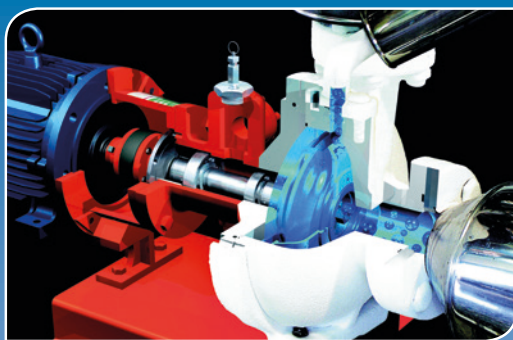
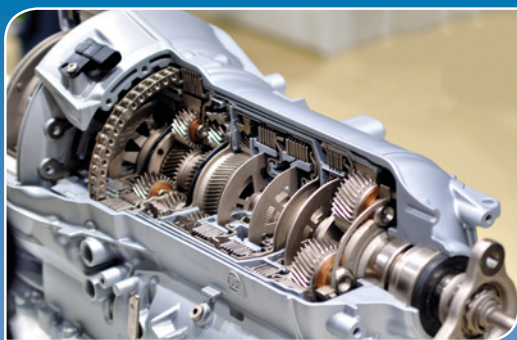
3) Limitations

- Possible damage of the housing during fitting & removal (especially with light alloys and soft materials housings)
- Possible fretting corrosion

4) Applications

- Automotive applications, gear boxes, pumps...

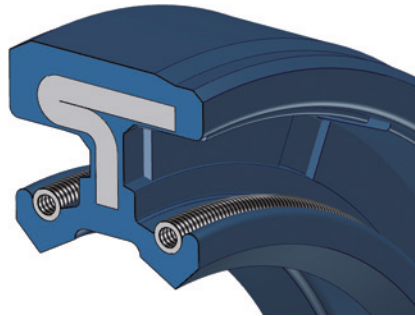
Applications



1/2EN DL HG & 1/2EN DL HD rotary seals are used in various applications such as automotive motors, gear boxes, pumps.



DLO



✓ DLO

NBR: 22.2011

FKM: 22.2262

1) Description

- Type AD according to DIN 3760/3761
- Metal case covered with smooth rubber. Two active lips for separating two different fluids.

2) Advantages

- Good static sealing
- Easy fitting & removal (without housing damage)
- Suitable for gas and liquids
- Prevents from a fretting corrosion
- Possible use with fluids under pressure (see page 82)
- Possible use with light alloys housings (with high thermal expansion such as aluminium)
- Possible fitting in split housings

3) Limitations

- For a higher stiffness in the housing, please see type AE DLO (page 136)

4) Applications

- Food industry, chemicals, etc.

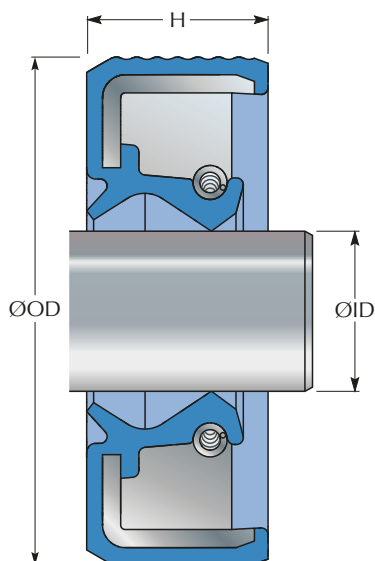
Applications



DLO rotary seals are used in various applications in food and chemical industries.



List of dimensions



ID	OD	H	Type	Material	Item no.	ID	OD	H	Type	Material	Item no.
4	11	6	SL	NBR	22.2100.0563	7	14	5	SL	NBR	22.2100.7145
4	11	6	SL	FKM	22.2200.4116	7	16	7	SL	NBR	22.2100.0716
4	12	6	SL	NBR	22.2100.0412	7	16	7	DL	NBR	22.2110.7167
4	12	6	SL	FKM	22.2200.0004	7	18	7	SL	NBR	22.2100.0718
4	12	6	DL	FKM	22.2210.0412	7	19	6	SL	NBR	22.2100.7196
5	9	2	AEX SL SR	NBR	22.2155.0614	7	22	7	SL	NBR	22.2100.0734
5	10	2	AN SL SR	NBR	22.2122.5102	8	16	7	AEX SL	NBR	22.2300.0816
5	15	6	SL	NBR	22.2100.0515	8	12	3	AN SL SR	NBR	22.2122.0812
5	15	6	SL	FKM	22.2200.5156	8	14	3	SL SR	NBR	22.2160.0814
5	16	7	SL	FKM	22.2200.5167	8	14	4	SL	NBR	22.2100.0814
5	16	7	DL	NBR	22.2110.0516	8	15	3	AN SL SR	NBR	22.2122.8153
5	19	5	DL	NBR	22.2110.0519	8	16	6	DL	NBR	22.2110.0816
6	10	2	AEX SL SR	NBR	22.2155.0610	8	16	7	SL	NBR	22.2100.0541
6	16	7	AEX SL	NBR	22.2300.0616	8	16	7	SL	FKM	22.2200.0816
6	15	4	SL	NBR	22.2100.6154	8	16	7	DL	NBR	22.2110.8167
6	15	4	SL	FKM	22.2200.6154	8	18	5	SL	FKM	22.2200.8185
6	15	6	SL	NBR	22.2100.0615	8	18	5	DL	NBR	22.2110.0818
6	16	5	SL	NBR	22.2100.5687	8	18	5	DL	FKM	22.2210.0818
6	16	5	SL	FKM	22.2200.0325	8	18	7	DL	NBR	22.2110.1465
6	16	5	DL	FKM	22.2210.6165	8	19	7	DL	NBR	22.2110.0819
6	16	6	SL	NBR	22.2100.6166	8	19	7	DL	FKM	22.2210.0819
6	16	6	SL	FKM	22.2200.6166	8	20	5	SL	NBR	22.2100.8205
6	16	7	SL	NBR	22.2100.0616	8	20	5	DL	NBR	22.2110.8205
6	16	7	SL	FKM	22.2200.0616	8	22	6	SL	NBR	22.2100.0852
6	16	7	DL	NBR	22.2110.0616	8	22	6	DL	NBR	22.2110.8226
6	18	6	SL	NBR	22.2100.6186	8	22	7	SL	NBR	22.2100.0822
6	19	6	SL	NBR	22.2100.6196	8	22	7	SL	FKM	22.2200.0822
6	19	7	SL	NBR	22.2100.2161	8	22	7	DL	NBR	22.2110.8227
6	19	7	SL	FKM	22.2200.6197	8	22	7	DL	FKM	22.2210.0822
7	11	2	AEX SL SR	NBR	22.2155.7112	8	22	8	SL	NBR	22.2100.0145

ID: Inner Diameter
OD: Outer Diameter
H: Height

ID	OD	H	Type	Material	Item no.
8	24	7	SL	NBR	22.2100.8247
8	25	7	DL	NBR	22.2110.8257
9	13	3	AN SL SR	NBR	22.2122.9133
9	16	5	SL	NBR	22.2100.9165
9	18	7	SL	NBR	22.2100.9187
9	18	7	SL	FKM	22.2200.9187
9	19	4	SL	NBR	22.2100.9194
9	19	5	DL	NBR	22.2110.0919
9	22	7	SL	NBR	22.2100.0922
9	22	7	DL	NBR	22.2110.0922
9	24	7	SL	NBR	22.2100.9247
9	25	8	SL	FKM	22.2200.9258
10	17	5	AEX SL	NBR	22.2300.1017
10	19	7	AEX SL	NBR	22.2300.1019
10	14	3	AN SL SR	NBR	22.2122.1014
10	16	4	SL SR	NBR	22.2160.1016
10	16	4	SL	NBR	22.2100.1614
10	16	4	SL	FKM	22.2200.1016
10	16	5	SL	NBR	22.2100.1016
10	17	3	AN SL SR	NBR	22.2122.1017
10	18	4	SL	NBR	22.2100.0459
10	18	4	SL	FKM	22.2200.1018
10	18	5	SL	NBR	22.2100.1018
10	18	6	SL	NBR	22.2100.5554
10	18	6	DL	NBR	22.2110.1018
10	18	6	DL	FKM	22.2210.1018
10	19	3,5	SL	NBR	22.2100.0879
10	19	7	SL	NBR	22.2100.0140
10	19	7	SL	FKM	22.2200.1019
10	19	7	DL	NBR	22.2110.1019
10	19	7	DL	FKM	22.2210.1019
10	20	5	SL	NBR	22.2100.0332
10	20	5	DL	NBR	22.2110.1020
10	20	6	DL	NBR	22.2110.1260
10	20	7	SL	NBR	22.2100.0004
10	20	7	DL	NBR	22.2110.0107
10	22	4	DL	NBR	22.2110.0054
10	22	5	DL	NBR	22.2110.0105
10	22	6	DL	NBR	22.2110.6574
10	22	7	SL	NBR	22.2100.1023
10	14	3	AEX SL SR	NBR	22.2155.0047
10	22	7	SL	FKM	22.2200.0094
10	22	7	DL	NBR	22.2110.1022
10	22	7	DL	FKM	22.2210.1022
10	22	8	SL	NBR	22.2100.1022
10	22	8	SL	FKM	22.2200.1084

ID	OD	H	Type	Material	Item no.
10	24	7	SL	NBR	22.2100.1024
10	24	7	SL	FKM	22.2200.1024
10	24	7	DL	NBR	22.2110.1024
10	25	7	DL	NBR	22.2110.1025
10	25	8	SL	NBR	22.2100.1025
10	25	8	DL	NBR	22.2110.2510
10	26	7	SL	NBR	22.2100.1026
10	26	7	SL	FKM	22.2200.1265
10	26	7	DL	NBR	22.2110.1026
10	26	7	DL	FKM	22.2210.1265
10	28	7	SL	NBR	22.2100.1028
10	28	7	DL	NBR	22.2110.1028
10	30	7	SL	NBR	22.2100.1030
10	30	7	SL	FKM	22.2200.1030
10	30	7	DL	FKM	22.2210.1030
11	17	4	SL	NBR	22.2100.1117
11	17	4	DL	NBR	22.2110.1117
11	19	6	DL	NBR	22.2110.1119
11	21	8	DL	NBR	22.2110.1121
11	22	7	SL	NBR	22.2100.1122
11	22	7	SL	FKM	22.2200.1122
11	22	7	DL	NBR	22.2110.1122
11	23	8	SL	NBR	22.2100.1123
11	26	7	SL	NBR	22.2100.1127
11	26	7	SL	FKM	22.2200.5421
11	30	7	DL	FKM	22.2210.1131
11,11	25,4	9,52	AEX SL	NBR	22.2300.1252
12	18	4	AEX SL	NBR	22.2300.0124
12	19	3	AEX SL SR	NBR	22.2155.1219
12	19	5	AEX SL	NBR	22.2300.1219
12	20	5	AEX SL SR	FKM	22.2250.1220
12	21	5	AEX DL	NBR	22.2140.1221
12	22	7	AEX SL	NBR	22.2300.1222
12	25	5	AEX SL	NBR	22.2300.1225
12	28	7	AEX DL	NBR	22.2140.1228
12	30	5	AEX SL	NBR	22.2300.1230
12	30	7	AEX DL	NBR	22.2140.1230
12	32	7	AEX DL	NBR	22.2140.1232
12	16	3	AN SL SR	NBR	22.2122.1216
12	17	4	SL	FKM	22.2200.0124
12	18	3	AN SL SR	NBR	22.2122.1218
12	18	4	SL SR	NBR	22.2160.0055
12	18	4	SL	FKM	22.2200.0152
12	18	5	SL	NBR	22.2100.0654
12	18	5	DL	NBR	22.2110.1218
12	19	3	AN SL SR	NBR	22.2122.1219

ID: Inner Diameter
OD: Outer Diameter
H: Height

ID	OD	H	Type	Material	Item no.
12	19	4	SL	NBR	22.2100.1219
12	19	5	SL	NBR	22.2100.1212
12	19	5	SL	FKM	22.2200.1219
12	19	5	DL	NBR	22.2110.1219
12	20	4	DL	NBR	22.2110.1220
12	20	5	SL	NBR	22.2100.1824
12	20	5	DL	NBR	22.2110.0057
12	20	5	DL	FKM	22.2210.1220
12	21	4	SL	NBR	22.2100.1234
12	22	4	SL	NBR	22.2100.1222
12	22	4	SL	FKM	22.2200.0122
12	22	5	SL	NBR	22.2100.1220
12	22	5	DL	NBR	22.2110.0125
12	22	6	SL	NBR	22.2100.0157
12	22	6	DL	NBR	22.2110.0126
12	22	6,5	SL	NBR	22.2100.0709
12	22	7	SL	NBR	22.2100.1224
12	22	7	SL	FKM	22.2200.1222
12	22	7	DL	NBR	22.2110.1224
12	22	7	DL	FKM	22.2210.1222
12	22	8	SL	FKM	22.2200.4728
12	22	8	DL	NBR	22.2110.0128
12	22	9	DL	NBR	22.2110.0129
12	23	8	DL	NBR	22.2110.1223
12	24	4,5	SL	NBR	22.2100.5644
12	24	6	SL	NBR	22.2100.5223
12	24	6	SL	FKM	22.2200.8445
12	24	6	DL	NBR	22.2110.8549
12	24	7	SL	NBR	22.2100.0012
12	24	7	SL	FKM	22.2200.1224
12	24	7	DL	NBR	22.2110.0154
12	24	7	DL	FKM	22.2210.1224
12	25	5	SL	NBR	22.2100.1225
12	25	5	DL	NBR	22.2110.0948
12	25	7	DL	NBR	22.2110.1225
12	25	8	SL	NBR	22.2100.4225
12	25	8	DL	NBR	22.2110.0001
12	26	4,5	DL	NBR	22.2110.0843
12	26	7	SL	NBR	22.2100.1207
12	26	7	SL	FKM	22.2200.1226
12	26	7	DL	NBR	22.2110.0002
12	26	8	SL	NBR	22.2100.4287
12	26	8	SL	FKM	22.2200.0471
12	26	8	DL	NBR	22.2110.7458
12	28	5	SL	NBR	22.2100.1541
12	28	7	SL	NBR	22.2100.0908

ID	OD	H	Type	Material	Item no.
12	28	7	SL	NBR	22.2100.1574
12	28	7	SL	FKM	22.2200.1228
12	28	7	DL	NBR	22.2110.1228
12	28	7	DL	FKM	22.2210.1228
12	28	8	SL	NBR	22.2100.1228
12	28	8	DL	NBR	22.2110.4738
12	28	10	DL	FKM	22.2210.0229
12	30	6	SL	NBR	22.2100.1236
12	30	7	SL	NBR	22.2100.1230
12	30	7	SL	FKM	22.2200.1230
12	30	7	DL	NBR	22.2110.1230
12	30	7	DL	FKM	22.2210.1230
12	30	9	DL	NBR	22.2110.1231
12	32	5	SL	NBR	22.2100.5248
12	32	7	SL	NBR	22.2100.1232
12	32	7	SL	FKM	22.2200.1232
12	32	7	DL	NBR	22.2110.1232
12	32	10	SL	NBR	22.2100.9654
12,7	25,4	6,35	AEX SL	NBR	22.2300.1274
12,7	28,58	6,35	AEX DL	NBR	22.2140.1271
12,7	34,92	6,35	AEX SL	NBR	22.2300.1273
13	19	3	AN SL SR	NBR	22.2122.1319
13	22	5	SL	NBR	22.2100.1322
13	22	5	DL	NBR	22.2110.3225
13	22	6	SL	NBR	22.2100.5145
13	24	7	SL	NBR	22.2100.7554
13	25	5	DL	NBR	22.2110.0185
13	25	7	SL	NBR	22.2100.2451
13	26	5	SL	NBR	22.2100.1542
13	26	7	DL	NBR	22.2110.1326
13	28	7	DL	NBR	22.2110.1328
13	30	7	SL	NBR	22.2100.1330
13	30	7	SL	FKM	22.2200.1330
13	30	8	SL	FKM	22.2200.1380
13	30	8	DL	NBR	22.2110.5664
14	28	7	AEX SL	NBR	22.2300.1428
14	20	3	AN SL SR	NBR	22.2122.1420
14	22	4	SL	NBR	22.2100.0074
14	22	4	SL	FKM	22.2200.1422
14	22	4	DL	NBR	22.2110.1422
14	22	5	SL	NBR	22.2100.0014
14	22	5	DL	NBR	22.2110.0422
14	22	7	SL	NBR	22.2100.1423
14	22	7	DL	NBR	22.2110.0147
14	24	5	SL	NBR	22.2100.5313
14	24	6	SL	NBR	22.2100.0474

ID: Inner Diameter
OD: Outer Diameter
H: Height

ID	OD	H	Type	Material	Item no.
14	24	7	SL	NBR	22.2100.1424
14	24	7	DL	NBR	22.2110.1424
14	24	7	DL	FKM	22.2210.1424
14	25	5	SL	NBR	22.2100.1425
14	25	6	SL	NBR	22.2100.1426
14	25	7	SL	FKM	22.2200.1425
14	26	6	DL	NBR	22.2110.0146
14	26	7	SL	NBR	22.2100.0726
14	26	7	DL	NBR	22.2110.0276
14	27	7	SL	FKM	22.2200.1427
14	27	7	DL	NBR	22.2110.1458
14	28	7	SL	NBR	22.2100.1428
14	28	7	DL	NBR	22.2110.0728
14	28	7	DL	FKM	22.2210.1428
14	30	4,5	SL	FKM	22.2200.1445
14	30	7	SL	NBR	22.2100.0307
14	30	7	DL	NBR	22.2110.3007
14	30	10	DL	NBR	22.2110.3010
14	32	7	DL	NBR	22.2110.3207
14	35	7	DL	NBR	22.2110.0143
15	21	4	AEX DL	NBR	22.2140.0118
15	24	7	AEX DL	NBR	22.2140.2407
15	25	7	AEX DL	NBR	22.2140.1525
15	26	9	AEX DL	NBR	22.2140.1526
15	30	8	AEX SL	NBR	22.2300.1538
15	21	3	AN SL SR	NBR	22.2122.1521
15	21	4	SL	NBR	22.2100.1521
15	21	4	SL	FKM	22.2200.1521
15	21	5	SL	NBR	22.2100.2115
15	22	5	DL	NBR	22.2110.0225
15	22	5	DL	FKM	22.2210.1522
15	23	3	AN SL SR	NBR	22.2122.1523
15	24	5	SL	NBR	22.2100.0245
15	24	5	SL	FKM	22.2200.5410
15	24	5	DL	NBR	22.2110.2415
15	24	7	SL	NBR	22.2100.1524
15	24	7	SL	FKM	22.2200.1524
15	24	7	DL	NBR	22.2110.1524
15	24	7	DL	FKM	22.2210.1524
15	25	5	SL	NBR	22.2100.1525
15	25	5	DL	NBR	22.2110.1525
15	25	6	DL	NBR	22.2110.0256
15	25	7	SL	NBR	22.2100.1554
15	25	7	DL	NBR	22.2110.0752
15	26	4,5	SL	NBR	22.2100.2645

ID	OD	H	Type	Material	Item no.
15	26	4,5	DL	NBR	22.2110.1526
15	26	6	SL	NBR	22.2100.1566
15	26	7	SL	NBR	22.2100.0267
15	26	7	SL	FKM	22.2200.1526
15	26	7	DL	NBR	22.2110.0726
15	26	7	DL	FKM	22.2210.1526
15	27	7	SL	NBR	22.2100.0772
15	27	7	DL	NBR	22.2110.0772
15	28	4	SL	NBR	22.2100.1528
15	28	4	DL	NBR	22.2110.0348
15	28	5	SL	NBR	22.2100.0053
15	28	6	DL	NBR	22.2110.0682
15	28	7	SL	NBR	22.2100.0782
15	28	7	SL	FKM	22.2200.1528
15	28	7	DL	NBR	22.2110.0872
15	28	7	DL	FKM	22.2210.1528
15	30	4,5	SL	NBR	22.2100.0453
15	30	4,5	SL	FKM	22.2200.0159
15	30	4,5	DL	FKM	22.2210.1530
15	30	5	SL	NBR	22.2100.0503
15	30	5	DL	NBR	22.2110.0155
15	30	6	SL	FKM	22.2200.0156
15	30	6	DL	NBR	22.2110.0712
15	30	7	SL	NBR	22.2100.0878
15	30	7	SL	NBR	22.2100.1500
15	30	7	SL	FKM	22.2200.1537
15	30	7	DL	NBR	22.2110.1530
15	30	7	DL	FKM	22.2210.5158
15	30	8	DL	NBR	22.2110.3008
15	30	10	SL	NBR	22.2100.1235
15	30	10	SL	FKM	22.2200.1530
15	32	4	SL	NBR	22.2100.0902
15	32	5	DL	NBR	22.2110.0325
15	32	5,5	SL	NBR	22.2100.3255
15	32	7	SL	NBR	22.2100.1532
15	32	7	SL	FKM	22.2200.1532
15	32	7	DL	NBR	22.2110.0732
15	35	5	SL	FKM	22.2200.0041
15	35	6	SL	NBR	22.2100.1560
15	35	6	DL	NBR	22.2110.0156
15	35	7	SL	NBR	22.2100.0155
15	35	7	SL	FKM	22.2200.1535
15	35	7	DL	NBR	22.2110.1035
15	35	7	DL	FKM	22.2210.0153
15	35	8	SL	NBR	22.2100.0853
15	35	8	DL	NBR	22.2110.0853

ID: Inner Diameter
OD: Outer Diameter
H: Height

ID	OD	H	Type	Material	Item no.
15	35	10	SL	FKM	22.2200.1510
15	35	10	DL	NBR	22.2110.3510
15	36	7	DL	NBR	22.2110.0157
15	36	7	DL	FKM	22.2210.1536
15	37	7	SL	FKM	22.2200.8487
15	37	7	DL	NBR	22.2110.0377
15	38	8	SL	FKM	22.2200.1538
15	40	8	DL	NBR	22.2110.4008
15	40	10	SL	NBR	22.2100.1540
15	40	10	DL	NBR	22.2110.4010
15	42	7	SL	NBR	22.2100.0427
15	42	7	DL	NBR	22.2110.0427
15	42	8	DL	NBR	22.2110.0428
15	42	10	SL	NBR	22.2100.4210
15,88	34,92	6,35	AEX SL	NBR	22.2300.1583
16	22	4	AEX SL	NBR	22.2300.1624
16	24	4	AEX SL	NBR	22.2300.0244
16	26	7	AEX SL	NBR	22.2300.1626
16	28	7	AEX DL	NBR	22.2140.1628
16	32	7	AEX SL	NBR	22.2300.0327
16	21	4,5	SL SR	NBR	22.2160.1621
16	22	3	AN SL SR	NBR	22.2122.1622
16	22	4	SL	NBR	22.2100.0224
16	22	4	DL	NBR	22.2110.1622
16	24	3	AN SL SR	NBR	22.2122.1624
16	24	4	SL	NBR	22.2100.0109
16	24	4	DL	FKM	22.2210.1624
16	24	5	SL	NBR	22.2100.0542
16	24	5	SL	FKM	22.2200.0164
16	24	6	DL	NBR	22.2110.2465
16	24	6,5	DL	NBR	22.2110.1665
16	24	7	SL	NBR	22.2100.1624
16	24	7	DL	NBR	22.2110.1624
16	24	7	DL	FKM	22.2210.0077
16	25	3	AN SL SR	NBR	22.2122.1625
16	25	7	SL	NBR	22.2100.1625
16	26	4	SL	NBR	22.2100.2604
16	26	4,5	SL SR	NBR	22.2160.1626
16	26	5	SL	NBR	22.2100.1626
16	26	7	SL	NBR	22.2100.0276
16	26	7	SL	FKM	22.2200.8746
16	26	7	DL	NBR	22.2110.1626
16	26	8	DL	NBR	22.2110.0162
16	28	6	SL	NBR	22.2100.0046
16	28	7	SL	NBR	22.2100.0162
16	28	7	DL	NBR	22.2110.1628

ID	OD	H	Type	Material	Item no.
16	28	7	DL	FKM	22.2210.1628
16	30	4,5	SL	NBR	22.2100.1630
16	30	7	SL	NBR	22.2100.7030
16	30	7	SL	FKM	22.2200.1630
16	30	7	DL	NBR	22.2110.7030
16	30	7	DL	FKM	22.2210.0163
16	32	6	SL	NBR	22.2100.1632
16	32	7	SL	NBR	22.2100.0027
16	32	7	DL	NBR	22.2110.0327
16	32	8	SL	NBR	22.2100.0136
16	32	10	SL	NBR	22.2100.1032
16	35	7	SL	FKM	22.2200.1635
16	35	7	DL	NBR	22.2110.0357
16	35	10	SL	FKM	22.2200.1610
16	40	10	SL	NBR	22.2100.1040
16	40	10	DL	NBR	22.2110.1040
16	42	6	SL	NBR	22.2100.1642
17	33	7	AEX SL	NBR	22.2300.1733
17	35	10	AEX DL	NBR	22.2140.0710
17	40	10	T2 SL	NBR	22.2350.1740
17	23	3	AN SL SR	NBR	22.2122.1723
17	24	5	SL	FKM	22.2200.1724
17	24	7	SL	FKM	22.2200.0018
17	25	4	SL	NBR	22.2100.1725
17	25	7	SL	NBR	22.2100.0572
17	26	6	SL	NBR	22.2100.1726
17	27	5	SL	NBR	22.2100.0037
17	27	6	SL	FKM	22.2200.1727
17	27	10	DL	NBR	22.2110.2710
17	28	5	SL	FKM	22.2200.0175
17	28	5	DL	NBR	22.2110.1728
17	28	6	SL	NBR	22.2100.1728
17	28	6	DL	NBR	22.2110.0286
17	28	6	DL	FKM	22.2210.5364
17	28	7	SL	NBR	22.2100.0017
17	28	7	SL	FKM	22.2200.1728
17	28	7	DL	NBR	22.2110.0287
17	28	7	DL	FKM	22.2210.1728
17	28	8	SL	FKM	22.2200.2314
17	29	5	DL	NBR	22.2110.0175
17	29	7	DL	NBR	22.2110.0177
17	30	5	SL	NBR	22.2100.0005
17	30	6	SL	NBR	22.2100.0630
17	30	6	DL	NBR	22.2110.3006
17	30	7	SL	NBR	22.2100.1730
17	30	7	SL	FKM	22.2200.1730

ID: Inner Diameter
OD: Outer Diameter
H: Height

ID	OD	H	Type	Material	Item no.
17	30	7	DL	NBR	22.2110.0073
17	30	8	SL	FKM	22.2200.0441
17	30	8	DL	NBR	22.2110.0830
17	30	10	DL	NBR	22.2110.1730
17	32	5	SL	NBR	22.2100.2089
17	32	5	SL	FKM	22.2200.1732
17	32	5	DL	NBR	22.2110.3205
17	32	6	DL	NBR	22.2110.1732
17	32	7	SL	NBR	22.2100.0732
17	32	7	SL	FKM	22.2200.1702
17	32	7	DL	NBR	22.2110.0702
17	32	8	SL	NBR	22.2100.0832
17	32	8	SL	FKM	22.2200.0174
17	32	8	DL	NBR	22.2110.0238
17	32	10	SL	NBR	22.2100.2130
17	33	8	SL	NBR	22.2100.0009
17	33	8	DL	NBR	22.2110.1733
17	34	4	SL	NBR	22.2100.1734
17	35	5	SL	NBR	22.2100.0173
17	35	6	SL	NBR	22.2100.0365
17	35	7	SL	NBR	22.2100.1735
17	35	7	SL	FKM	22.2200.1735
17	35	7	DL	NBR	22.2110.7530
17	35	8	SL	NBR	22.2100.1700
17	35	8	SL	FKM	22.2200.5585
17	35	8	DL	NBR	22.2110.5830
17	35	8	DL	FKM	22.2210.0234
17	35	10	SL	NBR	22.2100.0135
17	35	10	SL	FKM	22.2200.1731
17	37	7	DL	NBR	22.2110.0773
17	37	8	SL	NBR	22.2100.0011
17	40	5	DL	NBR	22.2110.0713
17	40	6	SL	NBR	22.2100.0640
17	40	6	SL	FKM	22.2200.1740
17	40	6	DL	NBR	22.2110.0260
17	40	7	SL	NBR	22.2100.0740
17	40	7	DL	NBR	22.2110.0740
17	40	7	DL	FKM	22.2210.1740
17	40	8	DL	NBR	22.2110.0840
17	40	10	SL	NBR	22.2100.4100
17	40	10	SL	FKM	22.2200.1711
17	47	7	SL	NBR	22.2100.0477
17	47	7	DL	NBR	22.2110.0525
17	47	8	SL	NBR	22.2100.0487
17	47	8	DL	NBR	22.2110.0874
17	47	10	DL	NBR	22.2110.1747

ID	OD	H	Type	Material	Item no.
18	25	4	AEX SL	NBR	22.2300.1825
18	28	7	AEX SL	NBR	22.2300.1828
18	30	7	AEX SL	NBR	22.2300.1830
18	32	7	AEX SL	NBR	22.2300.1832
18	35	7	AEX DL	NBR	22.2140.1835
18	24	3	AN SL SR	NBR	22.2122.1824
18	26	4	AN SL SR	NBR	22.2122.1826
18	26	7	SL	NBR	22.2100.1826
18	27	5	SL	NBR	22.2100.1827
18	28	4	SL	NBR	22.2100.4820
18	28	4	SL	FKM	22.2200.2300
18	28	5	SL	NBR	22.2100.9976
18	28	6	SL	NBR	22.2100.1828
18	28	6	SL	FKM	22.2200.0189
18	28	7	SL	NBR	22.2100.0823
18	28	7	SL	FKM	22.2200.1828
18	28	7	DL	NBR	22.2110.2870
18	28	7	DL	FKM	22.2210.1829
18	28	7,5	DL	FKM	22.2210.1828
18	28	8	SL	FKM	22.2200.0014
18	28	8	DL	NBR	22.2110.1828
18	29	7	DL	NBR	22.2110.1829
18	30	6	SL	NBR	22.2100.0999
18	30	6	DL	NBR	22.2110.3060
18	30	7	SL	NBR	22.2100.1830
18	30	7	SL	FKM	22.2200.1830
18	30	7	DL	NBR	22.2110.0187
18	30	7	DL	FKM	22.2210.1830
18	30	8	DL	NBR	22.2110.0188
18	32	5	SL	FKM	22.2200.0341
18	32	6	DL	NBR	22.2110.3137
18	32	7	SL	NBR	22.2100.3218
18	32	7	DL	NBR	22.2110.0052
18	32	7	DL	FKM	22.2210.1832
18	32	8	SL	NBR	22.2100.1821
18	32	8	SL	FKM	22.2200.1285
18	32	8	DL	NBR	22.2110.8541
18	32	10	DL	NBR	22.2110.1832
18	35	5	SL	NBR	22.2100.9797
18	35	6	DL	NBR	22.2110.1835
18	35	7	SL	NBR	22.2100.0048
18	35	7	DL	NBR	22.2110.0184
18	35	8	SL	NBR	22.2100.8594
18	35	8	SL	FKM	22.2200.0188
18	35	8	DL	NBR	22.2110.0189
18	35	10	SL	NBR	22.2100.5942

ID: Inner Diameter
OD: Outer Diameter
H: Height

ID	OD	H	Type	Material	Item no.
18	35	10	SL	FKM	22.2200.0101
18	40	7	SL	NBR	22.2100.1648
18	40	7	SL	FKM	22.2200.4007
18	40	7	DL	NBR	22.2110.1854
18	40	7	DL	FKM	22.2210.1840
18	40	10	DL	NBR	22.2110.1654
18	42	7	DL	NBR	22.2110.5894
18	42	8	SL	NBR	22.2100.8745
18	42	8	SL	FKM	22.2200.1842
18	44	8	SL	NBR	22.2100.1844
18	47	10	DL	NBR	22.2110.1847
19	32	7	AEX SL	NBR	22.2300.1932
19	26	5,5	SL	NBR	22.2100.1926
19	27	6	SL	NBR	22.2100.1927
19	27	6	SL	FKM	22.2200.1927
19	27	6	DL	NBR	22.2110.1927
19	29	5	SL	NBR	22.2100.1929
19	29	6,5	SL	NBR	22.2100.1943
19	30	6	SL	NBR	22.2100.1930
19	30	6,5	DL	NBR	22.2110.0024
19	30	6,5	DL	FKM	22.2210.3019
19	30	7	DL	NBR	22.2110.0854
19	32	5	SL	NBR	22.2100.0685
19	32	6	SL	FKM	22.2200.1932
19	32	7	SL	NBR	22.2100.0882
19	32	7	SL	NBR	22.2100.1932
19	32	7	SL	FKM	22.2200.0197
19	32	7	DL	NBR	22.2110.1932
19	32	8	DL	NBR	22.2110.0564
19	32	10	SL	NBR	22.2100.5874
19	34	6	SL	NBR	22.2100.1934
19	34	6	SL	FKM	22.2200.1934
19	35	7	SL	NBR	22.2100.1935
19	35	7	DL	NBR	22.2110.0008
19	35	8	DL	NBR	22.2110.1935
19	35	10	SL	NBR	22.2100.5894
19	36	7	SL	NBR	22.2100.5126
19	36	8	SL	NBR	22.2100.1936
19	37	10	SL	NBR	22.2100.6464
19	38	7	DL	NBR	22.2110.0496
19	40	7	DL	NBR	22.2110.0433
19	40	10	SL	NBR	22.2100.1940
19	47	7	DL	NBR	22.2110.1947
19	47	10	DL	NBR	22.2110.0354
19,05	25,4	3,17	AEX SL SR	NBR	22.2155.1905
19,05	25,4	3,96	AEX SL	NBR	22.2300.1905

ID	OD	H	Type	Material	Item no.
19,05	31,75	6,35	AEX DL	NBR	22.2140.1905
19,05	34,92	6,35	AEX DL	NBR	22.2140.1934
20	26	4	AEX SL SR	NBR	22.2155.2026
20	26	4	AEX SL	NBR	22.2300.2026
20	28	4	AEX DL	NBR	22.2140.2028
20	29	9,5	AEX DL	NBR	22.2140.2029
20	30	5	AEX SL	NBR	22.2300.2305
20	30	7	AEX SL	NBR	22.2300.0207
20	31	7	AEX SL	NBR	22.2300.2031
20	35	7	AEX SL	NBR	22.2300.0357
20	35	7	AEX DL	NBR	22.2140.2068
20	35	8	AEX SL	FKM	22.2230.2035
20	35	10	AEX SL	NBR	22.2300.2010
20	47	10	T2 SL	NBR	22.2350.2047
20	52	10	T2 SL	NBR	22.2350.2052
20	26	4	AN SL SR	NBR	22.2122.2026
20	26	4	DL	NBR	22.2110.0012
20	26	5	DL	NBR	22.2110.2026
20	28	4	AN SL SR	NBR	22.2122.2028
20	28	4	SL	NBR	22.2100.2029
20	28	4	DL	NBR	22.2110.5974
20	28	5	SL	NBR	22.2100.4896
20	28	6	SL	NBR	22.2100.2028
20	28	6	DL	NBR	22.2110.2028
20	28	7	DL	NBR	22.2110.0456
20	30	4	SL	FKM	22.2200.0132
20	30	4,5	SL	NBR	22.2100.2031
20	30	4,5	DL	NBR	22.2110.2030
20	30	4,5	DL	FKM	22.2210.0203
20	30	5	SL	NBR	22.2100.2323
20	30	5	SL	FKM	22.2200.2030
20	30	5	DL	NBR	22.2110.0965
20	30	6	SL	NBR	22.2100.5546
20	30	6	DL	NBR	22.2110.0645
20	30	7	SL	NBR	22.2100.0203
20	30	7	SL	FKM	22.2200.2037
20	30	7	DL	NBR	22.2110.0020
20	30	7	DL	FKM	22.2210.2030
20	30	8	DL	NBR	22.2110.0208
20	31	7	DL	NBR	22.2110.2031
20	32	5	SL	NBR	22.2100.0874
20	32	5	DL	NBR	22.2110.0205
20	32	6	DL	NBR	22.2110.0684
20	32	6	DL	FKM	22.2210.0020
20	32	7	SL	NBR	22.2100.2027
20	32	7	SL	FKM	22.2200.2032

ID: Inner Diameter
OD: Outer Diameter
H: Height

ID	OD	H	Type	Material	Item no.
20	32	7	DL	NBR	22.2110.2032
20	32	7	DL	FKM	22.2210.2032
20	32	8	DL	NBR	22.2110.0987
20	34	6	DL	NBR	22.2110.2034
20	34	7	DL	NBR	22.2110.0087
20	35	4	SL SR	NBR	22.2160.2035
20	35	5	SL	NBR	22.2100.0974
20	35	5	DL	NBR	22.2110.3520
20	35	6	SL	NBR	22.2100.2035
20	35	6	DL	NBR	22.2110.9854
20	35	6	DL	FKM	22.2210.2035
20	35	7	SL	NBR	22.2100.2007
20	35	7	SL	FKM	22.2200.2039
20	35	7	DL	NBR	22.2110.2035
20	35	7	DL	FKM	22.2210.0854
20	35	8	SL	NBR	22.2100.0895
20	35	8	SL	FKM	22.2200.5141
20	35	8	DL	NBR	22.2110.0045
20	35	10	SL	FKM	22.2200.2035
20	35	10	DL	NBR	22.2110.2134
20	36	5	SL	NBR	22.2100.2036
20	36	7	SL	NBR	22.2100.3854
20	36	7	DL	NBR	22.2110.5874
20	36	8	DL	FKM	22.2210.2036
20	37	7	SL	NBR	22.2100.2456
20	37	7	DL	NBR	22.2110.2233
20	37	8	SL	NBR	22.2100.6854
20	37	8	SL	FKM	22.2200.6302
20	37	8	DL	NBR	22.2110.8063
20	37	10	SL	NBR	22.2100.6895
20	37	10	DL	NBR	22.2110.2854
20	38	5	DL	NBR	22.2110.0209
20	38	6	SL	FKM	22.2200.0386
20	38	7	SL	NBR	22.2100.7658
20	38	7	SL	FKM	22.2200.3514
20	38	7	DL	NBR	22.2110.5469
20	38	8	SL	NBR	22.2100.2038
20	38	8	SL	FKM	22.2200.2038
20	38	8	DL	NBR	22.2110.0388
20	38	10	DL	NBR	22.2110.3810
20	38	15	DL	NBR	22.2110.2038
20	39	4,5	DL	FKM	22.2210.2039
20	40	6	SL	FKM	22.2200.2006
20	40	6	DL	NBR	22.2110.0406
20	40	7	SL	NBR	22.2100.2040
20	40	7	SL	FKM	22.2200.2040

ID	OD	H	Type	Material	Item no.
20	40	7	DL	NBR	22.2110.0407
20	40	7	DL	FKM	22.2210.2040
20	40	8	SL	NBR	22.2100.2008
20	40	8	DL	NBR	22.2110.0408
20	40	9	DL	NBR	22.2110.0409
20	40	10	SL	NBR	22.2100.0222
20	40	10	SL	FKM	22.2200.2041
20	40	10	DL	NBR	22.2110.2294
20	40	10	DL	FKM	22.2210.0043
20	40	11	DL	NBR	22.2110.4011
20	42	6	SL	NBR	22.2100.2042
20	42	6	DL	NBR	22.2110.2042
20	42	7	SL	FKM	22.2200.2046
20	42	7	DL	NBR	22.2110.2293
20	42	7	DL	FKM	22.2210.2077
20	42	8	DL	NBR	22.2110.4280
20	42	10	SL	FKM	22.2200.2042
20	42	10	DL	NBR	22.2110.4054
20	42	12	DL	NBR	22.2110.2044
20	43	7,5	SL	NBR	22.2100.2043
20	45	7	DL	NBR	22.2110.1174
20	45	8	DL	NBR	22.2110.2045
20	45	10	SL	NBR	22.2100.2777
20	46	6	SL	NBR	22.2100.4660
20	47	4	SL	NBR	22.2100.2074
20	47	5	DL	NBR	22.2110.4750
20	47	5	DL	FKM	22.2210.0082
20	47	7	SL	NBR	22.2100.2047
20	47	7	SL	FKM	22.2200.2077
20	47	7	DL	NBR	22.2110.4770
20	47	7	DL	FKM	22.2210.2047
20	47	8	SL	FKM	22.2200.2047
20	47	8	DL	NBR	22.2110.4780
20	47	10	SL	NBR	22.2100.0047
20	47	10	DL	NBR	22.2110.1987
20	48	9	SL	NBR	22.2100.2048
20	52	7	SL	NBR	22.2100.2052
20	52	7	SL	FKM	22.2200.2052
20	52	7	DL	NBR	22.2110.5222
20	52	8	SL	NBR	22.2100.4654
20	52	8	DL	NBR	22.2110.0528
20	52	10	SL	NBR	22.2100.0205
20	52	10	SL	FKM	22.2200.2010
20	52	10	DL	NBR	22.2110.2222
20	54	7	DL	NBR	22.2110.6333
20	57	8	SL	NBR	22.2100.2057

ID: Inner Diameter
OD: Outer Diameter
H: Height

ID	OD	H	Type	Material	Item no.
20	60	10	SL	NBR	22.2100.2060
20	62	7	DL	FKM	22.2210.2007
20	62	10	DL	NBR	22.2110.2306
21	30	4	SL	NBR	22.2100.0189
21	30	6,5	SL	NBR	22.2100.4546
21	30	6,5	SL	FKM	22.2200.2130
21	31	4,5	SL	NBR	22.2100.3145
21	31	5	DL	NBR	22.2110.2131
21	32	5	SL	NBR	22.2100.3719
21	32	7	DL	NBR	22.2110.0213
21	35	7	SL	NBR	22.2100.4989
21	35	7	DL	NBR	22.2110.5071
21	35	10	SL	NBR	22.2100.6454
21	40	7	DL	NBR	22.2110.4477
21	40	10	SL	NBR	22.2100.2140
21	52	8	SL	NBR	22.2100.3000
22	28	4	AEX SL	NBR	22.2300.2228
22	32	7	AEX DL	NBR	22.2140.2232
22	28	4	AN SL SR	NBR	22.2122.2228
22	28	4	SL	NBR	22.2100.2228
22	29	4	AN SL SR	NBR	22.2122.0056
22	30	4	AN SL SR	NBR	22.2122.2230
22	30	4	SL	NBR	22.2100.0697
22	30	7	SL	NBR	22.2100.2317
22	30	7	DL	NBR	22.2110.3930
22	31	5	SL	NBR	22.2100.2231
22	32	4	SL	NBR	22.2100.2232
22	32	5	SL	NBR	22.2100.0333
22	32	5	DL	NBR	22.2110.8877
22	32	6	DL	NBR	22.2110.4125
22	32	7	SL	NBR	22.2100.0022
22	32	7	SL	FKM	22.2200.2232
22	32	7	DL	NBR	22.2110.3333
22	32	7	DL	FKM	22.2210.2232
22	32	8	DL	NBR	22.2110.2232
22	33	7	SL	NBR	22.2100.2233
22	34	6	DL	NBR	22.2110.2234
22	34	7	SL	NBR	22.2100.4443
22	35	5	SL	NBR	22.2100.0161
22	35	5	DL	NBR	22.2110.2235
22	35	5,5	SL	FKM	22.2200.4545
22	35	6	SL	NBR	22.2100.2203
22	35	6	DL	NBR	22.2110.3434
22	35	7	SL	NBR	22.2100.0223
22	35	7	SL	FKM	22.2200.2235
22	35	7	DL	NBR	22.2110.2325

ID	OD	H	Type	Material	Item no.
22	35	7	DL	FKM	22.2210.2235
22	35	8	SL	NBR	22.2100.2238
22	35	8	DL	NBR	22.2110.0022
22	35	10	SL	FKM	22.2200.9855
22	35	10	DL	NBR	22.2110.3256
22	36	7	DL	NBR	22.2110.3826
22	36	8	DL	NBR	22.2110.2236
22	36	10	DL	NBR	22.2110.0685
22	37	7	SL	NBR	22.2100.0857
22	37	7	DL	NBR	22.2110.3254
22	38	7	DL	NBR	22.2110.0068
22	38	8	DL	NBR	22.2110.6587
22	40	5	DL	NBR	22.2110.2240
22	40	7	SL	NBR	22.2100.5174
22	40	7	DL	NBR	22.2110.2354
22	40	7	DL	FKM	22.2210.2240
22	40	8	SL	NBR	22.2100.2240
22	40	8	DL	NBR	22.2110.0204
22	40	10	SL	NBR	22.2100.1205
22	40	10	SL	FKM	22.2200.7148
22	40	10	DL	NBR	22.2110.0032
22	42	7	SL	NBR	22.2100.0089
22	42	7	SL	FKM	22.2200.2242
22	42	7	DL	NBR	22.2110.0089
22	42	10	DL	NBR	22.2110.0857
22	42	11	DL	NBR	22.2110.0091
22	45	7	SL	NBR	22.2100.0875
22	45	7	SL	FKM	22.2200.2245
22	45	7	DL	NBR	22.2110.1574
22	45	8	SL	NBR	22.2100.2245
22	45	8	DL	NBR	22.2110.4567
22	47	7	SL	NBR	22.2100.2247
22	47	7	DL	NBR	22.2110.0521
22	47	10	SL	NBR	22.2100.0523
22	47	10	DL	NBR	22.2110.0587
22	48	7	DL	NBR	22.2110.5234
22	52	10	DL	NBR	22.2110.2252
22,23	33,35	6,35	AEX SL	NBR	22.2300.0042
22,23	34,93	6,35	AEX DL	NBR	22.2140.2222
22,23	41,25	6,35	AEX DL	NBR	22.2140.2223
23	42	10	T2 SL	NBR	22.2350.2342
23	35	6	SL	NBR	22.2100.8897
23	35	6	DL	NBR	22.2110.2356
23	35	7	DL	NBR	22.2110.2335
23	36	7	DL	NBR	22.2110.2336
23	37	7	SL	NBR	22.2100.2356

ID: Inner Diameter
OD: Outer Diameter
H: Height

ID	OD	H	Type	Material	Item no.
23	38	8	SL	FKM	22.2200.4784
23	40	5	DL	NBR	22.2110.2340
23	40	7	DL	NBR	22.2110.5184
23	40	8	SL	NBR	22.2100.2340
23	40	8	DL	NBR	22.2110.0574
23	40	10	SL	NBR	22.2100.9685
23	40	10	DL	NBR	22.2110.2310
23	42	10	DL	NBR	22.2110.2342
23	47	10	DL	NBR	22.2110.0048
23	48	10	DL	NBR	22.2110.2348
23	52	12	SL	NBR	22.2100.2352
24	32	7	AEX DL	NBR	22.2140.2432
24	36	5	AEX SL	NBR	22.2300.2436
24	36	9	AEX SL	NBR	22.2300.2439
24	42	10	T2 SL	NBR	22.2350.2442
24	45	10	AEX DL	NBR	22.2140.2445
24	32	4	AN SL SR	NBR	22.2122.2432
24	34	5,5	SL	NBR	22.2100.2434
24	35	6	SL	NBR	22.2100.2435
24	35	6	DL	NBR	22.2110.0981
24	35	7	SL	NBR	22.2100.0244
24	35	7	SL	FKM	22.2200.2435
24	35	7	DL	NBR	22.2110.2345
24	35	7	DL	FKM	22.2210.2435
24	35	8	DL	NBR	22.2110.9874
24	36	7	DL	NBR	22.2110.0098
24	37	7	SL	NBR	22.2100.0845
24	37	7	SL	FKM	22.2200.2437
24	37	7	DL	NBR	22.2110.0875
24	38	7	DL	NBR	22.2110.3854
24	38	8	DL	NBR	22.2110.0748
24	40	7	SL	NBR	22.2100.0024
24	40	7	SL	FKM	22.2200.2440
24	40	7	DL	NBR	22.2110.6754
24	40	7	DL	FKM	22.2210.2440
24	40	8	SL	NBR	22.2100.4844
24	40	8	DL	NBR	22.2110.2440
24	40	10	SL	NBR	22.2100.2440
24	40	10	DL	NBR	22.2110.0236
24	41	10	DL	NBR	22.2110.2441
24	42	7	DL	NBR	22.2110.0237
24	42	8	DL	NBR	22.2110.2442
24	42	10	SL	NBR	22.2100.2443
24	45	7	DL	NBR	22.2110.4690
24	45	8	DL	NBR	22.2110.2445
24	47	7	SL	NBR	22.2100.2447

ID	OD	H	Type	Material	Item no.
24	47	7	DL	NBR	22.2110.2447
24	47	10	DL	NBR	22.2110.8735
24	48	10	SL	NBR	22.2100.2448
24	50	10	DL	NBR	22.2110.2450
24	51	7	DL	NBR	22.2110.2451
24	52	10	SL	NBR	22.2100.2452
24	52	10	SL	FKM	22.2200.2452
24	52	10	DL	NBR	22.2110.0047
24	52	11	DL	NBR	22.2110.2456
25	34	5	AEX SL	NBR	22.2300.2534
25	35	4	AEX SL	NBR	22.2300.2554
25	35	7	AEX SL	NBR	22.2300.2537
25	37	7	AEX SL	NBR	22.2300.2577
25	38	7	AEX SL	NBR	22.2300.0387
25	38	7	AEX DL	NBR	22.2140.2538
25	40	6	AEX SL	NBR	22.2300.2546
25	40	7	AEX DL	NBR	22.2140.2540
25	40	8	AEX DL	NBR	22.2140.0258
25	42	10	T2 SL	NBR	22.2350.2542
25	47	7	AEX SL	NBR	22.2300.2547
25	47	7	AEX DL	NBR	22.2140.0477
25	47	10	AEX DL	NBR	22.2140.2547
25	47	10	T2 SL	NBR	22.2350.2547
25	50	12	AEX SL	NBR	22.2300.2550
25	52	7	AEX DL	NBR	22.2140.0510
25	62	7	AEX SL	NBR	22.2300.2562
25	32	4	AN SL SR	NBR	22.2122.2532
25	32	4	SL	NBR	22.2100.0253
25	32	4	DL	NBR	22.2110.0218
25	32	6	DL	NBR	22.2110.2532
25	32	6	DL	FKM	22.2210.2532
25	32	7	SL	NBR	22.2100.8546
25	32	7	DL	NBR	22.2110.2507
25	33	4	AN SL SR	NBR	22.2122.2533
25	33	4	SL	NBR	22.2100.4895
25	33	6	SL	NBR	22.2100.2533
25	33	6	SL	FKM	22.2200.2533
25	35	4	AN SL SR	NBR	22.2122.2535
25	35	5	SL	NBR	22.2100.2535
25	35	5	DL	NBR	22.2110.7845
25	35	6	SL	NBR	22.2100.0256
25	35	6	DL	NBR	22.2110.2535
25	35	6	DL	FKM	22.2210.2535
25	35	7	SL	NBR	22.2100.0257
25	35	7	SL	FKM	22.2200.2535
25	35	7	DL	NBR	22.2110.7841

ID: Inner Diameter
OD: Outer Diameter
H: Height

ID	OD	H	Type	Material	Item no.
25	35	7	DL	FKM	22.2210.0454
25	35	8	SL	FKM	22.2200.0185
25	35	8	DL	NBR	22.2110.4521
25	35	10	SL	NBR	22.2100.7489
25	36	6	DL	NBR	22.2110.2566
25	36	7	SL	NBR	22.2100.2536
25	36	7	SL	FKM	22.2200.2536
25	36	7	DL	NBR	22.2110.2536
25	36	8	DL	NBR	22.2110.0258
25	36	10	SL	NBR	22.2100.7541
25	36	10	DL	NBR	22.2110.7541
25	37	5	SL	NBR	22.2100.2526
25	37	5	SL	FKM	22.2200.2537
25	37	5	DL	NBR	22.2110.0375
25	37	6	DL	NBR	22.2110.2350
25	37	7	SL	NBR	22.2100.2537
25	37	7	SL	FKM	22.2200.8314
25	37	7	DL	NBR	22.2110.9001
25	37	8	DL	NBR	22.2110.9003
25	38	5	SL	NBR	22.2100.8956
25	38	7	SL	NBR	22.2100.2538
25	38	7	SL	FKM	22.2200.2538
25	38	7	DL	NBR	22.2110.2353
25	38	7	DL	FKM	22.2210.2538
25	38	8	DL	NBR	22.2110.9007
25	38	10	SL	NBR	22.2100.9007
25	38	10	DL	NBR	22.2110.2538
25	39	7	DL	NBR	22.2110.2539
25	40	4	SL SR	NBR	22.2160.2540
25	40	5	SL	NBR	22.2100.9009
25	40	5	DL	NBR	22.2110.9008
25	40	6	SL	NBR	22.2100.2546
25	40	6	DL	NBR	22.2110.2546
25	40	7	SL	NBR	22.2100.2540
25	40	7	SL	FKM	22.2200.2540
25	40	7	DL	NBR	22.2110.2540
25	40	7	DL	FKM	22.2210.2540
25	40	8	SL	NBR	22.2100.2541
25	40	8	SL	FKM	22.2200.0025
25	40	8	DL	NBR	22.2110.2548
25	40	9	DL	NBR	22.2110.1704
25	40	10	SL	NBR	22.2100.7002
25	40	10	SL	FKM	22.2200.2510
25	40	10	DL	NBR	22.2110.7002
25	41	6	DL	NBR	22.2110.2541
25	41	7	DL	NBR	22.2110.2367

ID	OD	H	Type	Material	Item no.
25	41	8	DL	NBR	22.2110.9999
25	41	10	SL	FKM	22.2200.2541
25	42	6	SL	NBR	22.2100.1382
25	42	6	SL	FKM	22.2200.1410
25	42	6	DL	NBR	22.2110.4598
25	42	7	SL	FKM	22.2200.2542
25	42	7	DL	NBR	22.2110.2542
25	42	7	DL	FKM	22.2210.2542
25	42	8	SL	NBR	22.2100.0025
25	42	8	DL	NBR	22.2110.4681
25	42	8	DL	FKM	22.2210.1245
25	42	10	SL	NBR	22.2100.0254
25	42	10	SL	FKM	22.2200.2543
25	42	10	DL	NBR	22.2110.0025
25	42	10	DL	FKM	22.2210.2543
25	43	8	DL	NBR	22.2110.0018
25	43	9	SL	NBR	22.2100.2543
25	43	9	SL	FKM	22.2200.1485
25	43	10	DL	NBR	22.2110.2543
25	44	7	DL	NBR	22.2110.2544
25	45	7	SL	NBR	22.2100.2545
25	45	7	SL	FKM	22.2200.2310
25	45	7	DL	NBR	22.2110.2545
25	45	7	DL	FKM	22.2210.2310
25	45	8	DL	NBR	22.2110.2389
25	45	10	SL	NBR	22.2100.1499
25	45	10	DL	NBR	22.2110.1486
25	45	10	DL	FKM	22.2210.2545
25	45	11	SL	NBR	22.2100.5548
25	46	7	SL	FKM	22.2200.2546
25	46	7	DL	NBR	22.2110.0467
25	46	10	DL	NBR	22.2110.0046
25	47	6	SL	NBR	22.2100.0045
25	47	6	DL	NBR	22.2110.0476
25	47	6	DL	FKM	22.2210.0034
25	47	7	SL	NBR	22.2100.2547
25	47	7	SL	FKM	22.2200.2548
25	47	7	DL	NBR	22.2110.2547
25	47	7	DL	FKM	22.2210.2547
25	47	8	DL	NBR	22.2110.0478
25	47	10	SL	NBR	22.2100.2507
25	47	10	SL	FKM	22.2200.2571
25	47	10	DL	NBR	22.2110.0471
25	47	10	DL	FKM	22.2210.2571
25	48	8	SL	NBR	22.2100.2548
25	48	8	DL	NBR	22.2110.2508

ID: Inner Diameter
OD: Outer Diameter
H: Height

ID	OD	H	Type	Material	Item no.
25	50	7	SL	FKM	22.2200.1100
25	50	8	DL	NBR	22.2110.3271
25	50	10	SL	FKM	22.2200.2550
25	50	10	DL	NBR	22.2110.0255
25	52	5	DL	NBR	22.2110.0182
25	52	7	SL	NBR	22.2100.2552
25	52	7	SL	FKM	22.2200.2552
25	52	7	DL	NBR	22.2110.2052
25	52	7	DL	FKM	22.2210.2552
25	52	8	SL	NBR	22.2100.5208
25	52	8	SL	FKM	22.2200.0985
25	52	8	DL	NBR	22.2110.2552
25	52	10	SL	NBR	22.2100.2505
25	52	10	DL	NBR	22.2110.5210
25	52	12	SL	NBR	22.2100.9749
25	52	12	DL	NBR	22.2110.5212
25	55	9	DL	NBR	22.2110.4490
25	55	10	DL	NBR	22.2110.2555
25	60	7	SL	NBR	22.2100.2560
25	60	10	DL	NBR	22.2110.0536
25	62	7	SL	NBR	22.2100.6207
25	62	7	SL	FKM	22.2200.0095
25	62	7	DL	NBR	22.2110.2562
25	62	7	DL	FKM	22.2210.2562
25	62	8	SL	NBR	22.2100.0148
25	62	8	SL	FKM	22.2200.3210
25	62	8	DL	NBR	22.2110.6208
25	62	10	SL	NBR	22.2100.2562
25	62	10	SL	FKM	22.2200.2562
25	62	10	DL	NBR	22.2110.0621
25	72	7	SL	NBR	22.2100.2572
25	80	9	SL	NBR	22.2100.0838
25,4	38,1	6,35	AEX DL	NBR	22.2140.0254
25,4	44,45	9,52	AEX DL	NBR	22.2140.2544
25,4	44,5	6,35	AEX DL	NBR	22.2140.0025
25,4	50,8	9,53	AEX DL	NBR	22.2140.2550
26	34	4	AN SL SR	NBR	22.2122.2634
26	34	4	SL	FKM	22.2200.2634
26	35	7	SL	NBR	22.2100.2635
26	35	7	DL	NBR	22.2110.3507
26	36	7	DL	NBR	22.2110.2636
26	37	7	SL	NBR	22.2100.5688
26	37	7	DL	NBR	22.2110.5687
26	37	7	DL	FKM	22.2210.2637
26	38	5	DL	NBR	22.2110.5689
26	38	7	DL	NBR	22.2110.5691

ID	OD	H	Type	Material	Item no.
26	38	8	DL	NBR	22.2110.5692
26	40	6	SL	NBR	22.2100.5694
26	40	6	DL	NBR	22.2110.5695
26	40	7	DL	NBR	22.2110.5696
26	40	9	DL	NBR	22.2110.5699
26	42	7	SL	NBR	22.2100.2642
26	42	7	DL	NBR	22.2110.5700
26	42	7	DL	FKM	22.2210.2642
26	42	8	DL	NBR	22.2110.5702
26	42	10	SL	NBR	22.2100.5704
26	45	7	SL	NBR	22.2100.5706
26	45	9	DL	NBR	22.2110.0269
26	47	7	SL	NBR	22.2100.5709
26	47	7	DL	NBR	22.2110.5708
26	47	7	DL	FKM	22.2210.2647
26	47	10	SL	NBR	22.2100.5712
26	47	10	DL	NBR	22.2110.5711
26	48	7	DL	NBR	22.2110.5713
26	52	8	DL	NBR	22.2110.5714
26	52	10	DL	FKM	22.2210.2652
27	37	5	AEX DL	NBR	22.2140.2737
27	42	10	AEX SL	NBR	22.2300.2742
27	52	8	AEX SL	NBR	22.2300.2752
27	35	7	SL	NBR	22.2100.8489
27	35	7	SL	FKM	22.2200.8471
27	36	6	DL	NBR	22.2110.5717
27	37	7	SL	NBR	22.2100.2336
27	38	6	SL	NBR	22.2100.9887
27	38	7	DL	NBR	22.2110.2738
27	40	6	DL	NBR	22.2110.5719
27	40	7	SL	NBR	22.2100.2740
27	40	7	DL	NBR	22.2110.5720
27	40	8	DL	NBR	22.2110.5721
27	41	10	SL	NBR	22.2100.5723
27	41	10	SL	FKM	22.2200.2741
27	42	7	SL	NBR	22.2100.2742
27	42	7	DL	NBR	22.2110.8000
27	42	10	SL	NBR	22.2100.8002
27	42	10	DL	NBR	22.2110.8001
27	43	8	DL	NBR	22.2110.8003
27	45	8	DL	NBR	22.2110.8006
27	47	6	DL	NBR	22.2110.5718
27	47	7	DL	NBR	22.2110.2747
27	47	8	SL	NBR	22.2100.8003
27	47	8	SL	FKM	22.2200.2747
27	47	8	DL	NBR	22.2110.1002

ID: Inner Diameter
OD: Outer Diameter
H: Height

ID	OD	H	Type	Material	Item no.
27	47	10	SL	NBR	22.2100.8004
27	50	10	DL	NBR	22.2110.2750
27	52	8	SL	FKM	22.2200.8274
27	53	7	DL	NBR	22.2110.2753
27	55	8	DL	NBR	22.2110.8050
28	35	5	AEX DL	NBR	22.2140.2835
28	38	7	AEX SL	NBR	22.2300.2838
28	39	6	AEX SL SR	NBR	22.2155.2839
28	39	7	AEX SL	NBR	22.2300.2839
28	40	8	AEX SL	NBR	22.2300.2848
28	47	7	AEX SL	NBR	22.2300.2877
28	47	10	AEX DL	NBR	22.2140.2847
28	47	10	T2 SL	NBR	22.2350.2847
28	58	7	AEX SL	NBR	22.2300.2858
28	35	4	AN SL SR	NBR	22.2122.2835
28	35	5	DL	NBR	22.2110.8051
28	35	7	DL	NBR	22.2110.8052
28	37	4	AN SL SR	NBR	22.2122.2837
28	37	5	DL	NBR	22.2110.8053
28	37	6	DL	NBR	22.2110.8054
28	38	6	SL	NBR	22.2100.3698
28	38	7	SL	NBR	22.2100.2838
28	38	7	SL	FKM	22.2200.2838
28	38	7	DL	NBR	22.2110.8057
28	38	7	DL	FKM	22.2210.2838
28	38	8	SL	NBR	22.2100.8854
28	40	5	SL	FKM	22.2200.0541
28	40	5	DL	NBR	22.2110.8060
28	40	7	SL	NBR	22.2100.2841
28	40	7	SL	FKM	22.2200.2840
28	40	7	DL	NBR	22.2110.2840
28	40	7	DL	FKM	22.2210.2840
28	40	8	SL	NBR	22.2100.4557
28	40	8	DL	NBR	22.2110.8749
28	40	10	SL	NBR	22.2100.8797
28	40	10	SL	FKM	22.2200.3099
28	40	10	DL	NBR	22.2110.4165
28	42	6	DL	NBR	22.2110.2842
28	42	7	SL	NBR	22.2100.4674
28	42	7	SL	FKM	22.2200.2445
28	42	7	DL	NBR	22.2110.0656
28	42	8	SL	NBR	22.2100.7648
28	42	8	DL	NBR	22.2110.6151
28	42	10	SL	FKM	22.2200.0015
28	42	10	DL	NBR	22.2110.9556
28	43	8	DL	NBR	22.2110.0385

ID	OD	H	Type	Material	Item no.
28	43	10	SL	NBR	22.2100.4655
28	43	10	DL	NBR	22.2110.8546
28	44	7	DL	NBR	22.2110.2844
28	44	10	SL	FKM	22.2200.2844
28	45	6	DL	NBR	22.2110.4357
28	45	7	DL	NBR	22.2110.3523
28	45	8	SL	NBR	22.2100.2845
28	45	8	DL	NBR	22.2110.4513
28	45	10	DL	NBR	22.2110.4762
28	46	10	SL	NBR	22.2100.6352
28	47	5	SL	NBR	22.2100.1862
28	47	7	SL	NBR	22.2100.2847
28	47	7	SL	FKM	22.2200.2104
28	47	7	DL	NBR	22.2110.7183
28	47	7	DL	FKM	22.2210.2847
28	47	8	DL	NBR	22.2110.4815
28	47	10	SL	NBR	22.2100.3862
28	47	10	SL	FKM	22.2200.2847
28	47	10	DL	NBR	22.2110.6613
28	47	10	DL	FKM	22.2210.2848
28	48	5	SL	NBR	22.2100.6024
28	48	8	DL	NBR	22.2110.7103
28	48	10	SL	NBR	22.2100.2848
28	48	11	DL	NBR	22.2110.3183
28	50	8	SL	NBR	22.2100.0545
28	50	10	SL	NBR	22.2100.9862
28	50	11	DL	NBR	22.2110.2850
28	52	6	SL	NBR	22.2100.0753
28	52	7	SL	NBR	22.2100.2852
28	52	7	DL	NBR	22.2110.1227
28	52	7	DL	FKM	22.2210.2852
28	52	10	SL	NBR	22.2100.8862
28	52	10	DL	NBR	22.2110.3587
28	55	10	DL	NBR	22.2110.2855
28	62	10	SL	NBR	22.2100.2862
28	62	12	SL	NBR	22.2100.4545
28,58	41,28	6,35	AEX SL	NBR	22.2300.2876
28,58	61,93	9,53	T2 DL	NBR	22.2354.2858
29	40	7	DL	NBR	22.2110.2940
29	42	7	SL	NBR	22.2100.8467
29	42	7	SL	FKM	22.2200.2942
29	43	7	SL	NBR	22.2100.1484
29	45	7	SL	NBR	22.2100.2738
29	45	8	DL	NBR	22.2110.9924
29	45	9	DL	NBR	22.2110.2945
29	46	10	SL	NBR	22.2100.3906

ID: Inner Diameter
 OD: Outer Diameter
 H: Height

ID	OD	H	Type	Material	Item no.
29	46	10	DL	NBR	22.2110.2946
29	47	8	DL	NBR	22.2110.0436
29	47	10	SL	NBR	22.2100.2947
29	47	10	DL	NBR	22.2110.2947
29	50	8	DL	NBR	22.2110.0295
29	50	10	SL	FKM	22.2200.3950
29	52	9	SL	NBR	22.2100.2952
29	55	9	SL	NBR	22.2100.2955
29	55	9	SL	FKM	22.2200.2955
29	62	10	SL	NBR	22.2100.2962
29	62	10	SL	FKM	22.2200.2962
30	37	4	AEX SL	NBR	22.2300.3037
30	40	7	AEX DL	NBR	22.2140.0307
30	42	7	AEX SL	NBR	22.2300.3042
30	42	7	AEX DL	NBR	22.2140.0427
30	44	7	AEX DL	NBR	22.2140.3044
30	47	7	AEX SL	NBR	22.2300.0477
30	47	7	AEX DL	NBR	22.2140.7077
30	50	7	AEX SL	NBR	22.2300.3050
30	50	7	AEX DL	NBR	22.2140.3050
30	50	10	T2 SL	NBR	22.2350.3050
30	52	7	AEX SL	NBR	22.2300.3052
30	52	7	AEX DL	NBR	22.2140.3052
30	52	10	AEX SL	NBR	22.2300.0521
30	55	7	AEX DL	NBR	22.2140.0557
30	55	12	AEX SL	NBR	22.2300.5512
30	56	10	T2 SL	NBR	22.2350.0305
30	62	7	AEX DL	NBR	22.2140.0062
30	62	9	T2 SL	NBR	22.2350.3062
30	62	10	AEX DL	NBR	22.2140.3062
30	72	10	AEX DL	NBR	22.2140.0094
30	72	12	AEX DL	NBR	22.2140.9999
30	36	5	SL	NBR	22.2100.3036
30	37	4	AN SL SR	NBR	22.2122.3037
30	37	4	SL SR	NBR	22.2160.3037
30	37	4	SL	NBR	22.2100.3037
30	38	4	SL SR	NBR	22.2160.3038
30	38	4	SL	NBR	22.2100.3038
30	38	4	DL	NBR	22.2110.3038
30	38	7	DL	NBR	22.2110.0383
30	40	4	AN SL SR	NBR	22.2122.3040
30	40	4	SL SR	NBR	22.2160.3040
30	40	4	SL	NBR	22.2100.3040
30	40	5	SL	NBR	22.2100.5445
30	40	5	SL	FKM	22.2200.0304
30	40	5	DL	NBR	22.2110.8759

ID	OD	H	Type	Material	Item no.
30	40	7	SL	NBR	22.2100.0304
30	40	7	SL	FKM	22.2200.3040
30	40	7	DL	NBR	22.2110.3040
30	40	7	DL	FKM	22.2210.3040
30	40	8	SL	NBR	22.2100.7458
30	40	10	SL	NBR	22.2100.4455
30	41	7	DL	NBR	22.2110.7585
30	42	5	DL	NBR	22.2110.3546
30	42	6	SL	NBR	22.2100.0057
30	42	6	DL	NBR	22.2110.2003
30	42	6	DL	FKM	22.2210.0206
30	42	7	SL	NBR	22.2100.0030
30	42	7	SL	FKM	22.2200.3042
30	42	7	DL	NBR	22.2110.3000
30	42	7	DL	FKM	22.2210.0052
30	42	7	DL	FKM	22.2210.3042
30	42	8	SL	NBR	22.2100.0219
30	42	8	DL	NBR	22.2110.0319
30	42	8	DL	FKM	22.2210.0784
30	42	10	DL	NBR	22.2110.0318
30	43	8	SL	NBR	22.2100.0216
30	43	8	DL	NBR	22.2110.0316
30	43	10	DL	NBR	22.2110.0314
30	44	7	DL	NBR	22.2110.0313
30	44	10	SL	NBR	22.2100.0214
30	44	10	SL	FKM	22.2200.3044
30	44	10	DL	NBR	22.2110.3044
30	45	5	SL	NBR	22.2100.3045
30	45	5	DL	NBR	22.2110.3045
30	45	5	DL	FKM	22.2210.0141
30	45	6	SL	NBR	22.2100.0212
30	45	6	DL	NBR	22.2110.0311
30	45	7	SL	NBR	22.2100.0754
30	45	7	DL	NBR	22.2110.0310
30	45	7	DL	FKM	22.2210.3045
30	45	8	SL	NBR	22.2100.0301
30	45	8	SL	FKM	22.2200.3045
30	45	8	DL	NBR	22.2110.0309
30	45	10	SL	NBR	22.2100.0208
30	45	10	DL	NBR	22.2110.0308
30	46	5	DL	NBR	22.2110.3046
30	46	7	DL	NBR	22.2110.0331
30	46	8	DL	NBR	22.2110.0332
30	46	9	SL	NBR	22.2100.0285
30	47	5	SL	NBR	22.2100.0233
30	47	5	DL	NBR	22.2110.3055

ID: Inner Diameter
OD: Outer Diameter
H: Height

ID	OD	H	Type	Material	Item no.
30	47	6	SL	NBR	22.2100.0234
30	47	6	DL	NBR	22.2110.0333
30	47	7	AN SL SR	NBR	22.2122.3047
30	47	7	SL	NBR	22.2100.3047
30	47	7	SL	FKM	22.2200.3041
30	47	7	DL	NBR	22.2110.3047
30	47	7	DL	FKM	22.2210.3047
30	47	8	SL	NBR	22.2100.3007
30	47	8	SL	FKM	22.2200.0055
30	47	8	DL	NBR	22.2110.0335
30	47	10	SL	NBR	22.2100.0302
30	47	10	SL	FKM	22.2200.3047
30	47	10	DL	NBR	22.2110.0337
30	48	7	DL	NBR	22.2110.0338
30	48	8	SL	NBR	22.2100.3048
30	48	8	DL	NBR	22.2110.0339
30	48	10	DL	NBR	22.2110.0340
30	50	7	SL	NBR	22.2100.0242
30	50	7	SL	FKM	22.2200.0241
30	50	7	DL	NBR	22.2110.0342
30	50	7	DL	FKM	22.2210.0241
30	50	8	SL	NBR	22.2100.0243
30	50	8	SL	FKM	22.2200.3055
30	50	8	DL	NBR	22.2110.0243
30	50	10	SL	NBR	22.2100.3050
30	50	10	SL	FKM	22.2200.3050
30	50	10	DL	NBR	22.2110.0344
30	50	12	SL	NBR	22.2100.0263
30	50	12	DL	NBR	22.2110.0263
30	51	8	DL	NBR	22.2110.3051
30	52	5	SL	NBR	22.2100.0262
30	52	6	SL	NBR	22.2100.9641
30	52	6	SL	FKM	22.2200.0140
30	52	7	SL	NBR	22.2100.3052
30	52	7	SL	FKM	22.2200.3052
30	52	7	DL	NBR	22.2110.3052
30	52	7	DL	FKM	22.2210.0527
30	52	8	DL	NBR	22.2110.0360
30	52	8,5	SL	NBR	22.2100.5230
30	52	10	SL	NBR	22.2100.0309
30	52	10	DL	NBR	22.2110.0608
30	52	10	DL	NBR	22.2110.9653
30	52	10	DL	FKM	22.2210.3052
30	52	12	SL	NBR	22.2100.0662
30	52	12	DL	NBR	22.2110.6291
30	54	10	SL	NBR	22.2100.5404

ID	OD	H	Type	Material	Item no.
30	54	10	DL	NBR	22.2110.7651
30	55	6	DL	NBR	22.2110.8410
30	55	7	SL	NBR	22.2100.5316
30	55	7	SL	FKM	22.2200.4857
30	55	7	DL	NBR	22.2110.5214
30	55	8	DL	NBR	22.2110.6545
30	55	10	SL	NBR	22.2100.3055
30	55	10	DL	NBR	22.2110.5646
30	55	10	DL	FKM	22.2210.3055
30	55	11	DL	NBR	22.2110.3585
30	55	12	DL	NBR	22.2110.5856
30	56	6	DL	NBR	22.2110.3056
30	56	7	SL	NBR	22.2100.5876
30	56	10	SL	NBR	22.2100.6578
30	56	10	DL	NBR	22.2110.6578
30	57	8	SL	NBR	22.2100.6545
30	57	8	SL	FKM	22.2200.9581
30	58	10	DL	NBR	22.2110.2810
30	60	10	SL	NBR	22.2100.5856
30	60	10	SL	FKM	22.2200.3061
30	60	10	DL	NBR	22.2110.6010
30	60	12	DL	NBR	22.2110.3213
30	62	5	SL	NBR	22.2100.2131
30	62	7	SL	NBR	22.2100.3062
30	62	7	SL	FKM	22.2200.9841
30	62	7	DL	NBR	22.2110.5456
30	62	7	DL	FKM	22.2210.3062
30	62	8	SL	NBR	22.2100.3063
30	62	8	DL	NBR	22.2110.5187
30	62	9	DL	NBR	22.2110.3062
30	62	10	SL	NBR	22.2100.0306
30	62	10	SL	FKM	22.2200.3064
30	62	10	DL	NBR	22.2110.4753
30	62	10	DL	FKM	22.2210.0196
30	62	12	SL	NBR	22.2100.3061
30	62	12	DL	NBR	22.2110.8774
30	65	8	SL	NBR	22.2100.6565
30	65	8	DL	NBR	22.2110.6565
30	65	10	DL	NBR	22.2110.6585
30	70	10	DL	NBR	22.2110.8933
30	72	8	DL	NBR	22.2110.8798
30	72	8	DL	FKM	22.2210.3072
30	72	10	SL	NBR	22.2100.0087
30	72	10	SL	FKM	22.2200.3072
30	72	10	DL	NBR	22.2110.8745
30	75	9	DL	NBR	22.2110.3075

ID: Inner Diameter
OD: Outer Diameter
H: Height

ID	OD	H	Type	Material	Item no.
30	77	9	DL	NBR	22.2110.3077
30	77	10	DL	NBR	22.2110.8484
30	80	10	DL	NBR	22.2110.3080
31	42	8	SL	NBR	22.2100.3142
31	46	6	DL	NBR	22.2110.3146
31	47	7	SL	FKM	22.2200.3147
31	47	7	DL	NBR	22.2110.3147
31	47	8	DL	NBR	22.2110.5876
31	48	7	DL	NBR	22.2110.6598
31	48	10	DL	NBR	22.2110.2965
31	52	6	SL	NBR	22.2100.6145
31	52	7	DL	NBR	22.2110.7447
31	52	9	SL	NBR	22.2100.8574
31,75	44,45	6,35	AEX SL	NBR	22.2300.3175
31,75	47,63	6,35	AEX DL	NBR	22.2140.3147
31,75	50,8	6,35	AEX DL	NBR	22.2140.0319
31,75	50,8	9,52	T2 SL	NBR	22.2350.3175
32	42	4	AEX SL SR	NBR	22.2155.3242
32	42	7	AEX DL	NBR	22.2140.3242
32	47	9	T2 SL	NBR	22.2350.3247
32	48	7	AEX SL	NBR	22.2300.3247
32	52	6,5	AEX SL	NBR	22.2300.5265
32	52	7	AEX DL	NBR	22.2140.3252
32	56	12	T2 SL	NBR	22.2350.0321
32	40	5	SL	NBR	22.2100.3240
32	40	7	DL	NBR	22.2110.3240
32	42	4	AN SL SR	NBR	22.2122.3242
32	42	5	SL	NBR	22.2100.3242
32	42	5	DL	NBR	22.2110.0751
32	42	6	DL	NBR	22.2110.5964
32	42	7	SL	NBR	22.2100.6455
32	42	7	DL	NBR	22.2110.8659
32	42	8	DL	NBR	22.2110.6549
32	43	5,5	DL	NBR	22.2110.3243
32	43	7	DL	NBR	22.2110.4685
32	44	7	DL	NBR	22.2110.5748
32	44	8	DL	NBR	22.2110.4857
32	44	10	DL	NBR	22.2110.3244
32	45	4	AN SL SR	NBR	22.2122.3245
32	45	6	SL	NBR	22.2100.2362
32	45	6	SL	FKM	22.2200.2888
32	45	7	SL	NBR	22.2100.3245
32	45	7	SL	FKM	22.2200.3245
32	45	7	DL	NBR	22.2110.3265
32	45	7	DL	FKM	22.2210.3245
32	45	8	SL	NBR	22.2100.7043

ID	OD	H	Type	Material	Item no.
32	45	8	DL	NBR	22.2110.5453
32	45	10	SL	NBR	22.2100.8731
32	45	10	DL	NBR	22.2110.5062
32	46	7	DL	NBR	22.2110.0652
32	47	7	SL	NBR	22.2100.0324
32	47	7	SL	FKM	22.2200.3247
32	47	7	DL	NBR	22.2110.4333
32	47	7	DL	FKM	22.2210.3247
32	47	8	SL	NBR	22.2100.1065
32	47	8	DL	NBR	22.2110.6521
32	47	10	SL	FKM	22.2200.3248
32	47	10	DL	NBR	22.2110.3715
32	48	5	SL	NBR	22.2100.0748
32	48	7	DL	NBR	22.2110.3248
32	48	8	SL	NBR	22.2100.3265
32	48	8	DL	NBR	22.2110.5746
32	50	7	SL	NBR	22.2100.5465
32	50	7	SL	FKM	22.2200.6001
32	50	7	DL	NBR	22.2110.5465
32	50	8	SL	NBR	22.2100.3250
32	50	8	SL	FKM	22.2200.0396
32	50	8	DL	NBR	22.2110.2601
32	50	10	SL	NBR	22.2100.0032
32	50	10	DL	NBR	22.2110.7578
32	50	10	DL	FKM	22.2210.3250
32	50	12	SL	FKM	22.2200.3232
32	51	8	SL	NBR	22.2100.4578
32	51	8	DL	NBR	22.2110.5140
32	52	7	SL	NBR	22.2100.3252
32	52	7	SL	FKM	22.2200.3251
32	52	7	DL	NBR	22.2110.3252
32	52	7	DL	FKM	22.2210.3251
32	52	7,5	SL	NBR	22.2100.3200
32	52	8	DL	NBR	22.2110.4545
32	52	9	SL	NBR	22.2100.5254
32	52	10	SL	NBR	22.2100.3659
32	52	10	SL	FKM	22.2200.3252
32	52	12	SL	NBR	22.2100.3264
32	54	8	SL	NBR	22.2100.3254
32	54	10	DL	NBR	22.2110.1245
32	55	7	DL	NBR	22.2110.0741
32	55	8	DL	NBR	22.2110.4783
32	55	10	SL	NBR	22.2100.4593
32	55	10	DL	NBR	22.2110.3255
32	55	11	DL	NBR	22.2110.5645
32	56	10	DL	NBR	22.2110.6527

ID: Inner Diameter
OD: Outer Diameter
H: Height

ID	OD	H	Type	Material	Item no.
32	57	9,5	SL	FKM	22.2200.3257
32	58	10	DL	NBR	22.2110.3258
32	60	10	DL	NBR	22.2110.3260
32	62	6	SL	NBR	22.2100.5645
32	62	7	DL	NBR	22.2110.3262
32	62	8	SL	NBR	22.2100.6859
32	62	8	DL	NBR	22.2110.6859
32	62	10	SL	NBR	22.2100.3262
32	62	10	SL	FKM	22.2200.3262
32	65	9	DL	NBR	22.2110.8888
32	65	13	DL	FKM	22.2210.3265
32	66	10	SL	NBR	22.2100.0326
32	72	8	DL	NBR	22.2110.8880
32	72	10	DL	NBR	22.2110.8881
33	43	7	SL	NBR	22.2100.3343
33	43	7	SL	FKM	22.2200.3343
33	44	8	DL	NBR	22.2110.8885
33	45	7	SL	NBR	22.2100.8880
33	45	7	SL	FKM	22.2200.3345
33	48	12	SL	NBR	22.2100.3348
33	50	6	SL	NBR	22.2100.1350
33	50	6	SL	FKM	22.2200.3350
33	50	6	DL	NBR	22.2110.8886
33	50	7	DL	NBR	22.2110.3350
33	50	8	SL	FKM	22.2200.3358
33	50	8	DL	NBR	22.2110.8887
33	50	10	DL	NBR	22.2110.3310
33	50	10	DL	FKM	22.2210.3350
33	50	12	DL	NBR	22.2110.9888
33	52	6	SL	NBR	22.2100.5858
33	52	6	SL	FKM	22.2200.3352
33	52	6	DL	FKM	22.2210.0230
33	52	8	SL	FKM	22.2200.0364
33	52	8	DL	NBR	22.2110.2263
33	52	10	DL	NBR	22.2110.3352
33	55	10	SL	NBR	22.2100.1492
34	46	8	AEX SL	NBR	22.2300.3446
34	52	10	T2 SL	NBR	22.2350.3452
34	72	12	T2 SL	NBR	22.2350.3472
34	44	6	SL	NBR	22.2100.3444
34	44	7	SL	NBR	22.2100.2359
34	45	7	SL	NBR	22.2100.3445
34	45	7	DL	NBR	22.2110.3445
34	45	8	DL	NBR	22.2110.3408
34	46	8	SL	NBR	22.2100.3446
34	46	8	DL	NBR	22.2110.3446

ID	OD	H	Type	Material	Item no.
34	46	10	SL	NBR	22.2100.4610
34	46	10	SL	FKM	22.2200.3446
34	47	7	DL	NBR	22.2110.3447
34	47	9	SL	NBR	22.2100.4817
34	48	7	DL	NBR	22.2110.3448
34	48	8	SL	NBR	22.2100.3448
34	48	8	DL	NBR	22.2110.4808
34	48	11	DL	NBR	22.2110.0230
34	49	8	SL	FKM	22.2200.3449
34	50	7	DL	NBR	22.2110.3450
34	50	8	DL	NBR	22.2110.5034
34	50	10	SL	NBR	22.2100.5010
34	50	10	SL	FKM	22.2200.3450
34	51	8	SL	NBR	22.2100.3451
34	52	7	DL	NBR	22.2110.0562
34	52	7,5	SL	NBR	22.2100.0034
34	52	7,5	SL	FKM	22.2200.0034
34	52	7,5	DL	NBR	22.2110.0097
34	52	8	SL	NBR	22.2100.0528
34	52	8	SL	FKM	22.2200.3453
34	52	8	DL	NBR	22.2110.3452
34	52	10	SL	NBR	22.2100.3452
34	52	10	DL	NBR	22.2110.9471
34	52	11	DL	NBR	22.2110.5211
34	54	10	DL	NBR	22.2110.3410
34	54	11	DL	NBR	22.2110.5411
34	55	7	SL	NBR	22.2100.9876
34	55	9	DL	NBR	22.2110.3733
34	62	7	SL	NBR	22.2100.6514
34	62	10	SL	NBR	22.2100.3462
34	62	10	SL	FKM	22.2200.3462
34	72	10	DL	NBR	22.2110.3472
35	42	4	AEX SL	NBR	22.2300.3542
35	45	6	AEX DL	NBR	22.2140.3545
35	45	7	AEX SL	NBR	22.2300.0354
35	47	6	AEX SL	NBR	22.2300.0356
35	47	7	AEX SL	NBR	22.2300.3547
35	50	7	AEX DL	NBR	22.2140.0095
35	50	10	AEX SL	NBR	22.2300.3550
35	50	10	AEX DL	NBR	22.2140.3550
35	50	12	AEX SL	NBR	22.2300.3551
35	52	10	AEX DL	NBR	22.2140.3510
35	52	12	AEX DL	NBR	22.2140.5212
35	52	12	T2 SL	NBR	22.2350.0356
35	55	8	AEX DL	NBR	22.2140.3555
35	56	10	AEX DL	NBR	22.2140.3556

ID: Inner Diameter
OD: Outer Diameter
H: Height

ID	OD	H	Type	Material	Item no.
35	56	12	AEX DL	NBR	22.2140.3512
35	58	10	AEX SL	NBR	22.2300.3558
35	60	10	AEX SL	NBR	22.2300.3560
35	60	10	T2 SL	NBR	22.2350.3560
35	60	12	T2 SL	NBR	22.2350.0351
35	62	5	AEX SL	NBR	22.2300.3565
35	62	7	AEX SL	NBR	22.2300.0627
35	62	7	AEX DL	NBR	22.2140.0627
35	62	8	AEX SL	NBR	22.2300.3568
35	62	10	AEX DL	NBR	22.2140.3562
35	62	12	AEX SL	NBR	22.2300.3562
35	62	12	AEX DL	NBR	22.2140.3662
35	72	10	AEX SL	NBR	22.2300.3572
35	72	10	AEX DL	NBR	22.2140.3333
35	72	12	AEX SL	NBR	22.2300.7212
35	80	13	AEX DL	NBR	22.2140.3580
35	81	10	AEX DL	NBR	22.2140.0096
35	42	4	AN SL SR	NBR	22.2122.3542
35	42	8	DL	NBR	22.2110.3598
35	44	6	SL	NBR	22.2100.3544
35	44	7	SL	FKM	22.2200.3544
35	45	4	AN SL SR	NBR	22.2122.3545
35	45	6	SL	NBR	22.2100.3545
35	45	7	SL	NBR	22.2100.0354
35	45	7	SL	FKM	22.2200.3545
35	45	7	DL	NBR	22.2110.3545
35	45	7	DL	FKM	22.2210.0026
35	45	8	DL	NBR	22.2110.4508
35	45	10	SL	NBR	22.2100.0069
35	46	6,5	SL	NBR	22.2100.3566
35	47	5	SL	NBR	22.2100.4705
35	47	6	SL	NBR	22.2100.4706
35	47	6	SL	FKM	22.2200.2200
35	47	7	SL	NBR	22.2100.3547
35	47	7	SL	FKM	22.2200.3547
35	47	7	DL	NBR	22.2110.3547
35	47	7	DL	FKM	22.2210.3547
35	47	8	SL	NBR	22.2100.4708
35	47	8	DL	NBR	22.2110.0035
35	47	10	SL	NBR	22.2100.3540
35	47	10	SL	FKM	22.2200.3510
35	47	10	DL	NBR	22.2110.4710
35	48	7	DL	NBR	22.2110.0487
35	48	7	DL	FKM	22.2210.3548
35	48	8	SL	NBR	22.2100.4808
35	48	8	DL	NBR	22.2110.0003

ID	OD	H	Type	Material	Item no.
35	48	9	SL	FKM	22.2200.3548
35	48	10	DL	NBR	22.2110.0481
35	50	5	SL	NBR	22.2100.0359
35	50	7	SL	NBR	22.2100.3550
35	50	7	SL	FKM	22.2200.3557
35	50	7	DL	NBR	22.2110.3550
35	50	8	SL	NBR	22.2100.0355
35	50	8	SL	FKM	22.2200.3558
35	50	8	DL	NBR	22.2110.5008
35	50	8	DL	FKM	22.2210.3550
35	50	10	SL	NBR	22.2100.0350
35	50	10	DL	NBR	22.2110.5010
35	50	10	DL	FKM	22.2210.0374
35	50	12	DL	NBR	22.2110.0654
35	51	8	SL	NBR	22.2100.0655
35	52	5,5	DL	FKM	22.2210.0054
35	52	6	SL	FKM	22.2200.0008
35	52	6	DL	NBR	22.2110.0356
35	52	6	DL	FKM	22.2210.3552
35	52	7	SL	NBR	22.2100.3552
35	52	7	SL	FKM	22.2200.3552
35	52	7	DL	NBR	22.2110.0657
35	52	7	DL	FKM	22.2210.0357
35	52	8	SL	NBR	22.2100.0352
35	52	8	DL	NBR	22.2110.0659
35	52	9	DL	NBR	22.2110.0660
35	52	10	SL	NBR	22.2100.3553
35	52	10	SL	FKM	22.2200.3551
35	52	10	DL	NBR	22.2110.3552
35	52	10	DL	FKM	22.2210.3510
35	52	12	DL	NBR	22.2110.0661
35	54	8	DL	NBR	22.2110.0663
35	54	10	SL	NBR	22.2100.0664
35	54	10	SL	FKM	22.2200.0214
35	54	10	DL	NBR	22.2110.0666
35	55	5	SL	NBR	22.2100.0667
35	55	7	DL	FKM	22.2210.3555
35	55	8	SL	NBR	22.2100.3555
35	55	8	SL	FKM	22.2200.1452
35	55	8	DL	NBR	22.2110.0667
35	55	10	SL	NBR	22.2100.0035
35	55	10	SL	FKM	22.2200.3555
35	55	10	DL	NBR	22.2110.3525
35	55	11	SL	NBR	22.2100.9799
35	55	11	DL	NBR	22.2110.3539
35	55	12	SL	NBR	22.2100.0673

ID: Inner Diameter
OD: Outer Diameter
H: Height

ID	OD	H	Type	Material	Item no.
35	55	12	DL	NBR	22.2110.0673
35	56	8	SL	NBR	22.2100.0674
35	56	8	SL	FKM	22.2200.5486
35	56	10	SL	NBR	22.2100.3557
35	56	10	DL	NBR	22.2110.6674
35	56	12	DL	NBR	22.2110.0678
35	56	12	DL	FKM	22.2210.3556
35	57	8	DL	NBR	22.2110.3557
35	57	10	SL	NBR	22.2100.3567
35	58	7	DL	NBR	22.2110.0676
35	58	7,5	SL	FKM	22.2200.5481
35	58	8	DL	NBR	22.2110.0679
35	58	10	SL	NBR	22.2100.0681
35	58	10	SL	FKM	22.2200.5968
35	58	10	DL	NBR	22.2110.0680
35	58	12	DL	NBR	22.2110.0683
35	60	8	DL	NBR	22.2110.5938
35	60	10	SL	FKM	22.2200.3560
35	60	10	DL	NBR	22.2110.1960
35	62	6	DL	NBR	22.2110.0624
35	62	7	SL	NBR	22.2100.3562
35	62	7	SL	FKM	22.2200.3562
35	62	7	DL	NBR	22.2110.1962
35	62	7	DL	FKM	22.2210.0356
35	62	8	SL	NBR	22.2100.1963
35	62	8	SL	FKM	22.2200.3508
35	62	8	DL	NBR	22.2110.1964
35	62	8	DL	FKM	22.2210.3562
35	62	10	SL	NBR	22.2100.0356
35	62	10	SL	FKM	22.2200.3561
35	62	10	DL	NBR	22.2110.1965
35	62	10	DL	FKM	22.2210.6210
35	62	12	SL	NBR	22.2100.1965
35	62	12	DL	NBR	22.2110.3562
35	62	12	DL	FKM	22.2210.0069
35	65	9	SL	NBR	22.2100.1958
35	65	9	SL	FKM	22.2200.3565
35	65	10	SL	NBR	22.2100.3565
35	65	10	DL	NBR	22.2110.1958
35	65	12	SL	FKM	22.2200.3564
35	68	6	DL	NBR	22.2110.0686
35	68	10	SL	NBR	22.2100.1959
35	68	10	DL	NBR	22.2110.1959
35	68	12	SL	FKM	22.2200.3512
35	68	12	DL	NBR	22.2110.3568
35	70	10	DL	NBR	22.2110.3091

ID	OD	H	Type	Material	Item no.
35	72	7	SL	NBR	22.2100.9549
35	72	7	SL	FKM	22.2200.5256
35	72	7	DL	NBR	22.2110.5120
35	72	7	DL	FKM	22.2210.5256
35	72	8	DL	NBR	22.2110.1950
35	72	10	SL	NBR	22.2100.3572
35	72	10	DL	NBR	22.2110.2561
35	72	10	DL	FKM	22.2210.0081
35	72	12	SL	NBR	22.2100.3526
35	72	12	SL	FKM	22.2200.3573
35	72	12	DL	NBR	22.2110.3572
35	72	12	DL	FKM	22.2210.3572
35	75	8	DL	NBR	22.2110.3575
35	76	9	DL	NBR	22.2110.3576
35	78	8	DL	NBR	22.2110.3578
35	80	8	DL	NBR	22.2110.0358
35	80	10	SL	NBR	22.2100.3579
35	80	10	SL	FKM	22.2200.3580
35	80	10	DL	NBR	22.2110.3580
35	80	12	SL	NBR	22.2100.3580
35	80	12	DL	NBR	22.2110.0798
35	80	13	DL	NBR	22.2110.3581
36	52	9	AEX SL	NBR	22.2300.3659
36	68	10	AEX DL	NBR	22.2140.7777
36	47	7	SL	NBR	22.2100.3647
36	47	7	DL	NBR	22.2110.3647
36	48	10	SL	NBR	22.2100.3648
36	48	10	SL	FKM	22.2200.3648
36	48	10	DL	NBR	22.2110.8964
36	50	6	DL	NBR	22.2110.3650
36	50	7	SL	NBR	22.2100.3650
36	50	7	DL	NBR	22.2110.5678
36	50	7	DL	FKM	22.2210.3650
36	50	8	DL	NBR	22.2110.0368
36	50	10	SL	FKM	22.2200.3650
36	51	8	DL	NBR	22.2110.4185
36	52	7	SL	NBR	22.2100.3652
36	52	7	SL	FKM	22.2200.3652
36	52	7	DL	NBR	22.2110.0050
36	52	7	DL	FKM	22.2210.3636
36	52	8	DL	NBR	22.2110.5208
36	52	9	DL	FKM	22.2210.0369
36	52	10	DL	NBR	22.2110.3651
36	54	7	DL	NBR	22.2110.7654
36	54	7,5	SL	NBR	22.2100.3655
36	54	10	SL	NBR	22.2100.0481

ID: Inner Diameter
OD: Outer Diameter
H: Height

ID	OD	H	Type	Material	Item no.	ID	OD	H	Type	Material	Item no.
36	54	11	DL	NBR	22.2110.3657	38	74	11	AEX DL	NBR	22.2140.3874
36	56	6	SL	NBR	22.2100.3656	38	47	10	DL	NBR	22.2110.3847
36	56	9	DL	NBR	22.2110.3656	38	48	4	AN SL SR	NBR	22.2122.3848
36	56	10	SL	NBR	22.2100.9318	38	48	6	SL	NBR	22.2100.5784
36	58	9	SL	NBR	22.2100.0988	38	48	7	SL	NBR	22.2100.3848
36	58	10	SL	NBR	22.2100.3658	38	48	10	DL	NBR	22.2110.3848
36	58	12	SL	NBR	22.2100.3558	38	50	7	SL	NBR	22.2100.3850
36	58	12	DL	NBR	22.2110.8510	38	50	7	DL	NBR	22.2110.8434
36	60	10	DL	NBR	22.2110.3659	38	50	7	DL	FKM	22.2210.3850
36	62	7	SL	NBR	22.2100.3663	38	50	8	DL	NBR	22.2110.3850
36	62	7	DL	NBR	22.2110.3662	38	50	10	DL	NBR	22.2110.7184
36	62	10	SL	NBR	22.2100.3665	38	51	7	DL	NBR	22.2110.5486
36	62	10	SL	FKM	22.2200.3661	38	52	6	DL	NBR	22.2110.1645
36	68	10	DL	NBR	22.2110.3668	38	52	7	SL	NBR	22.2100.3535
36	75	12	SL	NBR	22.2100.3675	38	52	7	SL	FKM	22.2200.3857
36	83	12	SL	NBR	22.2100.3683	38	52	7	DL	NBR	22.2110.1152
36,53	53,98	7,95	AEX DL	NBR	22.2140.3653	38	52	7	DL	FKM	22.2210.3852
37	62	9	T2 SL	NBR	22.2350.3762	38	52	8	SL	NBR	22.2100.3852
37	80	13	T2 SL	NBR	22.2350.3780	38	52	8	SL	FKM	22.2200.3852
37	47	4	AN SL SR	NBR	22.2122.3747	38	52	8	DL	NBR	22.2110.1963
37	50	7	DL	NBR	22.2110.3750	38	52	9	SL	NBR	22.2100.1479
37	50	10	SL	NBR	22.2100.3750	38	52	10	SL	FKM	22.2200.3851
37	52	8	SL	NBR	22.2100.3752	38	52	10	DL	NBR	22.2110.8402
37	52	10	SL	NBR	22.2100.3359	38	53	8	SL	NBR	22.2100.6984
37	52	10	SL	FKM	22.2200.3752	38	53	10	DL	NBR	22.2110.3853
37	52	10	DL	NBR	22.2110.3852	38	54	6,5	SL	NBR	22.2100.8987
37	53	7	DL	NBR	22.2110.3753	38	54	6,5	SL	FKM	22.2200.3685
37	58	13	DL	NBR	22.2110.3758	38	54	10	SL	NBR	22.2100.1851
37	62	7	DL	NBR	22.2110.3764	38	54	10	DL	NBR	22.2110.7943
37	62	8	SL	NBR	22.2100.3762	38	55	6	SL	NBR	22.2100.5654
37	62	8	SL	FKM	22.2200.3762	38	55	6	SL	FKM	22.2200.3855
37	62	8	DL	NBR	22.2110.3762	38	55	7	SL	NBR	22.2100.1173
37	62	10	SL	NBR	22.2100.5764	38	55	7	DL	NBR	22.2110.6921
37	62	12	SL	NBR	22.2100.6425	38	55	7	DL	FKM	22.2210.3666
37	66	9,5	DL	NBR	22.2110.0361	38	55	8	DL	NBR	22.2110.5148
37	72	12	SL	NBR	22.2100.3772	38	55	10	DL	NBR	22.2110.2053
38	50	7	AEX SL	NBR	22.2300.3850	38	55	10	DL	FKM	22.2210.3855
38	52	7	AEX DL	NBR	22.2140.0888	38	56	7	SL	NBR	22.2100.3856
38	54	6	AEX DL	NBR	22.2140.3854	38	56	10	SL	NBR	22.2100.3851
38	56	10	AEX SL	NBR	22.2300.3856	38	56	10	SL	FKM	22.2200.3856
38	58	12	T2 SL	NBR	22.2350.3858	38	56	10	DL	NBR	22.2110.4787
38	62	7	AEX DL	NBR	22.2140.3862	38	56	12	SL	NBR	22.2100.8605
38	62	10	T2 SL	NBR	22.2350.3862	38	57	7	DL	NBR	22.2110.0510
38	65	10	T2 SL	NBR	22.2350.3865	38	57	10	SL	NBR	22.2100.3857
38	65	12	AEX SL	NBR	22.2300.3865	38	58	7	DL	NBR	22.2110.3594
38	68	12	AEX DL	NBR	22.2140.3868	38	58	8	SL	NBR	22.2100.3888

ID: Inner Diameter
OD: Outer Diameter
H: Height

ID	OD	H	Type	Material	Item no.
38	58	10	DL	NBR	22.2110.8442
38	58	11	DL	NBR	22.2110.2110
38	60	7	SL	FKM	22.2200.3694
38	60	7	DL	NBR	22.2110.3860
38	60	7	DL	FKM	22.2210.3694
38	60	8	DL	NBR	22.2110.6564
38	60	10	SL	NBR	22.2100.3861
38	60	10	SL	FKM	22.2200.3860
38	60	10	DL	NBR	22.2110.3843
38	60	10	DL	FKM	22.2210.3860
38	62	7	SL	NBR	22.2100.4153
38	62	7	DL	NBR	22.2110.3678
38	62	7	DL	FKM	22.2210.3862
38	62	8	DL	NBR	22.2110.2311
38	62	10	SL	NBR	22.2100.0386
38	62	10	DL	NBR	22.2110.7546
38	62	12	DL	NBR	22.2110.3862
38	63	9	DL	NBR	22.2110.2513
38	64	12	SL	NBR	22.2100.5498
38	65	8	SL	NBR	22.2100.0465
38	65	8	SL	FKM	22.2200.3865
38	65	10	DL	NBR	22.2110.5446
38	68	10	DL	NBR	22.2110.6548
38	70	10	SL	NBR	22.2100.8759
38	72	8	DL	NBR	22.2110.9898
38	72	10	SL	NBR	22.2100.5783
38	72	10	DL	NBR	22.2110.5986
38	72	12	SL	NBR	22.2100.6969
38	74	11	DL	NBR	22.2110.8951
38	75	10	DL	NBR	22.2110.3875
38	80	12	SL	NBR	22.2100.1841
38,1	53,98	7,93	AEX DL	NBR	22.2140.0381
38,1	59,13	9,52	AEX DL	NBR	22.2140.0383
38,1	60,33	9,52	T2 SL	NBR	22.2350.0069
38,1	63,5	7,94	AEX DL	NBR	22.2140.0384
39	52	8	SL	NBR	22.2100.4363
39	52	10	DL	NBR	22.2110.3952
39	55	7	SL	FKM	22.2200.3955
39	64	9	DL	NBR	22.2110.0403
39	65	9	SL	NBR	22.2100.3965
39,68	63,5	12,7	T2 DL	NBR	22.2354.0056
39,69	63,5	12,7	T2 SL	NBR	22.2350.0401
39,69	68,26	9,52	AEX SL	NBR	22.2300.3971
40	47	4	AEX SL	NBR	22.2300.4047
40	47	4	AEX DL	NBR	22.2140.4047
40	52	7	AEX SL	NBR	22.2300.4052

ID	OD	H	Type	Material	Item no.
40	52	7	AEX DL	NBR	22.2140.4052
40	52	8	AEX SL	NBR	22.2300.4058
40	54	8	AEX DL	NBR	22.2140.0548
40	55	6	AEX DL	NBR	22.2140.4055
40	55	8	AEX SL	NBR	22.2300.0408
40	55	8	AEX DL	NBR	22.2140.0508
40	55	10	AEX SL	NBR	22.2300.5510
40	58	10	AEX SL	NBR	22.2300.4051
40	60	10	AEX DL	NBR	22.2140.4060
40	60	10	T2 SL	NBR	22.2350.4060
40	62	7	AEX SL	NBR	22.2300.4067
40	62	7	AEX DL	NBR	22.2140.1485
40	62	8	AEX SL	NBR	22.2300.0406
40	62	10	AEX SL	NBR	22.2300.4621
40	62	10	AEX DL	NBR	22.2140.0621
40	62	12	AEX SL	NBR	22.2300.4062
40	62	12	AEX DL	NBR	22.2140.6211
40	62	12	T2 SL	NBR	22.2350.4023
40	65	10	AEX DL	NBR	22.2140.4065
40	68	7	AEX SL	NBR	22.2300.4087
40	68	10	T2 SL	NBR	22.2350.4068
40	72	10	AEX SL	NBR	22.2300.4010
40	72	12	AEX SL	NBR	22.2300.4072
40	80	10	T2 SL	NBR	22.2350.4080
40	86	10	AEX DL	NBR	22.2140.0097
40	90	12	T2 SL	NBR	22.2350.4090
40	47	4	AN SL SR	NBR	22.2122.4047
40	50	4	AN SL SR	NBR	22.2122.4050
40	50	4	SL SR	NBR	22.2160.4050
40	50	5	SL	NBR	22.2100.0369
40	50	5	DL	NBR	22.2110.4043
40	50	7	SL	NBR	22.2100.4050
40	50	7	DL	NBR	22.2110.3793
40	50	8	SL	NBR	22.2100.7534
40	50	8	SL	FKM	22.2200.4050
40	50	8	DL	NBR	22.2110.2121
40	50	10	SL	NBR	22.2100.0379
40	51	6	DL	NBR	22.2110.4051
40	52	5	SL	NBR	22.2100.3784
40	52	5	DL	NBR	22.2110.0405
40	52	6	SL	NBR	22.2100.4052
40	52	6	SL	FKM	22.2200.6060
40	52	6	DL	NBR	22.2110.9685
40	52	7	SL	NBR	22.2100.0405
40	52	7	SL	FKM	22.2200.0049
40	52	7	DL	NBR	22.2110.4052

ID: Inner Diameter
OD: Outer Diameter
H: Height

ID	OD	H	Type	Material	Item no.
40	52	7	DL	FKM	22.2210.4052
40	52	8	SL	NBR	22.2100.7212
40	52	8	SL	FKM	22.2200.4088
40	52	8	DL	NBR	22.2110.2223
40	52	9	DL	NBR	22.2110.1322
40	52	10	SL	NBR	22.2100.9898
40	52	10	SL	FKM	22.2200.5054
40	52	10	DL	NBR	22.2110.8889
40	54	7	DL	NBR	22.2110.1144
40	55	6	DL	FKM	22.2210.4055
40	55	6,5	SL	NBR	22.2100.5540
40	55	7	SL	NBR	22.2100.4058
40	55	7	SL	FKM	22.2200.4057
40	55	7	DL	NBR	22.2110.8891
40	55	7	DL	FKM	22.2210.4051
40	55	8	SL	NBR	22.2100.4055
40	55	8	SL	FKM	22.2200.4055
40	55	8	DL	NBR	22.2110.3457
40	55	8	DL	FKM	22.2210.2548
40	55	9	SL	NBR	22.2100.4009
40	55	10	SL	NBR	22.2100.4000
40	55	10	SL	FKM	22.2200.2288
40	55	10	DL	NBR	22.2110.8892
40	56	7	SL	NBR	22.2100.4056
40	56	7	DL	NBR	22.2110.4056
40	56	8	SL	NBR	22.2100.0404
40	56	8	SL	FKM	22.2200.4058
40	56	8	DL	NBR	22.2110.4057
40	56	8	DL	FKM	22.2210.0079
40	56	10	SL	NBR	22.2100.0040
40	56	10	SL	FKM	22.2200.4056
40	56	10	DL	NBR	22.2110.5741
40	57	10	DL	NBR	22.2110.5263
40	58	7	SL	NBR	22.2100.9865
40	58	8	SL	NBR	22.2100.8703
40	58	8	DL	NBR	22.2110.5632
40	58	9	SL	NBR	22.2100.4599
40	58	9	DL	NBR	22.2110.1970
40	58	10	SL	NBR	22.2100.0458
40	58	10	SL	FKM	22.2200.4059
40	58	10	DL	NBR	22.2110.4058
40	59	9,5	DL	NBR	22.2110.4059
40	60	7	SL	NBR	22.2100.4061
40	60	7	SL	FKM	22.2200.4061
40	60	7	DL	NBR	22.2110.4067
40	60	8	DL	NBR	22.2110.4510

ID	OD	H	Type	Material	Item no.
40	60	10	SL	NBR	22.2100.4060
40	60	10	SL	FKM	22.2200.4060
40	60	10	DL	NBR	22.2110.4060
40	60	12	SL	NBR	22.2100.0406
40	60	12	DL	NBR	22.2110.3012
40	61	10	SL	NBR	22.2100.6666
40	62	5	SL	NBR	22.2100.3306
40	62	6	DL	NBR	22.2110.0412
40	62	7	SL	NBR	22.2100.4062
40	62	7	SL	FKM	22.2200.4067
40	62	7	DL	NBR	22.2110.1874
40	62	7	DL	FKM	22.2210.4062
40	62	8	SL	NBR	22.2100.6240
40	62	8	DL	NBR	22.2110.6962
40	62	9	DL	NBR	22.2110.1721
40	62	10	SL	NBR	22.2100.0401
40	62	10	SL	FKM	22.2200.4062
40	62	10	DL	NBR	22.2110.4062
40	62	10	DL	FKM	22.2210.4060
40	62	11	DL	NBR	22.2110.1093
40	62	12	DL	NBR	22.2110.6246
40	62	14	DL	NBR	22.2110.0014
40	64	10	DL	NBR	22.2110.6440
40	65	8	DL	NBR	22.2110.8654
40	65	9	SL	NBR	22.2100.6584
40	65	10	SL	NBR	22.2100.4065
40	65	10	DL	NBR	22.2110.4207
40	65	10	DL	FKM	22.2210.4065
40	65	12	SL	NBR	22.2100.4613
40	65	12	SL	FKM	22.2200.0324
40	65	12	DL	NBR	22.2110.3078
40	65	13	DL	NBR	22.2110.4065
40	65	14	DL	NBR	22.2110.6310
40	67	8	DL	NBR	22.2110.9841
40	68	6	DL	NBR	22.2110.4066
40	68	7	DL	NBR	22.2110.4068
40	68	10	SL	NBR	22.2100.4068
40	68	10	SL	FKM	22.2200.4068
40	68	10	DL	NBR	22.2110.9410
40	68	10	DL	FKM	22.2210.4068
40	68	12	SL	NBR	22.2100.9451
40	68	12	DL	NBR	22.2110.1535
40	70	8	SL	NBR	22.2100.9586
40	70	8	DL	NBR	22.2110.4070
40	70	10	SL	NBR	22.2100.4070
40	70	10	SL	FKM	22.2200.4070

ID: Inner Diameter
OD: Outer Diameter
H: Height

ID	OD	H	Type	Material	Item no.
40	70	10	DL	NBR	22.2110.2996
40	70	12	DL	NBR	22.2110.1675
40	72	7	SL	NBR	22.2100.4071
40	72	7	SL	FKM	22.2200.4072
40	72	7	DL	NBR	22.2110.0789
40	72	7	DL	FKM	22.2210.4072
40	72	8	DL	NBR	22.2110.4072
40	72	10	SL	NBR	22.2100.4072
40	72	10	DL	NBR	22.2110.3812
40	72	12	SL	NBR	22.2100.5521
40	72	12	DL	NBR	22.2110.7245
40	75	7	SL	NBR	22.2100.4075
40	75	10	DL	NBR	22.2110.4075
40	78	10	SL	NBR	22.2100.4078
40	80	7	DL	NBR	22.2110.8007
40	80	8	DL	NBR	22.2110.4080
40	80	10	SL	NBR	22.2100.4080
40	80	10	SL	FKM	22.2200.4080
40	80	10	DL	NBR	22.2110.1212
40	80	10	DL	FKM	22.2210.4444
40	80	12	SL	NBR	22.2100.6687
40	80	12	DL	NBR	22.2110.5086
40	80	13	SL	NBR	22.2100.4013
40	80	13	DL	NBR	22.2110.0401
40	85	10	SL	NBR	22.2100.4085
40	85	10	DL	NBR	22.2110.8405
40	90	8	DL	NBR	22.2110.0709
40	90	9	DL	NBR	22.2110.4090
40	90	10	SL	NBR	22.2100.4090
40	90	10	DL	NBR	22.2110.4092
40	90	10	DL	FKM	22.2210.0030
40	90	12	SL	NBR	22.2100.5096
40	90	12	DL	NBR	22.2110.9095
40	90	12	DL	FKM	22.2210.4090
41	60	10	AEX DL	NBR	22.2140.8514
41	53	8	DL	NBR	22.2110.4153
41	55	9	DL	NBR	22.2110.1956
41	56	7	DL	NBR	22.2110.2156
41	56	8	DL	NBR	22.2110.6005
41,27	61,91	9,52	AEX SL	NBR	22.2300.0041
41,28	61,91	9,52	T2 SL	NBR	22.2350.4128
41,28	66,68	7,95	AEX DL	NBR	22.2140.0418
42	55	7	AEX SL	NBR	22.2300.3574
42	55	7	AEX DL	NBR	22.2140.4255
42	60	10	T2 SL	NBR	22.2350.4260
42	60	12	T2 SL	NBR	22.2350.0426

ID	OD	H	Type	Material	Item no.
42	62	10	AEX SL	NBR	22.2300.4262
42	62	12	AEX DL	NBR	22.2140.4212
42	70	10	T2 SL	NBR	22.2350.4270
42	80	13	T2 SL	NBR	22.2350.4280
42	50	7	SL	FKM	22.2200.4250
42	52	4	AN SL SR	NBR	22.2122.4252
42	52	4	DL	NBR	22.2110.3002
42	52	7	DL	NBR	22.2110.0298
42	52	8	DL	NBR	22.2110.2300
42	54	5	DL	NBR	22.2110.4272
42	55	7	SL	NBR	22.2100.4255
42	55	7	SL	FKM	22.2200.4255
42	55	7	DL	NBR	22.2110.3473
42	55	7	DL	FKM	22.2210.4254
42	55	8	SL	NBR	22.2100.4254
42	55	8	DL	NBR	22.2110.5226
42	55	8	DL	FKM	22.2210.4255
42	55	10	DL	NBR	22.2110.5510
42	56	7	SL	NBR	22.2100.8789
42	56	7	DL	NBR	22.2110.0567
42	56	7	DL	FKM	22.2210.4256
42	56	10	DL	NBR	22.2110.5642
42	58	7	DL	NBR	22.2110.4258
42	58	8	DL	NBR	22.2110.6874
42	58	10	SL	FKM	22.2200.4258
42	58	10	DL	NBR	22.2110.5829
42	60	7	DL	NBR	22.2110.0402
42	60	8	SL	NBR	22.2100.0608
42	60	8	DL	NBR	22.2110.6078
42	60	10	SL	NBR	22.2100.4261
42	60	10	SL	FKM	22.2200.4260
42	60	10	DL	NBR	22.2110.3124
42	60	12	SL	NBR	22.2100.4260
42	60	12	SL	FKM	22.2200.0354
42	62	7	SL	NBR	22.2100.4262
42	62	7	SL	FKM	22.2200.4222
42	62	7	DL	NBR	22.2110.4262
42	62	7	DL	FKM	22.2210.4222
42	62	8	SL	NBR	22.2100.9151
42	62	8	SL	FKM	22.2200.0426
42	62	8	DL	NBR	22.2110.5191
42	62	8	DL	FKM	22.2210.4545
42	62	10	SL	NBR	22.2100.4200
42	62	10	DL	NBR	22.2110.2960
42	62	12	SL	FKM	22.2200.4261
42	64	7	SL	NBR	22.2100.0485

ID: Inner Diameter
OD: Outer Diameter
H: Height

ID	OD	H	Type	Material	Item no.
42	64	7	DL	NBR	22.2110.4264
42	65	8	DL	NBR	22.2110.9929
42	65	9	DL	NBR	22.2110.4875
42	65	10	SL	NBR	22.2100.4265
42	65	10	DL	NBR	22.2110.0974
42	65	12	SL	FKM	22.2200.2312
42	67	10	DL	NBR	22.2110.0910
42	68	8	DL	FKM	22.2210.4268
42	70	10	DL	NBR	22.2110.4270
42	70	12	DL	NBR	22.2110.2481
42	72	7	SL	NBR	22.2100.0408
42	72	8	SL	NBR	22.2100.9687
42	72	8	SL	FKM	22.2200.4272
42	72	8	DL	NBR	22.2110.9994
42	72	10	SL	NBR	22.2100.1765
42	72	10	DL	NBR	22.2110.9698
42	72	12	DL	NBR	22.2110.8965
42	75	10	DL	NBR	22.2110.0995
42	75	12	DL	NBR	22.2110.4275
42	76	12	DL	NBR	22.2110.8778
42	80	10	SL	NBR	22.2100.4280
42	80	10	SL	FKM	22.2200.4280
43	54	7	DL	NBR	22.2110.2165
43	55	7	SL	NBR	22.2100.4355
43	55	8	DL	NBR	22.2110.9427
43	58	7	DL	NBR	22.2110.4358
43	59	8	DL	NBR	22.2110.4359
43	60	10	SL	NBR	22.2100.4360
43	60	10	SL	FKM	22.2200.4360
43	60	10	DL	NBR	22.2110.4360
43	62	8	DL	NBR	22.2110.7325
43	62	10	SL	FKM	22.2200.4362
43	62	12	DL	NBR	22.2110.4364
43	65	8	SL	NBR	22.2100.4365
43	65	13	SL	NBR	22.2100.7733
43	66	10	SL	NBR	22.2100.8834
43	66	10	SL	FKM	22.2200.4366
43	66	10	DL	NBR	22.2110.4368
43	70	10	DL	NBR	22.2110.0452
43	70	12	SL	FKM	22.2200.4370
43	73	10	DL	NBR	22.2110.9505
43	75	10	SL	NBR	22.2100.6875
43	80	10	SL	NBR	22.2100.4380
44	56	7	AEX SL	NBR	22.2300.4456
44	58	7	AEX SL	NBR	22.2300.4458
44	62	12	T2 SL	NBR	22.2350.4462

ID	OD	H	Type	Material	Item no.
44	54	4,5	SL	NBR	22.2100.4454
44	55	7	SL	NBR	22.2100.0524
44	58	10	SL	FKM	22.2200.4458
44	60	7	DL	NBR	22.2110.0865
44	60	10	SL	NBR	22.2100.9764
44	60	10	DL	NBR	22.2110.5764
44	62	8	SL	NBR	22.2100.8549
44	62	8	DL	NBR	22.2110.8492
44	62	10	SL	NBR	22.2100.4462
44	62	10	DL	NBR	22.2110.4462
44	62	10	DL	FKM	22.2210.4462
44	65	8	SL	FKM	22.2200.4465
44	65	8	DL	NBR	22.2110.9456
44	65	10	SL	NBR	22.2100.6497
44	65	10	SL	FKM	22.2200.4410
44	65	11	DL	NBR	22.2110.9641
44	70	12	DL	NBR	22.2110.4470
44	72	10	SL	NBR	22.2100.4473
44	72	10	SL	FKM	22.2200.4472
44	72	10	DL	NBR	22.2110.4473
44	92	10	DL	NBR	22.2110.0404
44,45	57,15	6,35	AEX SL SR	NBR	22.2155.4445
44,45	61,93	7,95	AEX DL	NBR	22.2140.0044
45	52	4	AEX SL SR	NBR	22.2155.0613
45	55	7	AEX SL	NBR	22.2300.3002
45	60	7	AEX DL	NBR	22.2140.4507
45	60	10	T2 SL	NBR	22.2350.4560
45	62	7	AEX SL	NBR	22.2300.4562
45	62	8	AEX SL	NBR	22.2300.4198
45	62	10	AEX SL	NBR	22.2300.4510
45	65	12	T2 DL	NBR	22.2354.4565
45	68	12	AEX DL	NBR	22.2140.4512
45	70	10	AEX SL	NBR	22.2300.4570
45	72	8	AEX SL	NBR	22.2300.0451
45	72	10	AEX SL	NBR	22.2300.0310
45	72	12	AEX DL	NBR	22.2140.4572
45	74	12	AEX DL	NBR	22.2140.4574
45	75	10	AEX DL	NBR	22.2140.4401
45	75	10	T2 SL	NBR	22.2350.4575
45	75	12	T2 SL	NBR	22.2350.4512
45	85	10	AEX SL	NBR	22.2300.4585
45	85	10	T2 SL	NBR	22.2350.4585
45	52	4	AN SL SR	NBR	22.2122.4552
45	52	4	DL	NBR	22.2110.4550
45	52	5	DL	NBR	22.2110.0387
45	52	8	SL	NBR	22.2100.4552

ID: Inner Diameter
OD: Outer Diameter
H: Height

ID	OD	H	Type	Material	Item no.
45	54	4,5	DL	NBR	22.2110.4554
45	55	4	AN SL SR	NBR	22.2122.4555
45	55	6	DL	NBR	22.2110.5545
45	55	7	SL	NBR	22.2100.4555
45	55	7	SL	FKM	22.2200.4555
45	55	8	DL	NBR	22.2110.3216
45	55	10	SL	NBR	22.2100.0455
45	55	10	DL	NBR	22.2110.2808
45	56	6	SL	NBR	22.2100.0456
45	56	7	DL	NBR	22.2110.4556
45	57	7	DL	NBR	22.2110.4557
45	58	7	SL	NBR	22.2100.3215
45	58	7	DL	NBR	22.2110.4558
45	58	7	DL	FKM	22.2210.4585
45	58	8	SL	NBR	22.2100.4588
45	58	10	DL	NBR	22.2110.0109
45	60	5	DL	NBR	22.2110.0455
45	60	7	SL	NBR	22.2100.0900
45	60	7	SL	NBR	22.2100.4560
45	60	7	SL	FKM	22.2200.4567
45	60	7	DL	NBR	22.2110.4560
45	60	7	DL	FKM	22.2210.4560
45	60	8	SL	NBR	22.2100.4561
45	60	8	SL	FKM	22.2200.4560
45	60	8	DL	NBR	22.2110.8645
45	60	8	DL	FKM	22.2210.5678
45	60	9	DL	NBR	22.2110.4569
45	60	10	SL	NBR	22.2100.4562
45	60	10	SL	FKM	22.2200.4563
45	60	10	DL	NBR	22.2110.4561
45	60	10	DL	FKM	22.2210.4555
45	60	12	SL	NBR	22.2100.2165
45	62	7	SL	NBR	22.2100.4563
45	62	7	DL	NBR	22.2110.2781
45	62	7	DL	FKM	22.2210.4562
45	62	8	SL	NBR	22.2100.2781
45	62	8	SL	FKM	22.2200.4562
45	62	8	DL	NBR	22.2110.4562
45	62	8	DL	FKM	22.2210.8474
45	62	9	SL	NBR	22.2100.4592
45	62	9	DL	NBR	22.2110.4590
45	62	10	SL	NBR	22.2100.4510
45	62	10	SL	FKM	22.2200.4561
45	62	10	DL	NBR	22.2110.6210
45	62	10	DL	FKM	22.2210.4510
45	62	12	SL	NBR	22.2100.4558

ID	OD	H	Type	Material	Item no.
45	62	12	SL	FKM	22.2200.0374
45	62	12	DL	NBR	22.2110.4512
45	64	9,5	SL	NBR	22.2100.4564
45	65	5	DL	NBR	22.2110.4555
45	65	6	SL	NBR	22.2100.0466
45	65	7	SL	NBR	22.2100.5649
45	65	8	SL	NBR	22.2100.4565
45	65	8	DL	NBR	22.2110.4565
45	65	8	DL	FKM	22.2210.4565
45	65	10	SL	NBR	22.2100.4567
45	65	10	SL	FKM	22.2200.4565
45	65	10	DL	NBR	22.2110.1065
45	65	10	DL	FKM	22.2210.0554
45	65	12	SL	NBR	22.2100.4566
45	65	12	DL	NBR	22.2110.1558
45	66	6	SL	NBR	22.2100.6645
45	66	6	SL	FKM	22.2200.4566
45	66	10	SL	NBR	22.2100.1066
45	66	10	SL	FKM	22.2200.4471
45	68	8	SL	NBR	22.2100.0688
45	68	8	DL	NBR	22.2110.0688
45	68	10	SL	NBR	22.2100.4568
45	68	10	SL	FKM	22.2200.0045
45	68	10	DL	NBR	22.2110.2900
45	68	12	DL	NBR	22.2110.6335
45	70	10	SL	NBR	22.2100.6572
45	70	10	DL	NBR	22.2110.4192
45	70	12	SL	NBR	22.2100.6361
45	70	12	SL	FKM	22.2200.9587
45	70	12	DL	NBR	22.2110.8944
45	70	14	SL	NBR	22.2100.4548
45	72	7	SL	NBR	22.2100.5312
45	72	8	SL	NBR	22.2100.4572
45	72	8	SL	FKM	22.2200.0457
45	72	8	DL	NBR	22.2110.4572
45	72	8	DL	FKM	22.2210.4572
45	72	9	SL	FKM	22.2200.0459
45	72	10	SL	NBR	22.2100.4573
45	72	10	DL	NBR	22.2110.4982
45	72	10	DL	FKM	22.2210.3412
45	72	12	SL	NBR	22.2100.0741
45	72	12	DL	NBR	22.2110.0852
45	75	6	DL	NBR	22.2110.7523
45	75	7	DL	NBR	22.2110.1010
45	75	7	DL	FKM	22.2210.7570
45	75	8	SL	NBR	22.2100.0965

ID: Inner Diameter
OD: Outer Diameter
H: Height

ID	OD	H	Type	Material	Item no.
45	75	8	DL	NBR	22.2110.4575
45	75	8	DL	FKM	22.2210.4575
45	75	10	DL	NBR	22.2110.0096
45	75	10	DL	FKM	22.2210.7849
45	75	12	DL	NBR	22.2110.0085
45	78	8	DL	NBR	22.2110.9563
45	78	13	SL	NBR	22.2100.1320
45	80	7	DL	NBR	22.2110.0026
45	80	10	SL	NBR	22.2100.4580
45	80	10	SL	FKM	22.2200.4580
45	80	10	DL	NBR	22.2110.2055
45	80	10	DL	FKM	22.2210.0088
45	80	12	DL	NBR	22.2110.9502
45	80	13	SL	NBR	22.2100.5017
45	80	13	DL	NBR	22.2110.4891
45	85	8	DL	NBR	22.2110.0329
45	85	10	SL	NBR	22.2100.4585
45	85	10	SL	FKM	22.2200.4585
45	85	10	DL	NBR	22.2110.7255
45	85	10	DL	FKM	22.2210.0851
45	85	13	SL	NBR	22.2100.3916
45	90	10	SL	NBR	22.2100.8710
45	90	10	DL	NBR	22.2110.8911
45	90	10	DL	FKM	22.2210.4590
45	100	8	SL	FKM	22.2200.0112
45	100	8	DL	NBR	22.2110.0762
45	100	10	DL	NBR	22.2110.4500
45	100	10	DL	FKM	22.2210.0071
46	62	8	DL	NBR	22.2110.4601
46	64	8	SL	NBR	22.2100.4604
46	64	8	DL	NBR	22.2110.4828
46	65	7	DL	NBR	22.2110.4665
46	65	9	DL	NBR	22.2110.6215
46	68	10	DL	NBR	22.2110.4668
46	70	10	DL	NBR	22.2110.4670
47	68	13	AEX DL	NBR	22.2140.4768
47	72	12	AEX SL	NBR	22.2300.1245
47	58	6	SL	NBR	22.2100.0072
47	58	6	SL	FKM	22.2200.4758
47	58	7	DL	NBR	22.2110.7528
47	62	6	SL	NBR	22.2100.4700
47	62	8	SL	NBR	22.2100.2803
47	62	8	SL	FKM	22.2200.0628
47	64	8	DL	NBR	22.2110.4764
47	65	8	SL	NBR	22.2100.4765
47	65	10	DL	NBR	22.2110.4765

ID	OD	H	Type	Material	Item no.
47	68	6	SL	NBR	22.2100.4768
47	70	10	DL	NBR	22.2110.2314
47	70	12	DL	NBR	22.2110.9173
47	72	9	SL	NBR	22.2100.0146
47	72	10	SL	NBR	22.2100.4772
47	80	12	DL	NBR	22.2110.0101
47,63	66,68	9,53	AEX DL	NBR	22.2140.4763
47,63	69,85	7,95	AEX DL	NBR	22.2140.0476
47,63	73,03	7,94	AEX DL	NBR	22.2140.4773
47,63	76,2	7,95	AEX DL	NBR	22.2140.0047
48	62	8	AEX SL	NBR	22.2300.4868
48	65	10	AEX SL	NBR	22.2300.4865
48	70	10	T2 SL	NBR	22.2350.4870
48	70	12	T2 SL	NBR	22.2350.0048
48	72	8	AEX SL	NBR	22.2300.3333
48	72	10	AEX SL	NBR	22.2300.4872
48	80	10	T2 SL	NBR	22.2350.4880
48	60	7	DL	NBR	22.2110.0102
48	60	9	DL	NBR	22.2110.4860
48	60	10	DL	NBR	22.2110.2780
48	62	7	DL	NBR	22.2110.2848
48	62	8	SL	NBR	22.2100.4862
48	62	8	SL	FKM	22.2200.4862
48	62	8	DL	NBR	22.2110.4705
48	62	10	SL	NBR	22.2100.0010
48	62	10	SL	FKM	22.2200.2233
48	62	10	DL	NBR	22.2110.2005
48	62	12	DL	NBR	22.2110.4862
48	65	7	DL	NBR	22.2110.4151
48	65	8	SL	NBR	22.2100.0841
48	65	8	DL	NBR	22.2110.0468
48	65	8	DL	FKM	22.2210.4865
48	65	9	DL	NBR	22.2110.6743
48	65	10	SL	NBR	22.2100.4865
48	65	10	SL	FKM	22.2200.4861
48	65	10	DL	NBR	22.2110.4865
48	65	10	DL	FKM	22.2210.0404
48	65	12	SL	NBR	22.2100.6847
48	66	12	DL	NBR	22.2110.4866
48	68	8	DL	FKM	22.2210.4868
48	68	10	SL	NBR	22.2100.4868
48	68	10	DL	NBR	22.2110.4868
48	68	12	SL	NBR	22.2100.4812
48	68	12	SL	FKM	22.2200.4868
48	68	12	DL	NBR	22.2110.1409
48	68	14	DL	NBR	22.2110.3615

ID: Inner Diameter
OD: Outer Diameter
H: Height

ID	OD	H	Type	Material	Item no.
48	68	14	DL	FKM	22.2210.4814
48	70	8	DL	NBR	22.2110.4870
48	70	9	DL	NBR	22.2110.6884
48	70	10	SL	NBR	22.2100.9746
48	70	10	SL	FKM	22.2200.4870
48	70	10	DL	NBR	22.2110.9741
48	70	12	DL	NBR	22.2110.0446
48	72	7	SL	NBR	22.2100.5432
48	72	7	DL	NBR	22.2110.3514
48	72	8	SL	NBR	22.2100.6534
48	72	8	SL	FKM	22.2200.2211
48	72	8	DL	NBR	22.2110.6854
48	72	8	DL	FKM	22.2210.4872
48	72	10	SL	NBR	22.2100.4872
48	72	10	SL	FKM	22.2200.4872
48	72	10	DL	NBR	22.2110.1614
48	72	12	DL	NBR	22.2110.8641
48	74	10	SL	NBR	22.2100.4874
48	74	10	DL	NBR	22.2110.3141
48	75	8	SL	NBR	22.2100.1178
48	75	12	DL	NBR	22.2110.3759
48	78	12	SL	NBR	22.2100.2718
48	80	8	SL	NBR	22.2100.5476
48	80	8	DL	NBR	22.2110.6759
48	80	10	SL	NBR	22.2100.1474
48	80	10	DL	NBR	22.2110.9865
48	80	12	DL	NBR	22.2110.9872
48	85	6	SL	FKM	22.2200.4885
48	85	13	SL	NBR	22.2100.4813
48	90	10	SL	NBR	22.2100.9864
48	90	10	SL	FKM	22.2200.4890
48	90	13	DL	NBR	22.2110.9845
49	65	10	SL	NBR	22.2100.4965
49	68	9	DL	NBR	22.2110.4968
49	72	10	DL	NBR	22.2110.4972
50	62	10	AEX DL	NBR	22.2140.5062
50	65	8	AEX SL	NBR	22.2300.6060
50	65	10	T2 SL	NBR	22.2350.5065
50	68	10	AEX SL	NBR	22.2300.5068
50	68	12	T2 SL	NBR	22.2350.5068
50	68	14	AEX SL	NBR	22.2300.1874
50	70	10	AEX SL	NBR	22.2300.5070
50	70	10	T2 SL	NBR	22.2350.5071
50	72	8	AEX DL	NBR	22.2140.0854
50	72	10	AEX SL	NBR	22.2300.5072
50	72	10	T2 SL	NBR	22.2350.0507

ID	OD	H	Type	Material	Item no.
50	72	12	AEX DL	NBR	22.2140.5072
50	72	12	T2 SL	NBR	22.2350.5012
50	75	9	AEX SL	NBR	22.2300.5075
50	76	13	AEX DL	NBR	22.2140.5076
50	80	10	AEX SL	NBR	22.2300.2100
50	80	12	T2 SL	NBR	22.2350.5080
50	86	13	T2 SL	NBR	22.2350.5086
50	58	4	AN SL SR	NBR	22.2122.5058
50	58	4,5	SL	NBR	22.2100.5058
50	60	7	SL	NBR	22.2100.5060
50	60	7	SL	FKM	22.2200.5060
50	60	8	DL	NBR	22.2110.5060
50	60	10	SL	NBR	22.2100.4554
50	62	5	AN SL SR	NBR	22.2122.5062
50	62	7	SL	NBR	22.2100.2621
50	62	7	SL	FKM	22.2200.3062
50	62	7	DL	NBR	22.2110.9873
50	62	7	DL	FKM	22.2210.5062
50	62	8	SL	FKM	22.2200.0062
50	62	8	DL	NBR	22.2110.4459
50	62	10	SL	NBR	22.2100.9684
50	64	8	DL	NBR	22.2110.1860
50	65	6	DL	NBR	22.2110.5066
50	65	7	DL	NBR	22.2110.0646
50	65	8	SL	NBR	22.2100.5065
50	65	8	SL	FKM	22.2200.5065
50	65	8	DL	NBR	22.2110.5065
50	65	8	DL	FKM	22.2210.5065
50	65	9	DL	NBR	22.2110.5659
50	65	10	SL	NBR	22.2100.5066
50	65	10	SL	FKM	22.2200.3287
50	65	10	DL	NBR	22.2110.5656
50	66	10	SL	FKM	22.2200.5066
50	67	7	DL	NBR	22.2110.0677
50	67	9	SL	NBR	22.2100.5067
50	67	9	DL	NBR	22.2110.5067
50	68	8	SL	NBR	22.2100.5068
50	68	8	SL	FKM	22.2200.5068
50	68	8	DL	NBR	22.2110.5068
50	68	8	DL	FKM	22.2210.5068
50	68	10	SL	NBR	22.2100.5069
50	68	10	SL	FKM	22.2200.5061
50	68	10	DL	NBR	22.2110.4170
50	68	10	DL	FKM	22.2210.5010
50	68	11	SL	NBR	22.2100.0508
50	68	12	SL	NBR	22.2100.5050

ID: Inner Diameter
OD: Outer Diameter
H: Height

ID	OD	H	Type	Material	Item no.
50	68	12	SL	FKM	22.2200.3574
50	70	6	DL	NBR	22.2110.0570
50	70	8	SL	NBR	22.2100.5780
50	70	8	DL	NBR	22.2110.5780
50	70	8	DL	FKM	22.2210.5008
50	70	10	SL	NBR	22.2100.5070
50	70	10	SL	FKM	22.2200.5070
50	70	10	DL	NBR	22.2110.2722
50	70	10	DL	FKM	22.2210.5070
50	70	11	DL	NBR	22.2110.1187
50	70	12	SL	NBR	22.2100.0507
50	70	12	DL	NBR	22.2110.2501
50	70	14	DL	NBR	22.2110.5070
50	72	6	SL	NBR	22.2100.2050
50	72	7	DL	NBR	22.2110.5072
50	72	7	DL	FKM	22.2210.5072
50	72	8	SL	NBR	22.2100.5072
50	72	8	SL	FKM	22.2200.5078
50	72	8	DL	NBR	22.2110.5728
50	72	8	DL	FKM	22.2210.5077
50	72	10	SL	NBR	22.2100.5071
50	72	10	DL	NBR	22.2110.2800
50	72	10	DL	FKM	22.2210.5078
50	72	12	SL	NBR	22.2100.5073
50	72	12	DL	NBR	22.2110.0637
50	72	12	DL	NBR	22.2110.7212
50	73	8	DL	NBR	22.2110.5073
50	73	10	DL	NBR	22.2110.7310
50	75	6	DL	NBR	22.2110.0756
50	75	10	SL	FKM	22.2200.5075
50	75	10	DL	NBR	22.2110.7510
50	75	12	SL	NBR	22.2100.3714
50	75	12	DL	NBR	22.2110.5075
50	76	10	SL	NBR	22.2100.5076
50	76	12	DL	NBR	22.2110.7612
50	78	12	SL	NBR	22.2100.6504
50	78	12	DL	NBR	22.2110.7812
50	80	8	SL	NBR	22.2100.5080
50	80	8	SL	FKM	22.2200.5080
50	80	8	DL	NBR	22.2110.5088
50	80	8	DL	FKM	22.2210.5080
50	80	10	SL	NBR	22.2100.5081
50	80	10	SL	FKM	22.2200.5082
50	80	10	DL	NBR	22.2110.5810
50	80	10	DL	FKM	22.2210.5555
50	80	12	SL	NBR	22.2100.3260

ID	OD	H	Type	Material	Item no.
50	80	12	DL	NBR	22.2110.2550
50	80	13	SL	NBR	22.2100.5083
50	80	13	DL	NBR	22.2110.5812
50	80	13	DL	FKM	22.2210.5013
50	82	12	DL	NBR	22.2110.5082
50	85	10	SL	NBR	22.2100.5013
50	85	10	DL	NBR	22.2110.0585
50	85	13	SL	NBR	22.2100.0200
50	90	8	DL	NBR	22.2110.0400
50	90	8	DL	FKM	22.2210.0238
50	90	10	SL	NBR	22.2100.5090
50	90	10	SL	FKM	22.2200.5090
50	90	10	DL	NBR	22.2110.3892
50	90	10	DL	FKM	22.2210.5090
50	90	12	DL	NBR	22.2110.0500
50	110	10	DL	NBR	22.2110.0501
50	110	12	DL	NBR	22.2110.0438
50,8	66,62	7,95	AEX DL	NBR	22.2140.5086
50,8	69,85	7,95	AEX DL	NBR	22.2140.0050
50,8	80,97	11,91	T2 SL	NBR	22.2350.8097
51	64	7	DL	NBR	22.2110.5164
51	72	10	SL	NBR	22.2100.0501
52	65	9	AEX DL	NBR	22.2140.5269
52	68	7	AEX SL	NBR	22.2300.5269
52	68	8	AEX DL	NBR	22.2140.6554
52	68	10	AEX DL	NBR	22.2140.5268
52	70	10	AEX DL	NBR	22.2140.5270
52	72	8	AEX SL	NBR	22.2300.5272
52	75	10	T2 SL	NBR	22.2350.5275
52	80	10	AEX SL	NBR	22.2300.5280
52	80	13	AEX DL	NBR	22.2140.5280
52	85	10	T2 SL	NBR	22.2350.5285
52	60	8	SL	NBR	22.2100.0520
52	62	7	SL	NBR	22.2100.5262
52	62	8	SL	FKM	22.2200.5062
52	65	8	SL	NBR	22.2100.0526
52	65	9	DL	NBR	22.2110.5525
52	68	7	SL	NBR	22.2100.6003
52	68	7	DL	NBR	22.2110.5268
52	68	8	SL	NBR	22.2100.5269
52	68	8	SL	FKM	22.2200.5268
52	68	8	DL	NBR	22.2110.5529
52	68	8	DL	FKM	22.2210.5268
52	68	10	SL	NBR	22.2100.5268
52	68	10	DL	NBR	22.2110.0526
52	68	13	DL	NBR	22.2110.5287

ID: Inner Diameter
OD: Outer Diameter
H: Height

ID	OD	H	Type	Material	Item no.
52	69	10	SL	NBR	22.2100.8008
52	69	10	DL	NBR	22.2110.5228
52	70	7	DL	NBR	22.2110.5270
52	70	8	DL	NBR	22.2110.5244
52	70	10	SL	NBR	22.2100.5270
52	72	8	SL	NBR	22.2100.5272
52	72	8	SL	FKM	22.2200.5272
52	72	8	DL	NBR	22.2110.5566
52	72	8	DL	FKM	22.2210.5272
52	72	10	SL	NBR	22.2100.3333
52	72	10	SL	FKM	22.2200.5273
52	72	10	DL	NBR	22.2110.8844
52	72	12	SL	NBR	22.2100.2117
52	72	12	DL	NBR	22.2110.5588
52	75	10	SL	NBR	22.2100.5275
52	75	10	DL	NBR	22.2110.4410
52	75	10	DL	FKM	22.2210.5275
52	75	12	SL	NBR	22.2100.5212
52	75	12	DL	NBR	22.2110.4412
52	76	12	SL	NBR	22.2100.5276
52	78	12	DL	NBR	22.2110.5278
52	80	8	DL	NBR	22.2110.5280
52	80	10	SL	NBR	22.2100.4489
52	80	13	DL	NBR	22.2110.5213
52	85	8	SL	NBR	22.2100.5285
52	85	10	SL	NBR	22.2100.0611
52	85	10	DL	NBR	22.2110.4499
52	100	10	DL	NBR	22.2110.0174
52	100	10	DL	FKM	22.2210.0036
53	65	10	DL	NBR	22.2110.0533
53	68	10	SL	NBR	22.2100.5368
53	68	10	SL	FKM	22.2200.5368
53	68	10	DL	NBR	22.2110.7714
53	72	10	DL	NBR	22.2110.7436
53	80	10	SL	NBR	22.2100.5380
53	80	10	SL	FKM	22.2200.5380
53,97	73,02	9,52	AEX DL	NBR	22.2140.5397
53,97	73,02	11,13	AEX DL	NBR	22.2140.0539
54	72	10	T2 SL	NBR	22.2350.5472
54	80	10	T2 SL	NBR	22.2350.5480
54	80	13	T2 SL	NBR	22.2350.5413
54	68	8	DL	NBR	22.2110.5468
54	68	10	DL	NBR	22.2110.9855
54	68	10,5	SL	FKM	22.2200.5468
54	70	9	DL	NBR	22.2110.5470
54	70	10	DL	NBR	22.2110.5410

ID	OD	H	Type	Material	Item no.
54	70	12	SL	FKM	22.2200.5470
54	72	8	SL	NBR	22.2100.7485
54	72	8	DL	NBR	22.2110.0548
54	72	9	DL	NBR	22.2110.8700
54	72	10	SL	NBR	22.2100.3833
54	72	10	SL	FKM	22.2200.5472
54	72	10	DL	NBR	22.2110.2288
54	74	10	DL	NBR	22.2110.5474
54	75	12	SL	NBR	22.2100.5475
54	76	8	DL	NBR	22.2110.5476
54	76	12,5	SL	FKM	22.2200.5476
54	78	12	SL	NBR	22.2100.4544
54	80	13	DL	NBR	22.2110.5480
54	81	10	DL	FKM	22.2210.5481
54	82	10	DL	NBR	22.2110.1933
54	85	8	SL	NBR	22.2100.0884
54	85	8	DL	NBR	22.2110.5485
54	85	10	DL	NBR	22.2110.6535
54	90	10	SL	FKM	22.2200.5490
54	90	13	SL	FKM	22.2200.5413
55	70	8	AEX SL	NBR	22.2300.5570
55	70	8	AEX DL	NBR	22.2140.5570
55	72	8	AEX DL	FKM	22.2240.5572
55	75	12	T2 SL	NBR	22.2350.5512
55	80	10	AEX DL	NBR	22.2140.5580
55	80	10	T2 SL	NBR	22.2350.0444
55	85	8	AEX SL	NBR	22.2300.5585
55	85	10	T2 SL	NBR	22.2350.5585
55	85	13	T2 SL	NBR	22.2350.5513
55	63	5	AN SL SR	NBR	22.2122.5563
55	65	8	SL	NBR	22.2100.5565
55	65	8	DL	NBR	22.2110.5565
55	68	8	SL	NBR	22.2100.1000
55	68	8	SL	FKM	22.2200.5868
55	68	8	DL	NBR	22.2110.1000
55	68	9	SL	NBR	22.2100.5529
55	70	6	DL	NBR	22.2110.5576
55	70	7	SL	NBR	22.2100.0360
55	70	8	SL	NBR	22.2100.5570
55	70	8	SL	FKM	22.2200.5579
55	70	8	DL	NBR	22.2110.5570
55	70	8	DL	FKM	22.2210.5570
55	70	9	SL	NBR	22.2100.3425
55	70	9	DL	NBR	22.2110.2000
55	70	10	SL	NBR	22.2100.5503
55	70	10	SL	FKM	22.2200.5570

ID: Inner Diameter
OD: Outer Diameter
H: Height

ID	OD	H	Type	Material	Item no.
55	70	10	DL	NBR	22.2110.2843
55	70	10	DL	FKM	22.2210.0557
55	72	7	DL	NBR	22.2110.3671
55	72	8	SL	NBR	22.2100.5572
55	72	8	SL	FKM	22.2200.5578
55	72	8	DL	NBR	22.2110.0055
55	72	8	DL	FKM	22.2210.5572
55	72	9	DL	NBR	22.2110.0551
55	72	10	SL	NBR	22.2100.5573
55	72	10	SL	FKM	22.2200.5572
55	72	10	DL	NBR	22.2110.5572
55	72	10	DL	FKM	22.2210.0235
55	72	12	DL	NBR	22.2110.0552
55	75	8	SL	NBR	22.2100.0554
55	75	8	SL	FKM	22.2200.5755
55	75	8	DL	NBR	22.2110.5987
55	75	8	DL	FKM	22.2210.5575
55	75	10	SL	NBR	22.2100.5575
55	75	10	SL	FKM	22.2200.5672
55	75	10	DL	NBR	22.2110.0556
55	75	10	DL	FKM	22.2210.3002
55	75	12	SL	NBR	22.2100.5576
55	75	12	DL	NBR	22.2110.5575
55	75	12	DL	FKM	22.2210.0007
55	76	8	DL	NBR	22.2110.0578
55	76	12	DL	NBR	22.2110.0557
55	78	8	DL	NBR	22.2110.0558
55	78	10	SL	NBR	22.2100.0557
55	78	10	DL	NBR	22.2110.4401
55	78	12	DL	NBR	22.2110.9901
55	80	8	SL	NBR	22.2100.5582
55	80	8	SL	FKM	22.2200.5580
55	80	8	DL	NBR	22.2110.9902
55	80	10	SL	NBR	22.2100.9998
55	80	10	SL	FKM	22.2200.5581
55	80	10	DL	NBR	22.2110.5580
55	80	10	DL	FKM	22.2210.5580
55	80	12	SL	NBR	22.2100.0998
55	80	12	DL	NBR	22.2110.0997
55	80	13	SL	NBR	22.2100.5581
55	80	13	DL	NBR	22.2110.5513
55	82	10	DL	NBR	22.2110.9987
55	82	12	DL	NBR	22.2110.5582
55	84	14	DL	NBR	22.2110.5584
55	85	8	SL	NBR	22.2100.5585
55	85	8	DL	NBR	22.2110.5578

ID	OD	H	Type	Material	Item no.
55	85	10	SL	NBR	22.2100.2366
55	85	10	SL	FKM	22.2200.1245
55	85	10	DL	NBR	22.2110.1900
55	85	10	DL	FKM	22.2210.5585
55	85	12	SL	NBR	22.2100.8555
55	85	12	DL	NBR	22.2110.5585
55	85	13	DL	NBR	22.2110.8555
55	88	10	DL	NBR	22.2110.8810
55	88	12	DL	NBR	22.2110.5512
55	90	8	DL	NBR	22.2110.0908
55	90	10	SL	NBR	22.2100.5590
55	90	10	DL	NBR	22.2110.5590
55	90	10	DL	FKM	22.2210.5590
55	90	12	DL	NBR	22.2110.4758
55	90	13	SL	NBR	22.2100.6532
55	90	13	DL	NBR	22.2110.9055
55	100	10	SL	NBR	22.2100.4691
55	100	10	DL	NBR	22.2110.5500
55	100	10	DL	FKM	22.2210.0032
55	100	12	SL	NBR	22.2100.0971
55	100	12	DL	NBR	22.2110.5502
56	80	10	T2 SL	NBR	22.2350.5680
56	65	12	DL	NBR	22.2110.5665
56	69	10	SL	NBR	22.2100.5696
56	70	8	SL	NBR	22.2100.5670
56	70	8	SL	FKM	22.2200.5670
56	70	8	DL	NBR	22.2110.5670
56	70	8	DL	FKM	22.2210.5670
56	70	9	DL	NBR	22.2110.1674
56	72	7	DL	NBR	22.2110.5672
56	72	8	SL	NBR	22.2100.5672
56	72	8	DL	FKM	22.2210.5672
56	74	10	DL	NBR	22.2110.4717
56	76	11	SL	FKM	22.2200.5611
56	80	8	SL	NBR	22.2100.0984
56	80	8	SL	FKM	22.2200.6541
56	80	8	DL	NBR	22.2110.5680
56	80	12	SL	FKM	22.2200.5612
56	80	12	DL	NBR	22.2110.5682
56	85	8	SL	NBR	22.2100.8414
56	85	13	DL	NBR	22.2110.5685
56	86	13	DL	NBR	22.2110.5686
56	100	10	SL	NBR	22.2100.5610
56	100	10	DL	NBR	22.2110.5601
56	100	12	DL	NBR	22.2110.5610
57	68	9	AEX DL	NBR	22.2140.5768

ID: Inner Diameter
OD: Outer Diameter
H: Height

ID	OD	H	Type	Material	Item no.
57	85	12	AEX SL	NBR	22.2300.5785
57	72	10	DL	NBR	22.2110.6300
57	73	7	DL	NBR	22.2110.5773
57	75	12	SL	NBR	22.2100.4457
57	85	12	DL	NBR	22.2110.5785
57	86	13	DL	NBR	22.2110.5786
57	90	13	SL	NBR	22.2100.4741
57	90	13	DL	NBR	22.2110.4741
57,15	76,2	9,52	AEX DL	FKM	22.2240.0102
58	75	8	AEX SL	NBR	22.2300.5875
58	68	9	DL	NBR	22.2110.5868
58	72	8	SL	NBR	22.2100.5872
58	72	8	DL	NBR	22.2110.5872
58	72	8	DL	FKM	22.2210.5872
58	72	9	SL	NBR	22.2100.5691
58	72	9	DL	NBR	22.2110.6772
58	72	10	SL	FKM	22.2200.5810
58	72	12	DL	NBR	22.2110.5871
58	75	5	SL	NBR	22.2100.8120
58	75	9	DL	NBR	22.2110.4588
58	75	10	SL	NBR	22.2100.2185
58	75	12	SL	NBR	22.2100.3982
58	75	13	DL	NBR	22.2110.5875
58	78	13	SL	NBR	22.2100.4714
58	78	13	SL	FKM	22.2200.5878
58	80	8	SL	NBR	22.2100.5808
58	80	8	SL	FKM	22.2200.5880
58	80	8	DL	NBR	22.2110.5880
58	80	8	DL	FKM	22.2210.5880
58	80	10	SL	NBR	22.2100.5880
58	80	10	SL	FKM	22.2200.5881
58	80	10	DL	NBR	22.2110.0794
58	80	12	SL	NBR	22.2100.2365
58	80	12	DL	NBR	22.2110.7544
58	80	13	SL	NBR	22.2100.6001
58	80	13	DL	NBR	22.2110.3641
58	82	12	DL	NBR	22.2110.5882
58	85	10	SL	NBR	22.2100.5885
58	85	10	DL	NBR	22.2110.5885
58	85	13	SL	NBR	22.2100.5813
58	86	14	SL	FKM	22.2200.5886
58	90	8	DL	NBR	22.2110.0588
58	90	10	SL	NBR	22.2100.9058
58	90	10	DL	NBR	22.2110.0581
58	90	11	DL	NBR	22.2110.5890
60	72	7	AEX SL	NBR	22.2300.0045

ID	OD	H	Type	Material	Item no.
60	72	8	AEX SL	NBR	22.2300.6072
60	74	8	AEX SL	NBR	22.2300.6074
60	75	8	AEX SL	NBR	22.2300.6075
60	75	8	AEX DL	NBR	22.2140.6075
60	80	8	AEX SL	NBR	22.2300.6088
60	80	10	AEX SL	NBR	22.2300.6011
60	80	10	AEX DL	NBR	22.2140.6080
60	80	10	T2 SL	NBR	22.2350.6080
60	80	12	AEX DL	NBR	22.2140.6012
60	80	13	AEX DL	NBR	22.2140.0609
60	82	12	AEX DL	NBR	22.2140.8212
60	85	8	AEX SL	NBR	22.2300.6085
60	85	10	T2 SL	NBR	22.2350.8560
60	90	10	T2 SL	NBR	22.2350.6090
60	90	12	AEX SL	NBR	22.2300.0600
60	95	10	T2 SL	NBR	22.2350.6095
60	70	7	SL	NBR	22.2100.6070
60	72	8	SL	NBR	22.2100.3514
60	72	8	DL	NBR	22.2110.6072
60	72	12	DL	NBR	22.2110.9988
60	74	10	SL	NBR	22.2100.9989
60	74	10	DL	NBR	22.2110.6074
60	75	7	SL	NBR	22.2100.6077
60	75	7	DL	NBR	22.2110.0229
60	75	8	SL	NBR	22.2100.6075
60	75	8	SL	FKM	22.2200.6075
60	75	8	DL	NBR	22.2110.8899
60	75	8	DL	FKM	22.2210.6075
60	75	9	SL	NBR	22.2100.6076
60	75	10	SL	NBR	22.2100.7560
60	75	10	SL	FKM	22.2200.0035
60	75	10	DL	NBR	22.2110.6677
60	75	10	DL	FKM	22.2210.0060
60	75	12	SL	NBR	22.2100.6698
60	75	12	SL	FKM	22.2200.5034
60	75	12	DL	NBR	22.2110.6075
60	76	10	SL	NBR	22.2100.6677
60	78	7	SL	NBR	22.2100.6088
60	78	10	SL	NBR	22.2100.1960
60	78	10	SL	FKM	22.2200.6078
60	78	10	DL	NBR	22.2110.6602
60	78	12	DL	NBR	22.2110.6012
60	78	13	SL	NBR	22.2100.6078
60	80	7	SL	FKM	22.2200.0607
60	80	7	DL	NBR	22.2110.6603
60	80	7	DL	FKM	22.2210.6080

ID: Inner Diameter
OD: Outer Diameter
H: Height

ID	OD	H	Type	Material	Item no.
60	80	8	SL	NBR	22.2100.6080
60	80	8	SL	FKM	22.2200.6088
60	80	8	DL	NBR	22.2110.6604
60	80	8	DL	FKM	22.2210.0608
60	80	9	SL	NBR	22.2100.6099
60	80	9	DL	NBR	22.2110.6605
60	80	9	DL	FKM	22.2210.0609
60	80	10	SL	NBR	22.2100.6081
60	80	10	SL	FKM	22.2200.6080
60	80	10	DL	NBR	22.2110.6606
60	80	10	DL	FKM	22.2210.6010
60	80	12	SL	NBR	22.2100.6082
60	80	12	SL	FKM	22.2200.6012
60	80	12	DL	NBR	22.2110.6607
60	80	12	DL	FKM	22.2210.0660
60	80	13	SL	NBR	22.2100.6083
60	80	13	SL	FKM	22.2200.6013
60	80	13	DL	NBR	22.2110.6608
60	82	7	DL	NBR	22.2110.6609
60	82	9	DL	NBR	22.2110.6610
60	82	10	DL	NBR	22.2110.6082
60	82	12	SL	NBR	22.2100.6605
60	82	12	DL	NBR	22.2110.6611
60	85	8	SL	NBR	22.2100.6085
60	85	8	SL	FKM	22.2200.0608
60	85	8	DL	NBR	22.2110.6612
60	85	8	DL	FKM	22.2210.0685
60	85	10	SL	NBR	22.2100.6086
60	85	10	SL	FKM	22.2200.6085
60	85	10	DL	NBR	22.2110.6614
60	85	10	DL	FKM	22.2210.6085
60	85	12	SL	NBR	22.2100.6608
60	85	12	DL	NBR	22.2110.6615
60	85	13	SL	NBR	22.2100.8560
60	85	13	SL	FKM	22.2200.9518
60	85	13	DL	NBR	22.2110.6616
60	88	12	DL	NBR	22.2110.6617
60	89	11	SL	NBR	22.2100.6089
60	90	8	SL	NBR	22.2100.6609
60	90	8	SL	FKM	22.2200.0609
60	90	8	DL	NBR	22.2110.6618
60	90	8	DL	FKM	22.2210.6090
60	90	10	SL	NBR	22.2100.6090
60	90	10	SL	FKM	22.2200.6091
60	90	10	DL	NBR	22.2110.9661
60	90	10	DL	FKM	22.2210.6565

ID	OD	H	Type	Material	Item no.
60	90	13	SL	NBR	22.2100.6091
60	90	13	SL	FKM	22.2200.6090
60	90	13	DL	NBR	22.2110.6621
60	90	16	DL	NBR	22.2110.6090
60	95	10	SL	NBR	22.2100.6095
60	95	10	SL	FKM	22.2200.6095
60	95	10	DL	NBR	22.2110.6625
60	95	12	DL	NBR	22.2110.6626
60	95	13	DL	NBR	22.2110.6627
60	100	10	SL	NBR	22.2100.6610
60	100	10	SL	FKM	22.2200.2345
60	100	10	DL	NBR	22.2110.0601
60	100	10	DL	FKM	22.2210.0123
60	100	13	SL	NBR	22.2100.6660
60	100	13	SL	FKM	22.2200.8784
60	110	10	DL	NBR	22.2110.6629
60	110	12	SL	NBR	22.2100.6010
60	110	12	DL	NBR	22.2110.0307
60	110	12	DL	FKM	22.2210.6011
60	110	13	SL	NBR	22.2100.6611
60	110	13	SL	FKM	22.2200.8500
60,32	79,37	9,52	T2 DL	NBR	22.2354.6032
61	75	8	AEX SL	NBR	22.2300.6175
61	75	8	SL	FKM	22.2200.6175
62	75	10	AEX SL	NBR	22.2300.6275
62	80	12	T2 SL	NBR	22.2350.0628
62	85	13	T2 SL	NBR	22.2350.0332
62	90	10	T2 SL	NBR	22.2350.6290
62	72	9	DL	NBR	22.2110.6272
62	80	10	SL	NBR	22.2100.6280
62	80	10	DL	NBR	22.2110.0628
62	80	12	SL	FKM	22.2200.6280
62	80	12	DL	NBR	22.2110.6281
62	82	10	DL	NBR	22.2110.6282
62	83	9	DL	NBR	22.2110.6283
62	85	8	DL	NBR	22.2110.6285
62	85	10	SL	NBR	22.2100.3156
62	85	10	SL	FKM	22.2200.6285
62	85	10	DL	NBR	22.2110.4154
62	85	10	DL	FKM	22.2210.6285
62	85	12	SL	NBR	22.2100.6285
62	85	12	DL	NBR	22.2110.1986
62	85	13	SL	FKM	22.2200.6213
62	90	10	SL	NBR	22.2100.0629
62	90	10	SL	FKM	22.2200.6290
62	90	10	DL	NBR	22.2110.6290

ID: Inner Diameter
OD: Outer Diameter
H: Height

ID	OD	H	Type	Material	Item no.
62	90	10	DL	FKM	22.2210.6290
62	90	11	SL	FKM	22.2200.6291
62	90	12	DL	NBR	22.2110.6295
62	90	13	SL	NBR	22.2100.6213
62	90	13	DL	NBR	22.2110.0062
62	100	10	SL	FKM	22.2200.6200
62	100	12	DL	NBR	22.2110.2809
62	101	15	DL	NBR	22.2110.6211
62	110	13	SL	NBR	22.2100.0062
62	120	12	SL	FKM	22.2200.0073
63	75	9	DL	NBR	22.2110.0004
63	80	9	DL	NBR	22.2110.0077
63	80	12	DL	NBR	22.2110.0293
63	85	10	SL	NBR	22.2100.6598
63	85	10	SL	FKM	22.2200.6385
63	85	10	DL	NBR	22.2110.5814
63	85	10	DL	FKM	22.2210.6385
63	88	10	DL	NBR	22.2110.7797
63	90	10	DL	NBR	22.2110.9063
63	90	10	DL	FKM	22.2210.6390
63	110	12	SL	NBR	22.2100.6311
63,5	88,9	9,52	T2 DL	NBR	22.2354.0635
63,5	90,1	9,52	T2 SL	NBR	22.2350.6359
64	90	10	T2 SL	NBR	22.2350.6490
64	90	13	AEX DL	NBR	22.2140.6490
64	80	8	SL	NBR	22.2100.2180
64	80	8	SL	FKM	22.2200.6480
64	80	8	DL	NBR	22.2110.0648
64	80	13	DL	NBR	22.2110.6480
64	85	10	SL	NBR	22.2100.6485
64	85	12	DL	NBR	22.2110.6485
64	86	10	DL	NBR	22.2110.6486
64	90	13	DL	NBR	22.2110.6490
64	90	13	DL	FKM	22.2210.6490
65	80	8	AEX SL	NBR	22.2300.6588
65	85	10	AEX DL	NBR	22.2140.6585
65	85	12	AEX DL	NBR	22.2140.8541
65	85	13	T2 SL	NBR	22.2350.6585
65	90	10	AEX DL	NBR	22.2140.6590
65	90	12	T2 SL	NBR	22.2350.0659
65	90	13	AEX SL	NBR	22.2300.6513
65	90	13	AEX DL	NBR	22.2140.7874
65	100	10	T2 SL	NBR	22.2350.6510
65	100	12	T2 SL	NBR	22.2350.6511
65	100	13	AEX DL	NBR	22.2140.6510
65	110	10	AEX DL	NBR	22.2140.0093

ID	OD	H	Type	Material	Item no.
65	75	8	DL	NBR	22.2110.0123
65	80	8	SL	NBR	22.2100.6580
65	80	8	SL	FKM	22.2200.6580
65	80	8	DL	NBR	22.2110.8065
65	80	8	DL	FKM	22.2210.6508
65	80	10	DL	NBR	22.2110.6580
65	80	10	DL	FKM	22.2210.6580
65	80	12	SL	NBR	22.2100.6794
65	80	12	DL	NBR	22.2110.0013
65	82	9	DL	NBR	22.2110.6582
65	82	10	SL	NBR	22.2100.6582
65	82	12	SL	NBR	22.2100.3099
65	83	10	DL	NBR	22.2110.6583
65	85	8	SL	NBR	22.2100.1791
65	85	8	SL	FKM	22.2200.6586
65	85	8	DL	NBR	22.2110.1546
65	85	10	SL	NBR	22.2100.0911
65	85	10	SL	NBR	22.2100.6585
65	85	10	SL	FKM	22.2200.6585
65	85	10	DL	NBR	22.2110.5744
65	85	10	DL	FKM	22.2210.6585
65	85	12	SL	NBR	22.2100.0658
65	85	12	SL	FKM	22.2200.3511
65	85	12	DL	NBR	22.2110.4854
65	85	13	DL	NBR	22.2110.9856
65	85	13	DL	FKM	22.2210.6588
65	85	16	DL	FKM	22.2210.6586
65	88	12	DL	NBR	22.2110.8865
65	90	8	DL	NBR	22.2110.0698
65	90	10	SL	NBR	22.2100.6590
65	90	10	SL	FKM	22.2200.6591
65	90	10	DL	NBR	22.2110.5107
65	90	10	DL	FKM	22.2210.6590
65	90	12	SL	NBR	22.2100.9065
65	90	12	SL	FKM	22.2200.6590
65	90	12	DL	NBR	22.2110.6590
65	90	13	SL	FKM	22.2200.6513
65	90	13	DL	NBR	22.2110.0715
65	90	13	DL	NBR	22.2110.6048
65	90	13	DL	FKM	22.2210.6513
65	90	15	DL	NBR	22.2110.6515
65	92	12	SL	NBR	22.2100.0650
65	92	13	DL	NBR	22.2110.6592
65	95	10	SL	NBR	22.2100.6000
65	95	10	SL	FKM	22.2200.6595
65	95	10	DL	NBR	22.2110.3694

ID: Inner Diameter
OD: Outer Diameter
H: Height

ID	OD	H	Type	Material	Item no.
65	95	10	DL	FKM	22.2210.6595
65	95	12	DL	NBR	22.2110.6595
65	95	13	SL	FKM	22.2200.3007
65	95	13	DL	NBR	22.2110.0494
65	100	10	SL	NBR	22.2100.6510
65	100	10	DL	NBR	22.2110.7410
65	100	10	DL	FKM	22.2210.6510
65	100	12	SL	NBR	22.2100.6438
65	100	12	SL	FKM	22.2200.0031
65	100	12	DL	NBR	22.2110.0041
65	100	13	SL	NBR	22.2100.6130
65	100	13	SL	FKM	22.2200.4853
65	100	13	DL	NBR	22.2110.6845
65	110	10	SL	NBR	22.2100.4687
65	110	10	SL	FKM	22.2200.6511
65	110	10	DL	NBR	22.2110.8674
65	120	10	DL	NBR	22.2110.0176
65	120	12	SL	NBR	22.2100.6512
65	120	12	DL	FKM	22.2210.6512
65	120	13	DL	NBR	22.2110.6512
65	125	12	SL	NBR	22.2100.6235
65	125	12	SL	FKM	22.2200.6512
65	140	10	DL	NBR	22.2110.6510
66	100	11	SL	NBR	22.2100.6686
66,67	89,02	12,7	AEX DL	NBR	22.2140.6667
67	85	10	T2 SL	NBR	22.2350.6785
67	89	13	AEX DL	NBR	22.2140.6789
68	85	10	AEX SL	NBR	22.2300.6004
68	90	10	AEX SL	NBR	22.2300.6890
68	90	10	T2 SL	NBR	22.2350.6890
68	90	13	AEX SL	NBR	22.2300.1854
68	80	8	DL	NBR	22.2110.1845
68	80	10	DL	NBR	22.2110.6880
68	82	7	DL	NBR	22.2110.0451
68	82	10	SL	NBR	22.2100.6882
68	85	8	SL	NBR	22.2100.3123
68	85	10	SL	NBR	22.2100.4451
68	85	10	DL	NBR	22.2110.6415
68	85	13	DL	NBR	22.2110.4115
68	87	8	DL	NBR	22.2110.3541
68	90	7	DL	NBR	22.2110.0127
68	90	10	SL	NBR	22.2100.6890
68	90	10	SL	FKM	22.2200.6890
68	90	10	DL	NBR	22.2110.4519
68	90	10	DL	FKM	22.2210.6890
68	90	12	SL	NBR	22.2100.6812

ID	OD	H	Type	Material	Item no.
68	90	12	DL	NBR	22.2110.9147
68	90	13	DL	NBR	22.2110.6890
68	95	13	SL	NBR	22.2100.0642
68	95	13	DL	NBR	22.2110.5694
68	100	10	SL	FKM	22.2200.6681
68	100	10	DL	NBR	22.2110.6800
68	100	12	DL	NBR	22.2110.0485
68	100	13	SL	NBR	22.2100.6813
68	110	13	DL	NBR	22.2110.6811
69	90	10	SL	NBR	22.2100.0648
69,85	98,43	11,91	AEX SL	NBR	22.2300.6985
70	85	6	AEX SL	NBR	22.2300.7086
70	85	8	AEX SL	NBR	22.2300.0070
70	85	8	T2 SL	NBR	22.2350.0070
70	90	10	AEX SL	NBR	22.2300.7091
70	90	10	AEX DL	NBR	22.2140.7090
70	90	10	T2 SL	NBR	22.2350.7090
70	95	13	AEX DL	NBR	22.2140.7095
70	100	10	AEX SL	NBR	22.2300.7010
70	100	13	T2 SL	NBR	22.2350.7010
70	105	13	AEX DL	NBR	22.2140.7015
70	110	10	AEX SL	NBR	22.2300.9008
70	80	6	SL	NBR	22.2100.7080
70	80	10	DL	NBR	22.2110.2180
70	83	5	SL	NBR	22.2100.7083
70	84	8	DL	NBR	22.2110.0708
70	85	7	SL	NBR	22.2100.7085
70	85	8	SL	NBR	22.2100.4152
70	85	8	SL	FKM	22.2200.7085
70	85	8	DL	NBR	22.2110.7085
70	85	8	DL	FKM	22.2210.7085
70	85	10	SL	NBR	22.2100.0609
70	85	10	SL	FKM	22.2200.4214
70	85	10	DL	NBR	22.2110.4967
70	86	8,5	SL	NBR	22.2100.7086
70	88	8	DL	NBR	22.2110.0888
70	88	9	SL	FKM	22.2200.7088
70	90	7	SL	NBR	22.2100.0907
70	90	7	DL	NBR	22.2110.7090
70	90	7	DL	FKM	22.2210.0709
70	90	10	SL	NBR	22.2100.7090
70	90	10	SL	FKM	22.2200.7091
70	90	10	DL	NBR	22.2110.0770
70	90	10	DL	FKM	22.2210.7090
70	90	12	SL	NBR	22.2100.7091
70	90	12	SL	FKM	22.2200.7096

ID: Inner Diameter
OD: Outer Diameter
H: Height

ID	OD	H	Type	Material	Item no.
70	90	12	DL	NBR	22.2110.7092
70	90	13	SL	NBR	22.2100.7089
70	90	13	SL	FKM	22.2200.7090
70	90	13	DL	NBR	22.2110.0771
70	92	12	SL	NBR	22.2100.0770
70	92	12	DL	NBR	22.2110.0775
70	92	13	SL	NBR	22.2100.7092
70	92	13	DL	NBR	22.2110.0777
70	93	12	DL	NBR	22.2110.7093
70	95	10	SL	NBR	22.2100.0774
70	95	10	DL	NBR	22.2110.0779
70	95	10	DL	FKM	22.2210.7095
70	95	12	SL	NBR	22.2100.7095
70	95	12	DL	NBR	22.2110.7770
70	95	13	SL	NBR	22.2100.0779
70	95	13	DL	NBR	22.2110.7772
70	100	6	SL	NBR	22.2100.0305
70	100	8	DL	NBR	22.2110.7018
70	100	8	DL	FKM	22.2210.0708
70	100	10	SL	NBR	22.2100.7011
70	100	10	SL	FKM	22.2200.7010
70	100	10	DL	NBR	22.2110.7774
70	100	10	DL	FKM	22.2210.4521
70	100	12	SL	NBR	22.2100.7770
70	100	12	SL	FKM	22.2200.7012
70	100	12	DL	NBR	22.2110.7010
70	100	12	DL	NBR	22.2110.7775
70	100	13	SL	NBR	22.2100.7772
70	100	13	SL	FKM	22.2200.0103
70	100	13	DL	NBR	22.2110.7776
70	100	15	DL	NBR	22.2110.7015
70	105	10	SL	NBR	22.2100.0461
70	105	13	SL	NBR	22.2100.7774
70	105	13	DL	NBR	22.2110.7777
70	110	8	SL	NBR	22.2100.4040
70	110	8	SL	FKM	22.2200.7011
70	110	8	DL	NBR	22.2110.7789
70	110	8	DL	FKM	22.2210.7010
70	110	10	SL	NBR	22.2100.7799
70	110	10	DL	NBR	22.2110.7722
70	110	12	SL	NBR	22.2100.7010
70	110	12	SL	FKM	22.2200.7070
70	110	12	DL	NBR	22.2110.7011
70	110	12	DL	FKM	22.2210.7011
70	110	13	SL	NBR	22.2100.0787
70	110	13	DL	NBR	22.2110.7710

ID	OD	H	Type	Material	Item no.
70	111	13	SL	NBR	22.2100.3020
70	115	13	DL	NBR	22.2110.7755
70	115	15	SL	NBR	22.2100.1071
70	115	15	DL	NBR	22.2110.7745
70	120	13	SL	NBR	22.2100.8787
70	125	12	SL	NBR	22.2100.5500
70	125	12	DL	NBR	22.2110.5501
70	135	12	SL	NBR	22.2100.7013
72	84	7	AEX DL	NBR	22.2140.7284
72	90	10	AEX DL	NBR	22.2140.7290
72	95	13	AEX DL	NBR	22.2140.7295
72	85	8	SL	NBR	22.2100.7285
72	85	8	SL	FKM	22.2200.7285
72	85	10	SL	NBR	22.2100.0694
72	85	10	SL	FKM	22.2200.7284
72	86	7	DL	NBR	22.2110.7286
72	90	10	SL	NBR	22.2100.5504
72	95	10	SL	NBR	22.2100.7295
72	95	10	SL	FKM	22.2200.7295
72	95	10	DL	NBR	22.2110.7295
72	95	12	SL	NBR	22.2100.5506
72	95	12	DL	NBR	22.2110.0620
72	95	13	SL	NBR	22.2100.7296
72	100	10	SL	NBR	22.2100.7210
72	100	10	SL	FKM	22.2200.0234
72	100	10	DL	NBR	22.2110.5507
72	100	10	DL	FKM	22.2210.7210
72	100	12	DL	NBR	22.2110.7210
72	100	12	DL	FKM	22.2210.0023
72	100	13	SL	NBR	22.2100.5505
72	100	13	SL	FKM	22.2200.3741
72	100	13	DL	NBR	22.2110.7213
72	105	10	DL	NBR	22.2110.7205
72	105	13	DL	NBR	22.2110.5508
72	140	12	DL	FKM	22.2210.0033
73	90	8	AEX DL	NBR	22.2140.7390
73	95	10	SL	NBR	22.2100.5509
74	90	10	AEX DL	NBR	22.2140.7490
74	100	13	AEX SL	NBR	22.2300.7410
74	90	13	DL	NBR	22.2110.7490
74	95	10	DL	NBR	22.2110.7495
74	135	15	SL	NBR	22.2100.7413
74,61	92,08	9,52	T2 SL	NBR	22.2350.7492
75	95	5	AEX SL	NBR	22.2300.6365
75	95	10	AEX SL	NBR	22.2300.7595
75	95	10	AEX DL	NBR	22.2140.7595

ID: Inner Diameter
OD: Outer Diameter
H: Height

ID	OD	H	Type	Material	Item no.
75	95	10	T2 SL	NBR	22.2350.0759
75	100	10	AEX SL	NBR	22.2300.7475
75	100	10	AEX DL	NBR	22.2140.7510
75	100	10	T2 SL	NBR	22.2350.7511
75	100	12	AEX SL	NBR	22.2300.0777
75	100	12	T2 SL	NBR	22.2350.7510
75	100	13	AEX DL	NBR	22.2140.7513
75	100	13	T2 SL	NBR	22.2350.7513
75	105	12	AEX DL	NBR	22.2140.7552
75	105	12	T2 DL	NBR	22.2354.0075
75	110	10	AEX SL	NBR	22.2300.1414
75	110	13	AEX DL	NBR	22.2140.2511
75	115	13	T2 SL	NBR	22.2350.0751
75	90	6	DL	NBR	22.2110.5906
75	90	8	SL	NBR	22.2100.3233
75	90	8	SL	FKM	22.2200.7590
75	90	8	DL	NBR	22.2110.7590
75	90	10	SL	NBR	22.2100.7590
75	90	10	SL	FKM	22.2200.0334
75	90	10	DL	NBR	22.2110.3236
75	95	7	DL	NBR	22.2110.3234
75	95	8	SL	NBR	22.2100.7500
75	95	8	DL	NBR	22.2110.3237
75	95	8	DL	FKM	22.2210.0208
75	95	9	DL	NBR	22.2110.7595
75	95	10	SL	NBR	22.2100.7595
75	95	10	SL	FKM	22.2200.7555
75	95	10	DL	NBR	22.2110.0328
75	95	10	DL	FKM	22.2210.7595
75	95	12	SL	NBR	22.2100.7596
75	95	12	SL	FKM	22.2200.7595
75	95	12	DL	NBR	22.2110.5635
75	95	13	SL	NBR	22.2100.4685
75	98	12	DL	NBR	22.2110.7592
75	100	7	SL	NBR	22.2100.5544
75	100	10	SL	NBR	22.2100.7510
75	100	10	SL	FKM	22.2200.7510
75	100	10	DL	NBR	22.2110.1075
75	100	10	DL	FKM	22.2210.0075
75	100	12	SL	NBR	22.2100.7513
75	100	12	SL	FKM	22.2200.7512
75	100	12	DL	NBR	22.2110.7502
75	100	13	SL	NBR	22.2100.7511
75	100	13	DL	NBR	22.2110.2985
75	100	15	DL	NBR	22.2110.7515
75	102	12	SL	NBR	22.2100.7550

ID	OD	H	Type	Material	Item no.
75	102	12	DL	NBR	22.2110.3239
75	105	12	SL	NBR	22.2100.7005
75	105	12	DL	NBR	22.2110.7599
75	105	13	SL	NBR	22.2100.7599
75	105	13	DL	NBR	22.2110.7598
75	110	10	SL	NBR	22.2100.9480
75	110	10	DL	NBR	22.2110.7597
75	110	12	SL	NBR	22.2100.7598
75	110	12	SL	FKM	22.2200.7511
75	110	12	DL	NBR	22.2110.7596
75	110	13	SL	NBR	22.2100.6852
75	110	13	SL	FKM	22.2200.7454
75	110	13	DL	NBR	22.2110.4987
75	115	10	SL	NBR	22.2100.3308
75	115	10	DL	FKM	22.2210.0093
75	115	12	SL	NBR	22.2100.7515
75	115	13	DL	NBR	22.2110.0232
75	120	10	SL	NBR	22.2100.0029
75	120	12	SL	NBR	22.2100.8526
75	120	12	SL	FKM	22.2200.7522
75	120	12	DL	NBR	22.2110.7512
75	125	12	SL	NBR	22.2100.4553
75	130	12	SL	NBR	22.2100.4323
75	130	13	SL	NBR	22.2100.8474
76	100	12	DL	NBR	22.2110.5586
76	105	13	SL	NBR	22.2100.4987
76	105	13	SL	FKM	22.2200.7610
76	105	13	DL	NBR	22.2110.7498
77	100	10	SL	FKM	22.2200.7710
78	95	11	SL	NBR	22.2100.9678
78	100	10	SL	NBR	22.2100.7810
78	100	10	SL	FKM	22.2200.7810
78	100	10	DL	NBR	22.2110.8579
78	100	10	DL	FKM	22.2210.7810
78	100	12	DL	NBR	22.2110.5798
78	100	13	SL	NBR	22.2100.0781
78	100	13	DL	NBR	22.2110.7813
78	110	12	SL	NBR	22.2100.7811
78	110	12	DL	NBR	22.2110.9933
78	110	13	DL	NBR	22.2110.9875
80	100	10	AEX SL	NBR	22.2300.0801
80	100	10	AEX DL	NBR	22.2140.8011
80	100	10	T2 SL	NBR	22.2350.0080
80	100	12	T2 SL	NBR	22.2350.8010
80	105	10	AEX DL	NBR	22.2140.8019
80	105	13	AEX DL	NBR	22.2140.1052

ID: Inner Diameter
OD: Outer Diameter
H: Height

ID	OD	H	Type	Material	Item no.
80	105	13	AEX DL	FKM	22.2240.8105
80	110	12	T2 SL	NBR	22.2350.0811
80	110	13	AEX DL	NBR	22.2140.1113
80	150	12	AEX DL	NBR	22.2140.0815
80	95	8	SL	NBR	22.2100.9977
80	95	8	SL	FKM	22.2200.8095
80	95	8	DL	NBR	22.2110.8095
80	95	10	SL	NBR	22.2100.9988
80	95	10	DL	NBR	22.2110.0010
80	100	10	SL	NBR	22.2100.8010
80	100	10	SL	FKM	22.2200.8009
80	100	10	DL	NBR	22.2110.0989
80	100	10	DL	FKM	22.2210.8010
80	100	12	SL	NBR	22.2100.5084
80	100	12	SL	FKM	22.2200.8888
80	100	12	DL	NBR	22.2110.8010
80	100	13	SL	NBR	22.2100.8011
80	100	13	SL	FKM	22.2200.8013
80	100	13	DL	NBR	22.2110.0165
80	100	13	DL	FKM	22.2210.3012
80	100	14	SL	NBR	22.2100.8019
80	105	8,5	DL	NBR	22.2110.8085
80	105	10	DL	NBR	22.2110.1058
80	105	12	SL	NBR	22.2100.8888
80	105	12	SL	FKM	22.2200.8010
80	105	12	DL	NBR	22.2110.8960
80	105	13	SL	NBR	22.2100.0460
80	105	13	SL	FKM	22.2200.5447
80	105	13	DL	NBR	22.2110.4599
80	105	15	DL	NBR	22.2110.8015
80	108	15	DL	NBR	22.2110.8008
80	110	10	SL	NBR	22.2100.5467
80	110	10	SL	FKM	22.2200.4167
80	110	10	DL	NBR	22.2110.9416
80	110	10	DL	FKM	22.2210.8011
80	110	12	SL	NBR	22.2100.1937
80	110	12	SL	FKM	22.2200.8011
80	110	12	DL	NBR	22.2110.0994
80	110	13	SL	NBR	22.2100.8013
80	110	13	DL	NBR	22.2110.0130
80	110	15	DL	NBR	22.2110.5136
80	115	10	SL	NBR	22.2100.8999
80	115	10	DL	NBR	22.2110.0584
80	115	13	SL	NBR	22.2100.3330
80	115	13	DL	NBR	22.2110.8156
80	115	15	DL	NBR	22.2110.8115

ID	OD	H	Type	Material	Item no.
80	120	12	DL	NBR	22.2110.1897
80	120	13	SL	NBR	22.2100.8014
80	120	13	SL	FKM	22.2200.8002
80	120	13	DL	NBR	22.2110.5968
80	125	10	DL	NBR	22.2110.0226
80	125	10	DL	FKM	22.2210.0166
80	125	12	SL	NBR	22.2100.8015
80	125	12	SL	FKM	22.2200.8012
80	125	12	DL	NBR	22.2110.8012
80	125	13	SL	NBR	22.2100.8016
80	125	13	DL	NBR	22.2110.8125
80	130	13	SL	NBR	22.2100.0801
80	140	13	SL	NBR	22.2100.1548
80	140	13	SL	FKM	22.2200.8014
80	140	13	DL	NBR	22.2110.8013
80	150	15	DL	NBR	22.2110.0398
82	110	13	T2 SL	NBR	22.2350.8211
82	100	8	SL	NBR	22.2100.2851
82	105	10	DL	FKM	22.2210.0073
82	105	12	SL	NBR	22.2100.6453
82	105	12	DL	NBR	22.2110.0465
82	105	13	DL	NBR	22.2110.0415
82	110	12	SL	NBR	22.2100.8211
82	110	12	SL	FKM	22.2200.8211
82,55	107,95	11,91	AEX DL	NBR	22.2140.0825
83	97	8	SL	NBR	22.2100.8397
84	100	13	SL	NBR	22.2100.8401
84	105	12	DL	NBR	22.2110.8412
84	110	16	DL	NBR	22.2110.8416
85	100	9	AEX SL	NBR	22.2300.8554
85	105	10	AEX DL	NBR	22.2140.0555
85	105	13	T2 SL	NBR	22.2350.8512
85	110	12	AEX SL	NBR	22.2300.9644
85	110	12	AEX DL	NBR	22.2140.0504
85	110	12	T2 SL	NBR	22.2350.0085
85	130	13	T2 SL	NBR	22.2350.8517
85	100	6	DL	NBR	22.2110.8506
85	100	6	DL	FKM	22.2210.0199
85	100	7	SL	NBR	22.2100.0855
85	100	9	SL	NBR	22.2100.0859
85	100	10	SL	NBR	22.2100.1297
85	100	10	DL	NBR	22.2110.9354
85	100	12	SL	NBR	22.2100.3241
85	100	12	DL	NBR	22.2110.6541
85	100	13	DL	NBR	22.2110.8614
85	102	9	DL	NBR	22.2110.8529

ID: Inner Diameter
OD: Outer Diameter
H: Height

ID	OD	H	Type	Material	Item no.
85	102	13	SL	NBR	22.2100.0599
85	105	7	DL	FKM	22.2210.0176
85	105	8	SL	NBR	22.2100.8585
85	105	10	SL	NBR	22.2100.8510
85	105	10	DL	NBR	22.2110.8746
85	105	12	SL	NBR	22.2100.8514
85	105	12	DL	NBR	22.2110.0006
85	105	12	DL	FKM	22.2210.8510
85	105	13	SL	NBR	22.2100.1658
85	105	13	DL	NBR	22.2110.5330
85	107	7	DL	FKM	22.2210.8507
85	108	14	SL	NBR	22.2100.8108
85	110	10	SL	NBR	22.2100.4796
85	110	10	DL	NBR	22.2110.8501
85	110	12	SL	NBR	22.2100.0085
85	110	12	SL	FKM	22.2200.8512
85	110	12	DL	NBR	22.2110.5146
85	110	12	DL	FKM	22.2210.8511
85	110	13	SL	NBR	22.2100.8511
85	110	13	SL	FKM	22.2200.0805
85	110	13	DL	NBR	22.2110.8511
85	110	13	DL	FKM	22.2210.8513
85	110	15	SL	NBR	22.2100.0584
85	110	15	DL	NBR	22.2110.8515
85	115	13	SL	NBR	22.2100.5151
85	115	13	SL	FKM	22.2200.1545
85	115	13	DL	NBR	22.2110.4198
85	120	12	SL	NBR	22.2100.0054
85	120	12	SL	FKM	22.2200.0814
85	120	12	DL	NBR	22.2110.1435
85	120	13	SL	NBR	22.2100.4511
85	120	13	DL	NBR	22.2110.8513
85	120	13	DL	FKM	22.2210.8545
85	120	15	DL	NBR	22.2110.8512
85	120	17	DL	NBR	22.2110.8517
85	124	12	DL	NBR	22.2110.8524
85	125	7	SL	NBR	22.2100.8244
85	125	12	SL	FKM	22.2200.0254
85	125	13	DL	NBR	22.2110.2635
85	126	13	SL	FKM	22.2200.0984
85	130	10	DL	NBR	22.2110.8530
85	130	12	SL	NBR	22.2100.8512
85	130	12	DL	NBR	22.2110.1154
85	130	13	DL	NBR	22.2110.8533
85	130	13	DL	FKM	22.2210.0004
85	140	12	DL	NBR	22.2110.0396

ID	OD	H	Type	Material	Item no.
85	140	14	DL	NBR	22.2110.8540
85	150	12	DL	NBR	22.2110.2351
85	150	13	SL	NBR	22.2100.8515
85,72	111,12	9,5	T2 DL	NBR	22.2354.8572
86	110	13	AEX DL	NBR	22.2140.8611
86	110	13	SL	NBR	22.2100.8611
87	110	13	SL	FKM	22.2200.8711
88	100	13	SL	NBR	22.2100.8810
88	110	12	SL	NBR	22.2100.5261
88	110	13	SL	NBR	22.2100.5861
88	110	13	SL	FKM	22.2200.8811
88	115	12	DL	NBR	22.2110.8812
88	120	12	SL	NBR	22.2100.4576
88	126	12	SL	NBR	22.2100.8812
88	140	13	SL	NBR	22.2100.8814
89	114	14	DL	NBR	22.2110.8914
89	115	13	DL	NBR	22.2110.8913
90	110	8	AEX SL	NBR	22.2300.0908
90	110	10	AEX DL	NBR	22.2140.0030
90	110	13	AEX DL	NBR	22.2140.9013
90	115	9	AEX SL	NBR	22.2300.7474
90	115	13	AEX DL	NBR	22.2140.9011
90	118	12	T2 DL	NBR	22.2354.9011
90	120	10	AEX SL	NBR	22.2300.9012
90	120	13	AEX DL	NBR	22.2140.9120
90	130	13	T2 SL	NBR	22.2350.9013
90	105	5	SL SR	NBR	22.2160.9010
90	105	6	DL	NBR	22.2110.0242
90	105	10	SL	NBR	22.2100.0320
90	105	10	DL	NBR	22.2110.0043
90	110	8	SL	NBR	22.2100.9011
90	110	8	DL	NBR	22.2110.0590
90	110	8	DL	FKM	22.2210.9118
90	110	10	SL	NBR	22.2100.6185
90	110	10	DL	NBR	22.2110.0145
90	110	10	DL	FKM	22.2210.9110
90	110	12	SL	NBR	22.2100.9012
90	110	12	SL	FKM	22.2200.9011
90	110	12	DL	NBR	22.2110.9485
90	110	12	DL	FKM	22.2210.2210
90	110	13	SL	NBR	22.2100.9013
90	110	13	DL	NBR	22.2110.5241
90	110	13	DL	FKM	22.2210.9011
90	110	15	DL	NBR	22.2110.1456
90	115	8	SL	NBR	22.2100.9155
90	115	10	DL	NBR	22.2110.5461

ID: Inner Diameter
OD: Outer Diameter
H: Height

ID	OD	H	Type	Material	Item no.
90	115	12	DL	NBR	22.2110.9012
90	115	13	SL	NBR	22.2100.1475
90	115	13	SL	FKM	22.2200.9015
90	115	13	DL	NBR	22.2110.9013
90	115	13	DL	FKM	22.2210.0901
90	120	12	SL	NBR	22.2100.9010
90	120	12	SL	FKM	22.2200.9012
90	120	12	DL	NBR	22.2110.6145
90	120	12	DL	FKM	22.2210.9012
90	120	13	SL	NBR	22.2100.9014
90	120	13	SL	FKM	22.2200.3541
90	120	13	DL	NBR	22.2110.0084
90	120	15	DL	NBR	22.2110.9020
90	125	13	SL	NBR	22.2100.3844
90	125	13	DL	NBR	22.2110.9415
90	125	14	SL	NBR	22.2100.0901
90	125	14	SL	FKM	22.2200.1584
90	130	12	SL	NBR	22.2100.0561
90	130	12	DL	NBR	22.2110.3251
90	130	12	DL	FKM	22.2210.9013
90	130	13	SL	NBR	22.2100.9015
90	130	13	SL	FKM	22.2200.9013
90	130	13	DL	NBR	22.2110.1536
90	140	10	DL	NBR	22.2110.9141
90	140	13	SL	NBR	22.2100.9461
90	140	13	DL	NBR	22.2110.9000
92	105	10	DL	NBR	22.2110.9210
92	120	12	SL	NBR	22.2100.3152
92	120	12	DL	NBR	22.2110.9212
92	120	13	SL	NBR	22.2100.2981
92	120	13	SL	FKM	22.2200.9212
92	120	14	SL	FKM	22.2200.0331
93	120	13	SL	NBR	22.2100.9312
95	115	13	T2 SL	NBR	22.2350.9511
95	120	13	AEX SL	NBR	22.2300.4785
95	120	13	AEX DL	NBR	22.2140.9512
95	120	13	T2 SL	NBR	22.2350.9512
95	120	15	T2 SL	NBR	22.2350.0953
95	110	7	DL	NBR	22.2110.9507
95	110	10	SL	NBR	22.2100.9511
95	110	10	SL	FKM	22.2200.0121
95	110	10	DL	NBR	22.2110.1543
95	110	12	SL	FKM	22.2200.9511
95	110	12	DL	NBR	22.2110.2815
95	112	12	DL	NBR	22.2110.9512
95	115	11	SL	NBR	22.2100.6541

ID	OD	H	Type	Material	Item no.
95	115	12	DL	NBR	22.2110.0351
95	115	13	SL	NBR	22.2100.8645
95	115	13	SL	FKM	22.2200.3121
95	115	13	DL	NBR	22.2110.5284
95	115	13	DL	FKM	22.2210.9515
95	120	8	DL	NBR	22.2110.0036
95	120	10	SL	NBR	22.2100.0951
95	120	10	DL	NBR	22.2110.0023
95	120	10	DL	FKM	22.2210.0741
95	120	12	SL	NBR	22.2100.9512
95	120	12	SL	FKM	22.2200.9512
95	120	12	DL	NBR	22.2110.2100
95	120	12	DL	FKM	22.2210.9512
95	120	13	SL	NBR	22.2100.6415
95	120	13	SL	FKM	22.2200.9520
95	120	13	DL	NBR	22.2110.6245
95	120	13	DL	FKM	22.2210.0024
95	125	12	SL	NBR	22.2100.9515
95	125	12	SL	FKM	22.2200.9513
95	125	12	DL	NBR	22.2110.0486
95	125	12	DL	FKM	22.2210.0414
95	125	13	SL	NBR	22.2100.8874
95	125	13	SL	FKM	22.2200.8511
95	125	13	DL	FKM	22.2210.0474
95	125	15	DL	NBR	22.2110.3451
95	125	16	SL	NBR	22.2100.9516
95	127	12	SL	NBR	22.2100.9527
95	130	12	SL	NBR	22.2100.5846
95	130	12	DL	NBR	22.2110.4793
95	130	13	SL	NBR	22.2100.5200
95	130	13	SL	FKM	22.2200.2131
95	130	13	DL	NBR	22.2110.3246
95	130	15	DL	NBR	22.2110.9515
95	132	12	SL	NBR	22.2100.6159
95	135	13	SL	FKM	22.2200.9797
95	140	13	DL	NBR	22.2110.9540
95	145	13	SL	NBR	22.2100.9514
95	145	13	DL	NBR	22.2110.3465
95	150	15	SL	FKM	22.2200.9515
95	160	15	SL	NBR	22.2100.8000
95	170	13	DL	NBR	22.2110.0426
96	112	10	SL	NBR	22.2100.9611
97	123	14	DL	NBR	22.2110.9714
97	127	13	SL	NBR	22.2100.9712
97	130	14	SL	NBR	22.2100.9713
97	167	13	SL	NBR	22.2100.0975

ID: Inner Diameter
OD: Outer Diameter
H: Height

ID	OD	H	Type	Material	Item no.
98	120	13	AEX SL	NBR	22.2300.0981
98	120	13	AEX DL	NBR	22.2140.9812
98	130	13	AEX SL	NBR	22.2300.0414
98	116	10	DL	NBR	22.2110.0483
98	120	13	SL	NBR	22.2100.9812
98	120	13	DL	NBR	22.2110.9813
98	125	12	DL	NBR	22.2110.9812
98	125	13	SL	NBR	22.2100.8713
100	120	8	AEX SL	NBR	22.2300.1001
100	120	10	AEX SL	NBR	22.2300.1452
100	120	10	T2 SL	NBR	22.2350.0100
100	120	12	AEX DL	NBR	22.2140.8423
100	120	13	AEX DL	NBR	22.2140.1001
100	120	13	T2 SL	NBR	22.2350.1001
100	125	13	AEX DL	NBR	22.2140.1251
100	125	13	T2 SL	NBR	22.2350.1125
100	130	13	T2 SL	NBR	22.2350.1013
100	134	10	AEX SL	NBR	22.2300.0100
100	140	13	T2 SL	NBR	22.2350.1014
100	140	15	AEX DL	NBR	22.2140.0140
100	115	9	SL	NBR	22.2100.9449
100	115	9	SL	FKM	22.2200.1011
100	115	9	DL	FKM	22.2210.9874
100	115	10	SL	NBR	22.2100.1011
100	118	12	DL	NBR	22.2110.3695
100	120	7,5	SL	FKM	22.2200.1201
100	120	8	SL	NBR	22.2100.0675
100	120	10	SL	NBR	22.2100.0100
100	120	10	DL	NBR	22.2110.8962
100	120	10	DL	FKM	22.2210.1020
100	120	12	SL	NBR	22.2100.1012
100	120	12	SL	FKM	22.2200.1001
100	120	12	DL	NBR	22.2110.1001
100	120	12	DL	FKM	22.2210.0100
100	120	13	SL	NBR	22.2100.5564
100	120	13	SL	FKM	22.2200.0100
100	120	13	DL	NBR	22.2110.1697
100	120	13	DL	FKM	22.2210.0332
100	120	17	DL	NBR	22.2110.4509
100	125	8	DL	NBR	22.2110.1008
100	125	12	SL	NBR	22.2100.1005
100	125	12	SL	FKM	22.2200.1012
100	125	12	DL	NBR	22.2110.1005
100	125	12	DL	FKM	22.2210.1012
100	125	13	SL	NBR	22.2100.1002
100	125	13	SL	FKM	22.2200.1202

ID	OD	H	Type	Material	Item no.
100	125	13	DL	NBR	22.2110.3109
100	125	15	SL	NBR	22.2100.0349
100	127	13	SL	FKM	22.2200.9001
100	130	12	SL	NBR	22.2100.1001
100	130	12	SL	FKM	22.2200.1013
100	130	12	DL	NBR	22.2110.3291
100	130	12	DL	FKM	22.2210.1001
100	130	13	SL	NBR	22.2100.1003
100	130	13	SL	FKM	22.2200.9002
100	130	13	DL	NBR	22.2110.4954
100	130	14	SL	FKM	22.2200.9003
100	130	14	DL	NBR	22.2110.1954
100	135	12	DL	NBR	22.2110.1013
100	135	15	DL	FKM	22.2210.1013
100	140	12	DL	NBR	22.2110.9457
100	140	13	SL	NBR	22.2100.7451
100	140	13	SL	FKM	22.2200.9991
100	140	13	DL	NBR	22.2110.3272
100	150	12	SL	NBR	22.2100.1512
100	150	12	DL	NBR	22.2110.0386
100	150	13	SL	NBR	22.2100.4717
100	150	13	SL	FKM	22.2200.9992
100	150	13	DL	NBR	22.2110.0700
100	150	15	DL	NBR	22.2110.1500
100	160	14	DL	NBR	22.2110.0696
100	180	12	SL	NBR	22.2100.1646
100	180	12	DL	NBR	22.2110.0469
100	190	15	DL	NBR	22.2110.0395
104	120	13	SL	FKM	22.2200.0104
104	125	10	SL	NBR	22.2100.5218
105	120	11	AEX DL	NBR	22.2140.0105
105	120	13	AEX SL	NBR	22.2300.1012
105	125	13	T2 SL	NBR	22.2350.1051
105	130	13	AEX DL	NBR	22.2140.1056
105	130	13	T2 SL	NBR	22.2350.0105
105	120	8	DL	NBR	22.2110.1208
105	122	13	SL	NBR	22.2100.0490
105	125	10	SL	NBR	22.2100.0105
105	125	13	SL	FKM	22.2200.0105
105	125	13	DL	NBR	22.2110.2194
105	125	13	DL	FKM	22.2210.1052
105	127	10	DL	NBR	22.2110.1270
105	130	12	SL	NBR	22.2100.1051
105	130	12	SL	FKM	22.2200.1051
105	130	12	DL	NBR	22.2110.1053
105	130	12	DL	FKM	22.2210.8795

ID: Inner Diameter
OD: Outer Diameter
H: Height

ID	OD	H	Type	Material	Item no.
105	130	13	SL	NBR	22.2100.1052
105	130	13	DL	NBR	22.2110.1051
105	130	13	DL	FKM	22.2210.0452
105	130	15	SL	NBR	22.2100.0106
105	130	15	SL	FKM	22.2200.0106
105	135	13	DL	NBR	22.2110.0489
105	140	12	SL	NBR	22.2100.1054
105	140	12	SL	FKM	22.2200.1014
105	140	12	DL	NBR	22.2110.1209
105	140	12	DL	FKM	22.2210.1014
105	140	13	SL	NBR	22.2100.5484
105	140	13	SL	FKM	22.2200.1040
105	140	13	DL	NBR	22.2110.8894
105	145	15	DL	NBR	22.2110.1455
105	150	15	SL	NBR	22.2100.0894
105	150	15	DL	NBR	22.2110.1050
105	160	12	DL	NBR	22.2110.0392
105	160	12	DL	FKM	22.2210.0161
108	130	13	T2 SL	NBR	22.2350.0108
108	130	12	SL	NBR	22.2100.1083
110	128	9	AEX SL	NBR	22.2300.1121
110	130	13	AEX SL	NBR	22.2300.1101
110	130	13	T2 SL	NBR	22.2350.0111
110	140	12	AEX SL	NBR	22.2300.4587
110	140	13	AEX DL	NBR	22.2140.1114
110	140	13	T2 SL	NBR	22.2350.1101
110	160	16	T2 DL	NBR	22.2354.0066
110	125	9,5	DL	NBR	22.2110.1259
110	125	12	SL	NBR	22.2100.0110
110	128	9	SL	FKM	22.2200.0076
110	130	8	SL	NBR	22.2100.0130
110	130	8	SL	FKM	22.2200.0109
110	130	10	DL	NBR	22.2110.1103
110	130	12	SL	NBR	22.2100.1113
110	130	12	SL	FKM	22.2200.1113
110	130	12	DL	NBR	22.2110.1101
110	130	12	DL	FKM	22.2210.0110
110	130	13	SL	NBR	22.2100.1101
110	130	13	SL	FKM	22.2200.1111
110	130	13	DL	NBR	22.2110.1100
110	130	13	DL	FKM	22.2210.1101
110	130	14,5	SL	FKM	22.2200.0110
110	130	15	DL	NBR	22.2110.1102
110	135	12	SL	NBR	22.2100.1100
110	135	13	SL	NBR	22.2100.6200
110	135	13	SL	FKM	22.2200.0135

ID	OD	H	Type	Material	Item no.
110	135	13	DL	NBR	22.2110.2656
110	140	10	SL	NBR	22.2100.2145
110	140	12	SL	NBR	22.2100.1114
110	140	12	SL	FKM	22.2200.1114
110	140	12	DL	NBR	22.2110.1114
110	140	12	DL	FKM	22.2210.4785
110	140	13	SL	NBR	22.2100.1104
110	140	13	SL	FKM	22.2200.1104
110	140	13	DL	NBR	22.2110.1140
110	140	14	SL	NBR	22.2100.3247
110	140	14	DL	NBR	22.2110.1105
110	140	15	DL	NBR	22.2110.1115
110	140	15	DL	FKM	22.2210.0191
110	145	13	SL	NBR	22.2100.0712
110	145	13	SL	FKM	22.2200.3131
110	145	15	DL	NBR	22.2110.1145
110	150	13	SL	NBR	22.2100.1102
110	150	13	DL	NBR	22.2110.2020
110	150	15	SL	NBR	22.2100.9090
110	150	15	SL	FKM	22.2200.1115
110	159	14	SL	NBR	22.2100.0159
110	160	12	DL	NBR	22.2110.0411
110	160	13	DL	NBR	22.2110.1110
110	170	12	DL	NBR	22.2110.1170
110	170	15	DL	NBR	22.2110.0397
110	200	13	DL	NBR	22.2110.1503
112	140	13	T2 SL	NBR	22.2350.0112
112	140	13	SL	NBR	22.2100.1124
112	140	13	DL	FKM	22.2210.1121
114	126	6	DL	NBR	22.2110.0244
114	140	13	SL	NBR	22.2100.0114
114	140	13	SL	FKM	22.2200.1141
115	140	12	AEX SL	NBR	22.2300.1114
115	140	13	AEX DL	NBR	22.2140.1151
115	130	12	SL	NBR	22.2100.1112
115	130	12	SL	FKM	22.2200.1151
115	130	13	SL	NBR	22.2100.0250
115	140	10	SL	NBR	22.2100.0031
115	140	10	SL	FKM	22.2200.1154
115	140	12	SL	NBR	22.2100.1152
115	140	12	SL	FKM	22.2200.1112
115	140	12	DL	NBR	22.2110.1647
115	140	12	DL	FKM	22.2210.1151
115	140	13	SL	NBR	22.2100.1151
115	140	13	DL	NBR	22.2110.1153
115	145	14	SL	NBR	22.2100.1156

ID: Inner Diameter
OD: Outer Diameter
H: Height

ID	OD	H	Type	Material	Item no.	ID	OD	H	Type	Material	Item no.
115	145	14	DL	NBR	22.2110.1150	120	155	15	DL	NBR	22.2110.0212
115	145	15	SL	NBR	22.2100.1515	120	155	16	DL	NBR	22.2110.1206
115	150	12	SL	NBR	22.2100.0345	120	160	12	SL	NBR	22.2100.0187
115	150	12	SL	FKM	22.2200.0414	120	160	12	DL	NBR	22.2110.1202
115	150	12	DL	NBR	22.2110.1157	120	160	12	DL	FKM	22.2210.1216
115	150	12	DL	FKM	22.2210.0115	120	160	13	SL	NBR	22.2100.9574
115	150	13	DL	NBR	22.2110.1159	120	160	13	DL	NBR	22.2110.0257
115	150	15	DL	NBR	22.2110.1155	120	160	14	DL	NBR	22.2110.2016
115	160	15	SL	NBR	22.2100.0496	120	160	15	SL	NBR	22.2100.7459
115	160	15	SL	FKM	22.2200.1156	120	160	15	SL	FKM	22.2200.1217
116	132	12	AEX DL	NBR	22.2140.0116	120	160	15	DL	NBR	22.2110.1216
118	140	13	SL	NBR	22.2100.1180	120	160	15	DL	FKM	22.2210.0015
118	140	13	DL	NBR	22.2110.1180	122	150	13	SL	NBR	22.2100.1221
120	140	13	AEX DL	NBR	22.2140.1201	122	150	15	SL	NBR	22.2100.0251
120	140	13	T2 SL	NBR	22.2350.1214	125	150	12	AEX SL	NBR	22.2300.6884
120	150	12	AEX DL	NBR	22.2140.0250	125	150	13	AEX DL	NBR	22.2140.1503
120	150	13	AEX SL	NBR	22.2300.5248	125	150	13	T2 SL	NBR	22.2350.0125
120	150	13	T2 SL	NBR	22.2350.0150	125	150	15	T2 SL	NBR	22.2350.1251
120	150	15	AEX SL	NBR	22.2300.8598	125	160	15	T2 SL	NBR	22.2350.0121
120	160	12	AEX SL	NBR	22.2300.0160	125	140	10	SL	NBR	22.2100.0252
120	140	10	SL	NBR	22.2100.2121	125	140	10	SL	FKM	22.2200.1250
120	140	10	SL	FKM	22.2200.9674	125	143	13	DL	NBR	22.2110.1243
120	140	12	SL	NBR	22.2100.0018	125	150	12	SL	NBR	22.2100.0125
120	140	12	DL	NBR	22.2110.0120	125	150	12	SL	FKM	22.2200.1252
120	140	13	SL	NBR	22.2100.1200	125	150	12	DL	NBR	22.2110.0251
120	140	13	SL	FKM	22.2200.1214	125	150	12	DL	FKM	22.2210.1251
120	140	13	DL	NBR	22.2110.1200	125	150	13	SL	NBR	22.2100.8254
120	140	13	DL	FKM	22.2210.1214	125	150	13	DL	NBR	22.2110.2521
120	145	12	SL	NBR	22.2100.5426	125	150	14	SL	NBR	22.2100.0154
120	145	12	DL	NBR	22.2110.5246	125	150	14	DL	NBR	22.2110.0253
120	145	15	DL	NBR	22.2110.1215	125	150	15	SL	NBR	22.2100.0259
120	150	10	SL	FKM	22.2200.0071	125	150	15	SL	FKM	22.2200.1258
120	150	12	SL	NBR	22.2100.1215	125	155	12	SL	NBR	22.2100.1894
120	150	12	SL	FKM	22.2200.1215	125	155	12	DL	NBR	22.2110.1252
120	150	12	DL	NBR	22.2110.4798	125	155	12	DL	FKM	22.2210.0148
120	150	12	DL	FKM	22.2210.1215	125	155	15	DL	NBR	22.2110.1551
120	150	13	SL	NBR	22.2100.9854	125	160	12	SL	NBR	22.2100.2222
120	150	13	SL	FKM	22.2200.1218	125	160	12	SL	FKM	22.2200.1251
120	150	13	DL	NBR	22.2110.4445	125	160	12	DL	NBR	22.2110.0264
120	150	13	DL	FKM	22.2210.1218	125	160	12	DL	FKM	22.2210.1256
120	150	14	DL	NBR	22.2110.9877	125	160	13	SL	NBR	22.2100.1253
120	150	15	SL	NBR	22.2100.0120	125	160	15	SL	NBR	22.2100.1604
120	150	15	SL	FKM	22.2200.5858	125	160	15	SL	FKM	22.2200.3321
120	150	15	DL	NBR	22.2110.1201	125	160	15	DL	NBR	22.2110.1256
120	150	15	DL	FKM	22.2210.0120	127	150	13	SL	NBR	22.2100.6525
120	155	12	DL	NBR	22.2110.1255	128	150	13	SL	FKM	22.2200.8477

ID: Inner Diameter
OD: Outer Diameter
H: Height

ID	OD	H	Type	Material	Item no.
128	150	13	DL	NBR	22.2110.1280
130	150	10	AEX DL	NBR	22.2140.0002
130	150	13	AEX DL	NBR	22.2140.1315
130	150	14	AEX DL	NBR	22.2140.1314
130	155	10	AEX SL	NBR	22.2300.1355
130	155	10	T2 SL	NBR	22.2350.0135
130	160	12	AEX SL	NBR	22.2300.3454
130	160	12	T2 SL	NBR	22.2350.1316
130	160	13	AEX DL	NBR	22.2140.0003
130	160	15	AEX SL	NBR	22.2300.0002
130	140	10	SL	NBR	22.2100.1314
130	150	10	SL	NBR	22.2100.1315
130	150	10	SL	FKM	22.2200.1345
130	150	10	DL	NBR	22.2110.1310
130	150	12	DL	NBR	22.2110.1312
130	150	12	DL	FKM	22.2210.1301
130	160	12	SL	NBR	22.2100.1316
130	160	12	SL	FKM	22.2200.4978
130	160	12	DL	NBR	22.2110.5296
130	160	12	DL	FKM	22.2210.4978
130	160	13	SL	NBR	22.2100.1302
130	160	13	SL	FKM	22.2200.1316
130	160	13	DL	NBR	22.2110.8987
130	160	14	DL	NBR	22.2110.6524
130	160	15	SL	NBR	22.2100.1303
130	160	15	SL	FKM	22.2200.0130
130	160	15	DL	NBR	22.2110.1301
130	160	15	DL	FKM	22.2210.1316
130	165	13	SL	NBR	22.2100.1304
130	170	12	SL	NBR	22.2100.1317
130	170	12	SL	FKM	22.2200.3274
130	170	12	DL	NBR	22.2110.0137
130	170	12	DL	FKM	22.2210.1317
130	170	13	SL	NBR	22.2100.1313
130	170	13	SL	FKM	22.2200.8574
130	170	14	DL	NBR	22.2110.0169
130	170	15	SL	NBR	22.2100.4500
130	170	15	SL	FKM	22.2200.1564
130	182	16	SL	NBR	22.2100.0182
130	230	14	SL	NBR	22.2100.1308
130	230	14	SL	FKM	22.2200.0143
130	230	14	DL	NBR	22.2110.0300
132	160	13	T2 SL	NBR	22.2350.0132
132	150	13	SL	NBR	22.2100.0132
135	165	13	T2 SL	NBR	22.2350.1365
135	165	14	AEX DL	NBR	22.2140.0005

ID	OD	H	Type	Material	Item no.
135	170	15	AEX SL	NBR	22.2300.1359
135	160	12	SL	NBR	22.2100.1359
135	160	12	SL	FKM	22.2200.1351
135	160	12	DL	NBR	22.2110.0301
135	160	12	DL	FKM	22.2210.1602
135	160	13	SL	NBR	22.2100.0300
135	160	13	DL	NBR	22.2110.0302
135	160	14	SL	NBR	22.2100.1356
135	160	15	SL	NBR	22.2100.1358
135	160	15	DL	NBR	22.2110.1356
135	160	15	DL	FKM	22.2210.0135
135	165	12	SL	NBR	22.2100.9666
135	165	12	SL	FKM	22.2200.4387
135	165	14	DL	NBR	22.2110.3004
135	165	15	DL	NBR	22.2110.1655
135	170	12	SL	NBR	22.2100.3004
135	170	12	SL	FKM	22.2200.1317
135	170	12	DL	NBR	22.2110.3005
135	170	12	DL	FKM	22.2210.1351
135	170	14	DL	NBR	22.2110.2004
135	170	15	SL	NBR	22.2100.1357
135	170	15	DL	NBR	22.2110.1357
135	180	15	DL	NBR	22.2110.0384
138	160	15	SL	NBR	22.2100.1381
138	160	15	SL	FKM	22.2200.1386
140	160	13	AEX DL	NBR	22.2140.0020
140	160	13	T2 SL	NBR	22.2350.1411
140	160	13	T2 DL	NBR	22.2354.0140
140	160	15	T2 SL	NBR	22.2350.1401
140	165	12	T2 SL	NBR	22.2350.1465
140	165	14	AEX DL	NBR	22.2140.1235
140	170	13	T2 SL	NBR	22.2350.1417
140	170	15	T2 SL	NBR	22.2350.0140
140	180	15	T2 SL	NBR	22.2350.1418
140	157	8	DL	NBR	22.2110.0247
140	160	10	SL	NBR	22.2100.1411
140	160	12	SL	NBR	22.2100.1416
140	160	12	DL	NBR	22.2110.1416
140	160	12	DL	FKM	22.2210.1614
140	160	13	SL	NBR	22.2100.5101
140	160	13	DL	NBR	22.2110.7854
140	160	15	SL	NBR	22.2100.5144
140	162	12	DL	NBR	22.2110.1462
140	165	10	DL	NBR	22.2110.0799
140	165	12	SL	FKM	22.2200.1401
140	165	12	DL	NBR	22.2110.0108

ID: Inner Diameter
OD: Outer Diameter
H: Height

ID	OD	H	Type	Material	Item no.	ID	OD	H	Type	Material	Item no.
140	165	15	SL	NBR	22.2100.1645	145	175	15	SL	NBR	22.2100.1451
140	170	12	SL	NBR	22.2100.1401	145	175	15	SL	FKM	22.2200.1414
140	170	12	SL	FKM	22.2200.1405	145	175	15	DL	NBR	22.2110.1457
140	170	12	DL	NBR	22.2110.0140	145	175	15	DL	FKM	22.2210.1414
140	170	12	DL	FKM	22.2210.1417	145	180	12	SL	NBR	22.2100.1809
140	170	13	SL	NBR	22.2100.6002	145	180	12	DL	NBR	22.2110.5688
140	170	13	DL	NBR	22.2110.6001	145	180	13	SL	NBR	22.2100.1813
140	170	13	DL	FKM	22.2210.8449	145	180	14	SL	NBR	22.2100.1414
140	170	14	DL	NBR	22.2110.1401	145	180	15	SL	NBR	22.2100.1814
140	170	15	SL	NBR	22.2100.1403	145	180	15	SL	FKM	22.2200.1418
140	170	15	SL	FKM	22.2200.1417	146,05	171,5	14	T2 DL	NBR	22.2354.0004
140	170	15	DL	NBR	22.2110.6008	148	170	14,5	T2 DL	NBR	22.2354.0148
140	170	15	DL	FKM	22.2210.1415	148	170	15	T2 SL	NBR	22.2350.0148
140	170	16	DL	NBR	22.2110.1470	148	170	14	DL	NBR	22.2110.1484
140	175	15	DL	NBR	22.2110.1475	148	170	14,5	DL	NBR	22.2110.1417
140	180	12	SL	NBR	22.2100.1402	150	170	12	AEX DL	NBR	22.2140.0170
140	180	12	SL	FKM	22.2200.0333	150	170	15	T2 SL	NBR	22.2350.1501
140	180	12	DL	NBR	22.2110.5291	150	180	13	AEX DL	NBR	22.2140.1501
140	180	13	SL	NBR	22.2100.5000	150	180	13	T2 SL	NBR	22.2350.1502
140	180	13	SL	FKM	22.2200.4444	150	180	15	AEX SL	NBR	22.2300.1508
140	180	15	SL	NBR	22.2100.1804	150	180	15	T2 SL	NBR	22.2350.1518
140	180	15	SL	FKM	22.2200.1416	150	190	15	T2 SL	NBR	22.2350.1519
140	180	15	DL	NBR	22.2110.9171	150	190	16	AEX SL	NBR	22.2300.1519
140	180	15	DL	FKM	22.2210.1416	150	170	12	SL	NBR	22.2100.0151
140	190	15	DL	NBR	22.2110.1419	150	170	13	SL	NBR	22.2100.4815
140	250	15	SL	FKM	22.2200.0145	150	170	15	SL	NBR	22.2100.9537
144	160	12	SL	NBR	22.2100.1420	150	170	15	DL	NBR	22.2110.1569
144	160	12	SL	FKM	22.2200.7474	150	180	12	SL	NBR	22.2100.0180
144	160	12	DL	NBR	22.2110.1729	150	180	12	SL	FKM	22.2200.7878
145	170	13	AEX DL	NBR	22.2140.0154	150	180	12	DL	NBR	22.2110.0883
145	170	13	T2 SL	NBR	22.2350.0014	150	180	13	SL	NBR	22.2100.1502
145	170	15	T2 SL	NBR	22.2350.1452	150	180	13	DL	NBR	22.2110.5466
145	175	13	T2 SL	NBR	22.2350.1451	150	180	13	DL	FKM	22.2210.1501
145	180	13	T2 SL	NBR	22.2350.1413	150	180	14	DL	NBR	22.2110.1428
145	180	15	AEX DL	NBR	22.2140.1418	150	180	15	SL	NBR	22.2100.1518
145	165	13	SL	NBR	22.2100.1459	150	180	15	SL	FKM	22.2200.1518
145	165	13	SL	FKM	22.2200.5487	150	180	15	DL	NBR	22.2110.3716
145	165	15	SL	NBR	22.2100.1652	150	180	15	DL	FKM	22.2210.1518
145	167	13	DL	NBR	22.2110.0876	150	190	15	DL	NBR	22.2110.3001
145	170	12	SL	NBR	22.2100.5198	150	200	15	SL	NBR	22.2100.1504
145	170	12	DL	NBR	22.2110.5198	155	180	14	AEX DL	NBR	22.2140.1588
145	170	15	SL	NBR	22.2100.6321	155	180	15	AEX DL	NBR	22.2140.7887
145	170	15	SL	FKM	22.2200.6656	155	180	15	T2 SL	NBR	22.2350.0155
145	175	12	SL	NBR	22.2100.1752	155	190	15	AEX SL	NBR	22.2300.1551
145	175	13	SL	NBR	22.2100.1457	155	174	12	SL	NBR	22.2100.3917
145	175	14	DL	NBR	22.2110.3648	155	180	12	SL	NBR	22.2100.0651

ID: Inner Diameter
OD: Outer Diameter
H: Height

ID	OD	H	Type	Material	Item no.
155	180	14	SL	NBR	22.2100.5552
155	180	15	SL	NBR	22.2100.1551
155	180	15	SL	FKM	22.2200.6444
155	180	15	DL	NBR	22.2110.4921
155	180	15	DL	FKM	22.2210.0129
155	185	15	DL	NBR	22.2110.1585
155	190	15	SL	NBR	22.2100.1559
155	190	15	DL	NBR	22.2110.5648
157,16	190,48	6,35	AEX SL	NBR	22.2300.1571
158	180	15	SL	NBR	22.2100.1581
158	180	15	SL	FKM	22.2200.5648
160	180	10	AEX SL	NBR	22.2300.1608
160	180	15	T2 SL	NBR	22.2350.1801
160	185	10	AEX DL	NBR	22.2140.0160
160	190	13	AEX DL	NBR	22.2140.0190
160	190	13	T2 SL	NBR	22.2350.1601
160	190	15	AEX SL	NBR	22.2300.1903
160	190	15	T2 SL	NBR	22.2350.1619
160	200	15	T2 SL	NBR	22.2350.1652
160	180	10	DL	NBR	22.2110.1618
160	180	12	DL	NBR	22.2110.1608
160	180	13	DL	NBR	22.2110.0941
160	180	15	SL	NBR	22.2100.1601
160	180	15	SL	FKM	22.2200.1602
160	180	15	DL	NBR	22.2110.1861
160	185	10	SL	NBR	22.2100.1605
160	185	10	SL	FKM	22.2200.9347
160	185	10	DL	NBR	22.2110.3791
160	185	13	DL	NBR	22.2110.1685
160	185	15	SL	FKM	22.2200.9578
160	185	15	DL	NBR	22.2110.0231
160	190	8	DL	FKM	22.2210.0160
160	190	12	DL	NBR	22.2110.1602
160	190	13	SL	NBR	22.2100.9463
160	190	13	DL	NBR	22.2110.3416
160	190	15	SL	NBR	22.2100.1603
160	190	15	SL	FKM	22.2200.1601
160	190	15	DL	NBR	22.2110.0160
160	190	15	DL	FKM	22.2210.1619
160	195	15	DL	NBR	22.2110.1695
160	200	12	SL	NBR	22.2100.1010
160	200	12	SL	FKM	22.2200.2474
160	200	12	DL	NBR	22.2110.9631
160	200	15	SL	FKM	22.2200.3746
160	200	15	DL	NBR	22.2110.1620
160	290	18	DL	NBR	22.2110.0366

ID	OD	H	Type	Material	Item no.
162	190	12	SL	NBR	22.2100.1746
165	190	13	AEX DL	NBR	22.2140.1625
165	190	13	T2 SL	NBR	22.2350.4844
165	190	15	T2 SL	NBR	22.2350.0165
165	205	16	T2 DL	NBR	22.2354.0165
165	190	13	SL	NBR	22.2100.3914
165	190	13	SL	FKM	22.2200.1659
165	190	13	DL	NBR	22.2110.9632
165	190	15	DL	NBR	22.2110.3461
165	195	15	DL	NBR	22.2110.1651
165	195	16	DL	NBR	22.2110.1656
165	200	15	SL	FKM	22.2200.2015
165	200	15	DL	NBR	22.2110.1652
168	200	15	T2 SL	NBR	22.2350.0168
170	200	13	T2 SL	NBR	22.2350.1702
170	200	15	AEX DL	NBR	22.2140.0040
170	200	15	T2 SL	NBR	22.2350.1720
170	190	13	DL	NBR	22.2110.0691
170	200	12	SL	NBR	22.2100.0170
170	200	12	SL	FKM	22.2200.1777
170	200	12	DL	NBR	22.2110.2001
170	200	15	SL	NBR	22.2100.0865
170	200	15	SL	NBR	22.2100.1702
170	200	15	SL	FKM	22.2200.1703
170	200	15	DL	NBR	22.2110.1702
170	200	15	DL	FKM	22.2210.1702
170	200	16	DL	NBR	22.2110.0498
170	210	15	DL	NBR	22.2110.1715
170	210	16	SL	NBR	22.2100.3615
170	220	15	SL	NBR	22.2100.9546
174	191	9	DL	NBR	22.2110.0248
175	200	15	T2 SL	NBR	22.2350.1752
175	205	15	AEX SL	FKM	22.2230.0175
175	200	15	SL	NBR	22.2100.5638
175	200	15	SL	FKM	22.2200.1752
175	200	15	DL	NBR	22.2110.1653
175	205	15	SL	NBR	22.2100.1741
175	205	15	DL	NBR	22.2110.4961
175	210	14	SL	NBR	22.2100.1714
175	210	15	SL	NBR	22.2100.0175
178	208	15	SL	NBR	22.2100.1782
180	200	15	T2 SL	NBR	22.2350.1802
180	200	16	AEX DL	NBR	22.2140.0820
180	210	15	AEX SL	NBR	22.2300.1821
180	210	15	T2 SL	NBR	22.2350.1821
180	215	16	T2 SL	NBR	22.2350.0216

ID: Inner Diameter
OD: Outer Diameter
H: Height

ID	OD	H	Type	Material	Item no.	ID	OD	H	Type	Material	Item no.
180	220	16	T2 SL	NBR	22.2350.0180	190	230	15	DL	NBR	22.2110.1923
180	200	12	DL	NBR	22.2110.0844	190	230	16	DL	NBR	22.2110.0190
180	200	13	SL	NBR	22.2100.1820	190	240	15	DL	NBR	22.2110.1902
180	200	13	SL	FKM	22.2200.1820	195	220	16	T2 SL	NBR	22.2350.0195
180	200	15	DL	NBR	22.2110.1802	195	230	12	SL	NBR	22.2100.0195
180	200	16	DL	FKM	22.2210.1820	195	230	16	DL	NBR	22.2110.3016
180	210	10	DL	NBR	22.2110.1821	195	230	17	SL	NBR	22.2100.1952
180	210	14	DL	NBR	22.2110.1814	198	230	15	DL	NBR	22.2110.1985
180	210	15	SL	NBR	22.2100.1802	200	230	15	AEX DL	NBR	22.2140.5002
180	210	15	SL	FKM	22.2200.1802	200	230	15	T2 SL	NBR	22.2350.0200
180	210	15	DL	NBR	22.2110.1801	200	240	16	T2 SL	NBR	22.2350.2002
180	210	15	DL	FKM	22.2210.1821	200	221	9	DL	NBR	22.2110.0233
180	210	16	DL	NBR	22.2110.1816	200	221	9	DL	FKM	22.2210.2002
180	215	15	DL	NBR	22.2110.1815	200	225	15	SL	NBR	22.2100.2003
180	215	16	SL	NBR	22.2100.2015	200	225	15	DL	NBR	22.2110.0163
180	215	16	DL	NBR	22.2110.1803	200	230	13	SL	NBR	22.2100.8744
180	220	13	DL	NBR	22.2110.1822	200	230	15	SL	NBR	22.2100.2002
180	220	15	SL	NBR	22.2100.1822	200	230	15	SL	FKM	22.2200.2002
180	220	15	SL	FKM	22.2200.1822	200	230	15	DL	NBR	22.2110.2315
180	220	15	DL	NBR	22.2110.1823	200	230	15	DL	FKM	22.2210.0200
180	220	15	DL	FKM	22.2210.1823	200	230	16	SL	NBR	22.2100.0202
180	220	16	SL	NBR	22.2100.9741	200	235	16	SL	NBR	22.2100.2021
180	220	16	DL	NBR	22.2110.0180	200	235	18	DL	NBR	22.2110.2008
185	215	15	T2 SL	NBR	22.2350.1852	200	240	20	DL	NBR	22.2110.2024
185	210	13	SL	NBR	22.2100.1852	200	250	15	SL	NBR	22.2100.0571
185	210	13	SL	FKM	22.2200.9998	205	230	16	T2 SL	NBR	22.2350.0205
185	210	13	DL	NBR	22.2110.1850	205	230	15	SL	NBR	22.2100.0056
185	210	13	DL	FKM	22.2210.1852	205	230	16	SL	NBR	22.2100.0016
185	210	15	DL	NBR	22.2110.1851	205	250	16	SL	NBR	22.2100.9410
185	215	16	SL	NBR	22.2100.1816	210	240	15	T2 SL	NBR	22.2350.0210
190	215	16	T2 SL	NBR	22.2350.0190	210	250	16	T2 SL	NBR	22.2350.2102
190	220	15	AEX SL	NBR	22.2300.0220	210	240	15	SL	NBR	22.2100.2124
190	220	15	T2 SL	NBR	22.2350.0413	210	240	15	SL	FKM	22.2200.2102
190	220	16	T2 SL	NBR	22.2350.1902	210	240	15	DL	NBR	22.2110.2124
190	230	15	AEX SL	NBR	22.2300.1923	210	240	15	DL	FKM	22.2210.2124
190	230	16	T2 SL	NBR	22.2350.1901	210	250	15	SL	NBR	22.2100.2125
190	215	16	SL	NBR	22.2100.0730	210	250	15	DL	NBR	22.2110.2125
190	215	16	DL	FKM	22.2210.0190	210	250	16	SL	NBR	22.2100.2126
190	220	12	SL	NBR	22.2100.1900	210	290	20	DL	FKM	22.2210.2102
190	220	12	DL	NBR	22.2110.2102	212	245	16	SL	NBR	22.2100.2897
190	220	15	SL	NBR	22.2100.1922	215	240	12	SL	NBR	22.2100.2150
190	220	15	SL	FKM	22.2200.1922	215	240	12	SL	FKM	22.2200.0086
190	220	15	DL	NBR	22.2110.1901	215	240	12	DL	NBR	22.2110.0240
190	220	15	DL	FKM	22.2210.1922	215	240	15	SL	NBR	22.2100.2152
190	220	16	SL	NBR	22.2100.1902	215	245	15	DL	NBR	22.2110.2155
190	225	16	DL	NBR	22.2110.1916	215	250	16	SL	NBR	22.2100.8877

ID: Inner Diameter
OD: Outer Diameter
H: Height

ID	OD	H	Type	Material	Item no.
220	250	15	AEX SL	NBR	22.2300.2515
220	250	15	SL	NBR	22.2100.2202
220	250	15	SL	FKM	22.2200.2202
220	250	15	DL	NBR	22.2110.2225
220	250	16	SL	NBR	22.2100.2216
220	260	15	SL	NBR	22.2100.2215
220	260	16	SL	NBR	22.2100.2284
220	275	23	DL	NBR	22.2110.2203
225	250	15	SL	NBR	22.2100.4845
225	260	15	DL	NBR	22.2110.2226
230	250	15	SL	NBR	22.2100.2277
230	251	10	DL	NBR	22.2110.0249
230	255	15	SL	NBR	22.2100.2288
230	260	15	SL	NBR	22.2100.2300
230	260	15	SL	FKM	22.2200.2326
230	260	15	DL	NBR	22.2110.2302
230	260	15	DL	FKM	22.2210.2326
230	270	15	DL	NBR	22.2110.2327
230	280	15	SL	NBR	22.2100.8889
235	270	16	T2 SL	NBR	22.2350.0235
235	265	15	SL	NBR	22.2100.0635
240	270	15	T2 SL	NBR	22.2350.0240
240	265	15	DL	NBR	22.2110.2402
240	270	15	SL	NBR	22.2100.2402
240	270	15	SL	FKM	22.2200.0240
240	270	15	DL	NBR	22.2110.2400
240	270	15	DL	FKM	22.2210.2402
240	280	15	SL	NBR	22.2100.2403
240	280	16	SL	NBR	22.2100.0890
240	280	18	SL	FKM	22.2200.2402
240	280	19	SL	NBR	22.2100.8882
245	270	16	AEX SL	NBR	22.2300.2452
250	280	15	T2 SL	NBR	22.2350.0250
250	290	16	T2 SL	NBR	22.2350.2516
250	280	15	SL	NBR	22.2100.2502
250	280	15	SL	FKM	22.2200.2529
250	280	15	DL	NBR	22.2110.2581
250	280	15	DL	FKM	22.2210.0201
250	280	16	SL	NBR	22.2100.2501
250	280	16	DL	NBR	22.2110.2528
250	290	15	DL	NBR	22.2110.3331
260	300	20	T2 SL	NBR	22.2350.2603
260	281	11	DL	NBR	22.2110.0252
260	290	15	DL	NBR	22.2110.0665
260	290	16	SL	NBR	22.2100.2602
260	300	20	SL	NBR	22.2100.2630

ID	OD	H	Type	Material	Item no.
260	300	20	SL	FKM	22.2200.2630
260	300	20	DL	NBR	22.2110.2630
260	300	20	DL	FKM	22.2210.0029
265	290	16	SL	NBR	22.2100.2229
265	290	16	DL	NBR	22.2110.2659
265	294	12	DL	FKM	22.2210.0265
270	310	16	AEX DL	NBR	22.2140.2703
270	310	16	SL	NBR	22.2100.2703
275	310	16	T2 SL	NBR	22.2350.2753
280	310	16	T2 SL	NBR	22.2350.0280
280	310	15	SL	NBR	22.2100.2801
280	310	15	SL	FKM	22.2200.2831
280	310	15	DL	FKM	22.2210.0106
280	310	16	DL	NBR	22.2110.2831
280	320	16	DL	NBR	22.2110.0280
280	320	20	SL	NBR	22.2100.0280
285	310	16	T2 SL	NBR	22.2350.0310
290	330	18	DL	NBR	22.2110.2903
300	332	16	DL	NBR	22.2110.9995
300	340	16	SL	NBR	22.2100.3401
300	340	20	SL	NBR	22.2100.3002
300	340	20	DL	NBR	22.2110.0847
300	340	20	DL	FKM	22.2210.3034
320	360	20	AEX SL	NBR	22.2300.0320
320	360	20	T2 SL	NBR	22.2350.3236
320	350	15	SL	NBR	22.2100.3203
320	360	20	SL	NBR	22.2100.3236
320	360	20	DL	NBR	22.2110.0320
325	365	16	T2 SL	NBR	22.2350.0325
335	375	18	DL	NBR	22.2110.0217
340	380	20	T2 SL	NBR	22.2350.0340
340	380	18	SL	NBR	22.2100.3408
340	380	20	SL	NBR	22.2100.0340
340	380	20	DL	NBR	22.2110.3438
350	390	18	T2 SL	NBR	22.2350.3503
360	400	20	T2 SL	NBR	22.2350.3604
360	400	20	SL	NBR	22.2100.3604
360	400	20	DL	FKM	22.2210.0005
380	420	20	AEX SL	NBR	22.2300.0380
380	420	20	T2 SL	NBR	22.2350.0380
380	420	20	SL	NBR	22.2100.3804
380	420	20	DL	NBR	22.2110.0670
380	420	20	DL	FKM	22.2210.3842
394	420	16	DL	NBR	22.2110.0394
400	440	20	SL	NBR	22.2100.4002
420	460	20	SL	FKM	22.2200.4206

ID: Inner Diameter
OD: Outer Diameter
H: Height

ID	OD	H	Type	Material	Item no.
420	460	20	DL	FKM	22.2210.0420
420	470	20	SL	NBR	22.2100.4204
430	480	22	SL	NBR	22.2100.0430
440	480	20	T2 SL	NBR	22.2350.4448
440	480	20	SL	NBR	22.2100.4404
440	480	20	DL	NBR	22.2110.4404
480	520	20	DL	NBR	22.2110.0194
500	540	20	SL	NBR	22.2100.0540
500	540	20	DL	NBR	22.2110.0210
530	580	20	T2 SL	NBR	22.2350.5358
560	610	20	SL	NBR	22.2100.5661
560	610	20	SL	FKM	22.2200.0560
600	640	20	T2 SL	NBR	22.2350.0600
600	640	20	SL	NBR	22.2100.0600
600	640	20	SL	FKM	22.2200.6006
600	640	20	DL	FKM	22.2210.6006
650	690	20	T2 SL	NBR	22.2350.0650

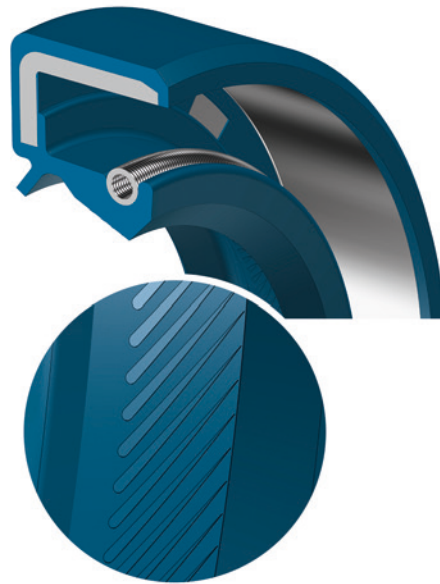
Rotary seals for

Automotive

68

Engine rotary seals

With helixes

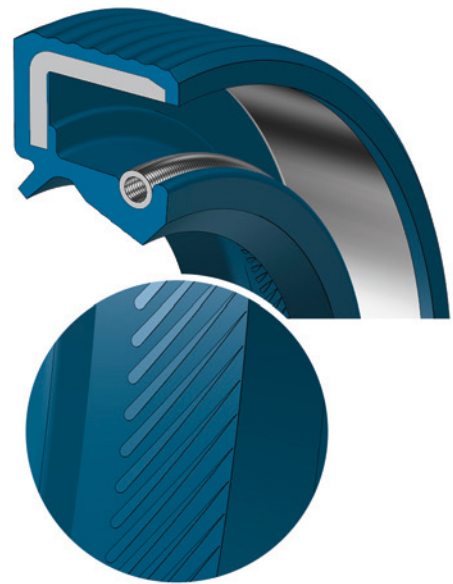


✓ DL HD - DL HG

Ruber: FKM

Metal case: Steel

Spring: Stainless Steel AISI 304



✓ AN DL HD - AN DL HG

Ruber: FKM

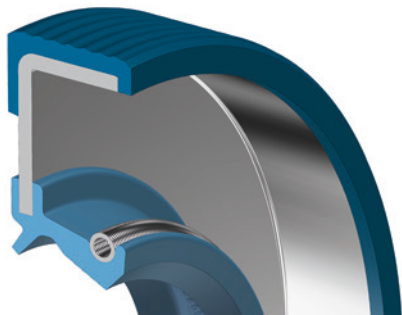
Metal case: Steel

Spring: Stainless Steel AISI 304

Main characteristics

- Helixes are implemented on the lip seals' back (air side). They bring a pumping effect and therefore reject outgoing oil back to the fluid side. Helixes are oriented into the shaft rotating direction.
- For these examples: HD type
- Linear speed < 10 m/s

Camshaft rotary seals, front and rear crankshaft rotary seals



✓ AN DL 2 HG - AN DL 2 HD

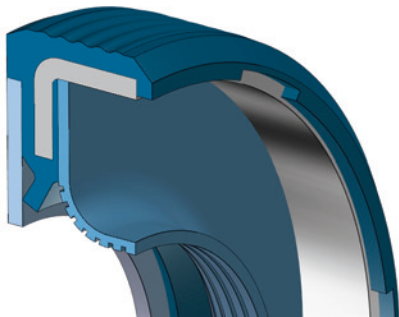
Ruber: ACM outer diameter, FKM anti-dust and active lips

Metal case: Steel / Stainless steel AISI 304

Spring: Stainless Steel AISI 304

Main characteristics

- Helixes are implemented on the lip seals' back (air side). They bring a pumping effect and therefore reject outgoing oil back to the fluid side. Helixes are oriented into the shaft rotating direction.
- Linear speed < 10 m/s
- Long service lifew



✓ AN SL PF

Ruber: FKM or NBR / PTFE / Felt

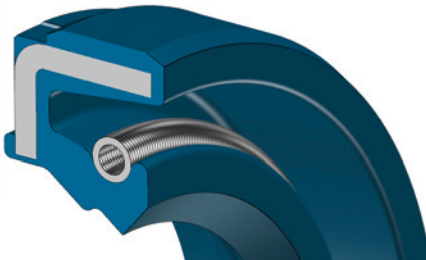
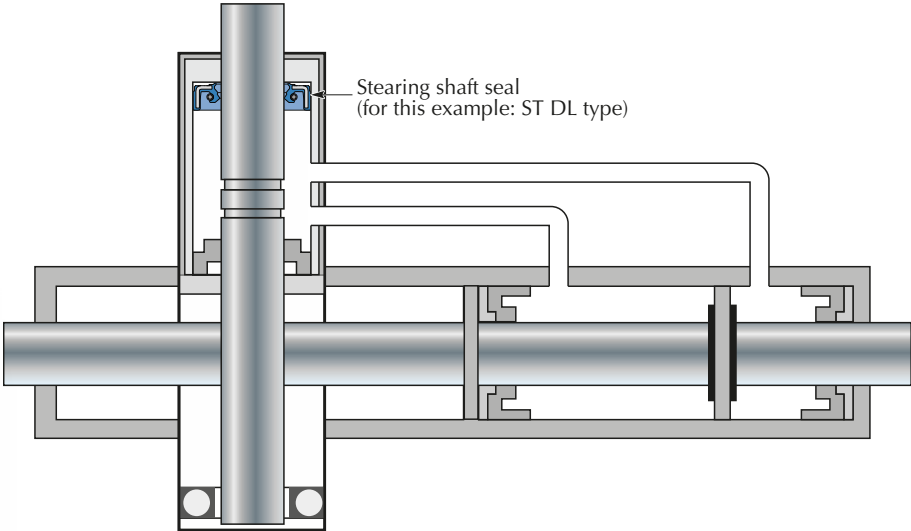
Metal case: Steel / Stainless steel AISI 304

Main characteristics

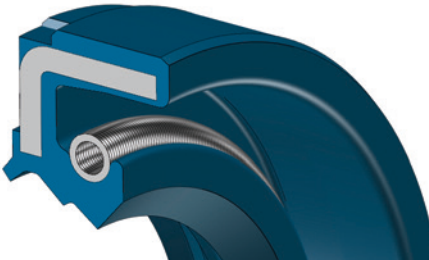
- Linear speed < 30 m/s
- Suitable for high temperature thanks to PTFE lip
- Recommended for high speed thanks to PTFE lip and felt anti-dust lip
- Fitting & protection plastic gauge provided



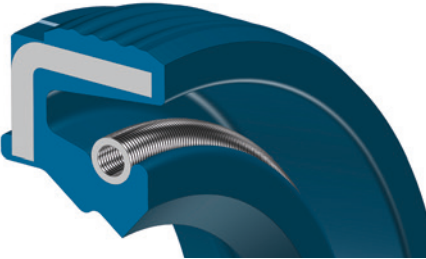
Steering shaft seals



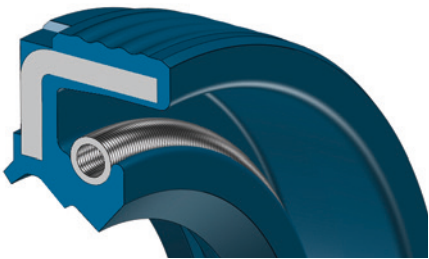
✓ ST SL



✓ ST DL



✓ ST AN SL
Ruber: NBR or HNBR
Metal case: Steel
Spring: Steel

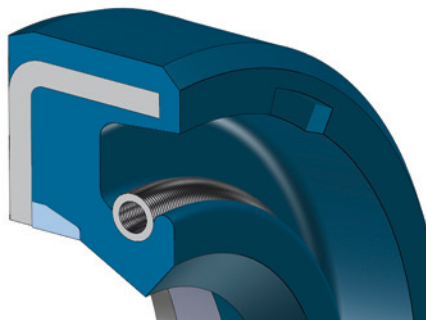
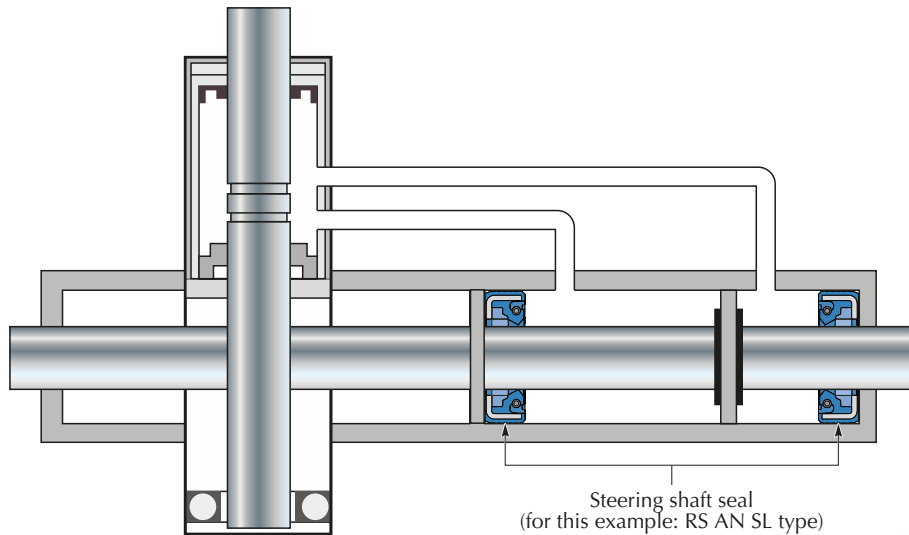


✓ ST AN DL
Ruber: NBR or HNBR
Metal case: Steel
Spring: Steel

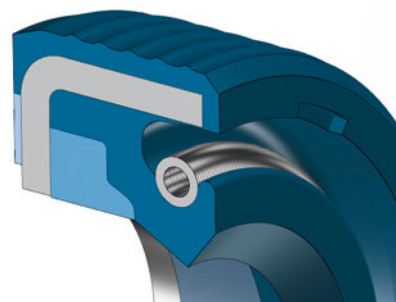
Main characteristics

- Rotary function
- Active lip with reinforcement to prevent its reversion

Power steering shaft seals



- ✓ RS SL
- Ruber: NBR or HNBR
- Metal case: Steel
- Spring: Steel
- Back-up ring: POM



- ✓ RS AN SL
- Ruber: NBR or HNBR
- Metal case: Steel
- Spring: Steel
- Back-up ring: POM

Main characteristics

- Translative reciprocating function
- High pressure profil
- Integrated POM back-up ring for better pressure resistance and avoid lip reversion
- With reinforcement to prevent its reversion
- On demand, helixes can be implemented on the lip seals' back to bring a pumping effect and reject outgoing oil back to the fluid side and provide a longer service life
- RS AN SL in HNBR should be preferred for high pressure and high temperature

After market

Description

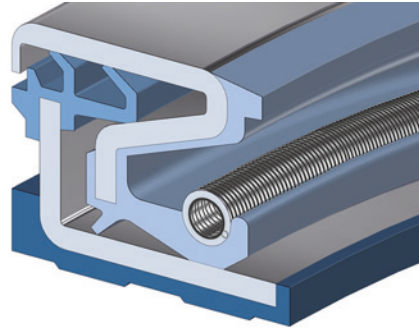
For aftermarket purpose, Techné offers full kitting service, including rotary shaft seal, boxes, labels ...
 Depending on the required quantity, customer brand name can be engraved on the the seals.



Rotary seals for

Agriculture & Construction

K7 seals



✓ K7

Ruber: NBR, HNBR, FKM
 Metal case: Steel
 Spring: Steel
 Lubricant: Grease

Main characteristics

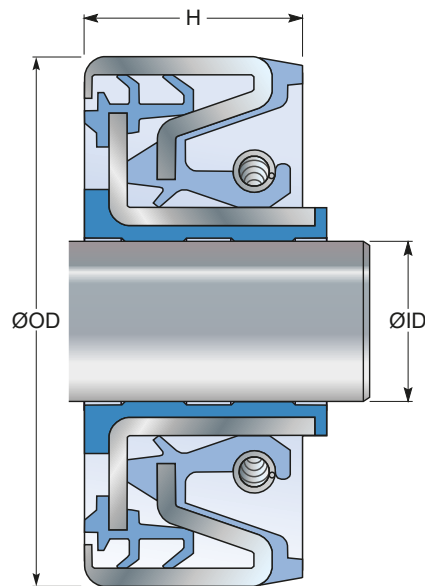
- Sealing function with high-end protection system against outer pollution (dust, mud, sand, water splashes...)
- Integrated shaft sleeve for avoiding shaft wear, no need to grind and harden shaft
- System of multiple small inner lips surrounded by grease to prevent pollution penetration
- Easy fitting
- Easy replacement as shaft is not worn off
- Long service life

Applications

Agricultural machinery, construction machines, mining equipments, track driven vehicles



Dimensional list



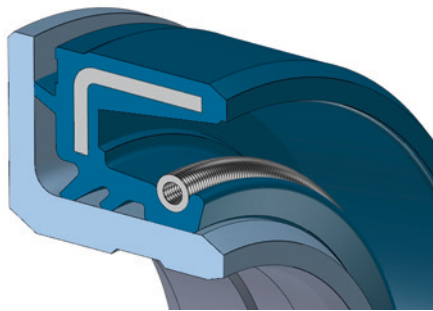
ID	OD	H	Materials	ID	OD	H	Materials
25	52	12/13	NBR	65	85	10	NBR
25	62	16,5	NBR	65	95	11/18	NBR
27	50,8	16	NBR	66,15	91	12,5/14	NBR
35	60	13/14,5	NBR	70	95	14/14,5	NBR
35	65	14,5/17,5	NBR	70	95	10,5	NBR
40	65	13/14,5	NBR	73,02	92,07	13,5	NBR
40	80	11/19	NBR	75	100	13/14,5	NBR
40,02	60,96	10/16,51	NBR	75	100	12/14	NBR
41	76,2	16,51	NBR	79,38	114,3	17,07	NBR
45	75	10/12,5	NBR	84	112	13/14,5	NBR
45	85	10/12,5	NBR	85	110	13/14,5	NBR
45	70	14/17	NBR	85	110	14,5/17	NBR
45	70	14,5	NBR	85	115	12	NBR
45,72	93,68	12,7	NBR	85	115	12	FKM
50	68	7,5/19,5	NBR	88,9	115,49	22,86	NBR
53	79	13	NBR	88,9	122,99	22,96	NBR
53,2	78	13/14	NBR	88,9	122,99	23,5	NBR
55	80	12,5/14	FKM	90	120	13/14,5	NBR
56	80	13/14,5	NBR	90	130	17	NBR
57	82,5	18	NBR	95	120	13/14,5	NBR
60	90	13,5/15	NBR	95	130	13/14	NBR
64,49	88,9	9,5	FKM	98,42	130,27	21,4	NBR
65	100	13,5/15,5	NBR	100	130	12,5/14	NBR
65	90	13/14,5	NBR	100	135	13/15	NBR
65	100	13,5/15	NBR	100	140	16	NBR
65	105	13/14,5	NBR	107,95	152,63	25	FKM

ID: Inner Diameter
OD: Outer Diameter
H: Height

ID	OD	H	Materials
107,95	152,63	24,99	NBR
107,95	152,6	25,4	NBR
107,95	152,7	25,4	NBR
107,95	153,62	17,27	NBR
107,95	158,75	34,93	NBR
110	140	14,5/16	NBR
110	140	14/16,5	NBR
111,13	149,99	25,4	NBR
115	145	14	NBR
117,48	152,4	21,34	NBR
117,48	152,37	25,4	NBR
117,48	152,4	27	NBR
117,48	152,43	27	NBR
120	160	15/17,5	NBR
120	152	17	NBR
120	160	17	NBR
121,03	160,3	30,15	NBR
121,06	152,4	27	NBR
121,06	160,3	28,58	NBR
121,06	160,35	28,58	NBR
121,8	150	13	NBR
127	160	15,5/17	NBR
127	152,4	12,7	FKM
127	158,75	15,37	NBR
127	160	15,5/17,5	NBR
130	160	16	NBR
130	160	14,5/16	NBR
130	165	14,5/16	NBR
130	170	17	FKM
135	165	17	FKM
135	175	15,5/20	NBR
135	175	18	NBR
140	170	17	NBR
140	170	14,5/16	NBR
142	170	16	NBR
142,15	175,5	11,4	NBR
145	175	14,5/15,5	NBR
145	175	17	NBR
145	175	17	FKM
149,9	176	15,5/16	NBR
149,9	176	16	NBR
150	180	14,5/16	FKM
150	176	14,5/19,5	NBR
150	180	14,5/16	NBR

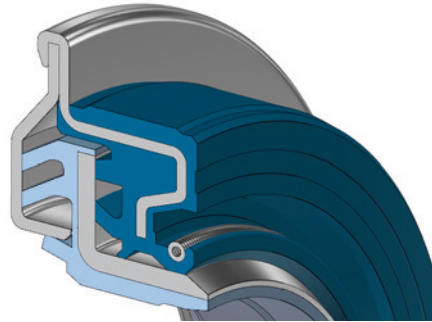
ID	OD	H	Materials
150,15	178	13/16	NBR
155	190	14,5/16	NBR
155	190	14/19	NBR
155	190	17,5/19	NBR
158	188	16	FKM
165	190	15,5/17	NBR
167,8	198	13/17	NBR
170	200	15/16	NBR
178	208	16/18	NBR
189,8	230	15,5/17	NBR
190	220	16/18	NBR
210	240	16/18	NBR

PTO (Power Take Off) axle seal



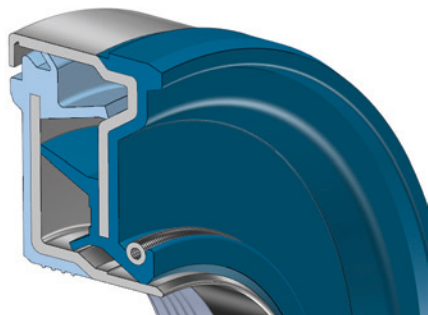
✓ K7O-PTO

Ruber: NBR, HNBR, FKM
 Metal case: Steel
 Spring: Steel
 Lubricant: Grease



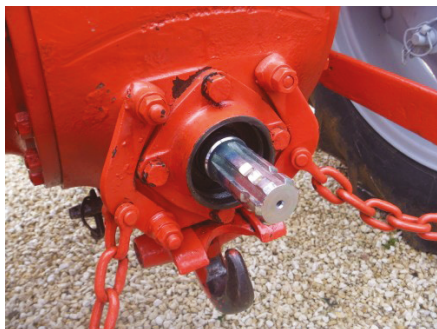
✓ K7A-PTO

Ruber: NBR, HNBR, FKM
 Metal case: Steel
 Spring: Steel
 Lubricant: Grease



✓ K7S-PTO

Ruber: NBR, HNBR, FKM
 Metal case: Steel
 Spring: Steel
 Lubricant: Grease



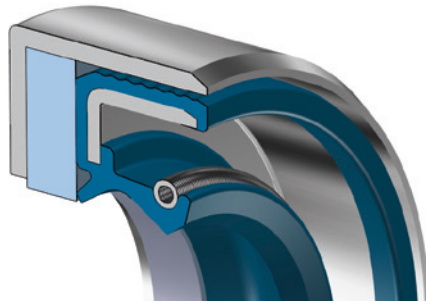
Main characteristics

- Specific K7 seals used in PTO (Power Take Off) applications for agriculture or construction equipment machines. Especially on tractors it used for transferring the rotation from powertrain towards attached equipments (such as spreaders, seed drills...)
- Sealing function with high-end protection system against outer pollution (dust, mud, sand, water splashes...)
- Integrated shaft sleeve for avoiding shaft wear ≥ no need to grind and harden shaft
- System of multiple small inner lips surrounded by grease to prevent pollution penetration
- Easy fitting
- Easy replacement as shaft is not weared off
- Long service life

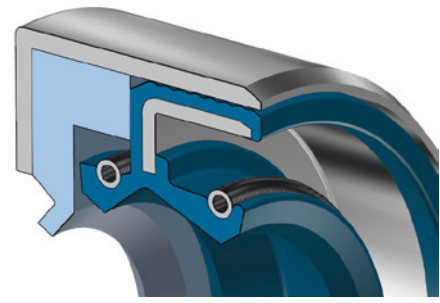
Applications

Agricultural machinery, construction machines

TL CO & TLO CO



✓ TL CO
 NBR: 22.4100
 Ruber: NBR
 Metal case: Steel
 Spring: Steel
 Wiper: PU



✓ TLO CO
 NBR: 22.4101
 Ruber: NBR
 Metal case: Steel
 Spring: Steel
 Wiper: PU

Main characteristics

- Specific designed rotary shaft seals used in transmission of heavy machinery. These profiles are recommended for military and 4 wheels driving vehicles' axles
- TL CO: standard AN DL rotary shaft seal integrated in a metal case with a PU wiper
- TLO CO: standard AN DLO rotary shaft seal integrated in a metal case with a PU wiper lip for a better resistance towards mud and short water immersions
- Excellent resistance to abrasive particles
- Also withstands small translations
- Long service life



CERF

anti pollution seals



✓ CERF

Ruber: NBR

Metal case: Steel

Sliding cuff: Steel + chrome surface treatment

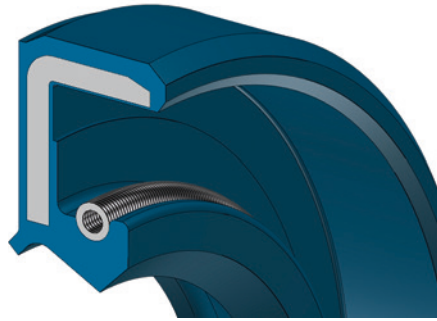
Main characteristics

- Specific designed rotary shaft seals used in transmission axles of heavy machinery and agricultural equipments
- Assembly in combination with a sliding cuff is recommended
- Excellent resistance to abrasive particles
- Long service life

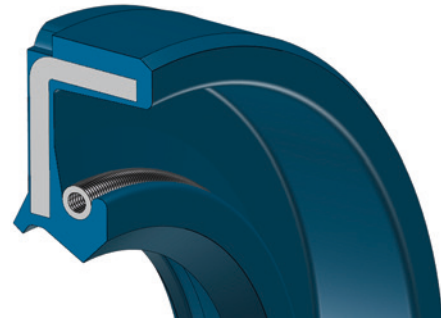


Rotary seals for
Industry

High pressure rotary seals



✓ DL HP



✓ DL HP10

1) Description

- Metal case covered with smooth rubber. DL type with an extra passive anti-dust lip.

2) Advantages

- Good static sealing
- Easy fitting & removal (without housing damage)
- Suitable for gas and liquids
- Prevents from a fretting corrosion
- Suitable for use with fluids under pressure up to 3 (for HP) and 10 bars for (HP10)
- Possible use with light alloys housings (with high thermal expansion such as aluminium)

3) Limitations

- Not suitable for applications with shaft misalignment
- Maximum linear speed and maximum pressure shall not be reached simultaneously
- See limitations page 120

4) Applications

- Axial and radial piston pumps
- External, internal, gearing and screw gear pumps
- Single chamber, double chamber vane pumps
- Under vacuum applications



ID: Inner Diameter
OD: Outer Diameter
H: Height

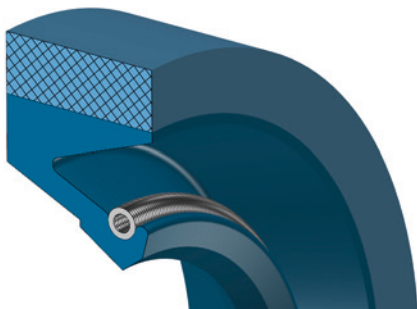
ID	OD	H	Type	Material	Item no.
10	22	6	DL HP	NBR	22.2170.1022
10	22	7	DL HP10	NBR	22.2169.0007
12	24	6	DL HP	NBR	22.2170.0078
12	33	6	DL HP	NBR	22.2170.1233
15	25	6	DL HP	NBR	22.2170.1525
15	28	7	DL HP	NBR	22.2170.1528
15	30	7	DL HP	FKM	22.2270.0110
17	30	6	DL HP10	NBR	22.2169.0009
17	30	6	DL HP10	FKM	22.2269.1730
17,46	28,57	6,35	DL HP	NBR	22.2170.0026
18	30	6	DL HP	NBR	22.2170.1831
18	30	6	DL HP	FKM	22.2270.0112
18	30	7	DL HP	NBR	22.2170.1830
18	35	6	DL HP	FKM	22.2270.0098
19	27,2	5	DL HP	NBR	22.2170.1927
19	40	8	DL HP	NBR	22.2170.1940
20	30	7	DL HP	NBR	22.2170.0071
20	30	7	DL HP10	NBR	22.2169.0012
20	30	7	DL HP10	FKM	22.2269.2030
20	35	6	DL HP	NBR	22.2170.2035
20	35	6	DL HP10	NBR	22.2169.0010
20	35	7	DL HP10	NBR	22.2169.0005
20	35	7	DL HP10	FKM	22.2269.0113
20	40	7	DL HP	NBR	22.2170.2040
20	40	7	DL HP	FKM	22.2270.0114
22	32	6	DL HP	NBR	22.2170.2232
22	32	6	DL HP	FKM	22.2270.2232
22	32	7	DL HP	NBR	22.2170.0080
22	35	6	DL HP	NBR	22.2170.2235
22	42	11	DL HP	FKM	22.2270.0105
24	40	7	DL HP	NBR	22.2170.2440
24	40	7	DL HP	NBR	22.2170.2447
24	40	7	DL HP	FKM	22.2270.0116
25	35	6	DL HP	FKM	22.2270.0117
25	35	6	DL HP10	NBR	22.2169.0011
25	35	6	DL HP10	FKM	22.2269.0105
25	37	6	DL HP	NBR	22.2170.0063
25	40	7	DL HP	NBR	22.2170.0034
25	42	7	DL HP	NBR	22.2170.0068
25	42	7	DL HP10	NBR	22.2169.0008
28	40	6	DL HP	NBR	22.2170.0081
28	40	6	DL HP	FKM	22.2270.0118
28,5	42	6	DL HP	NBR	22.2170.0125
28,58	50,8	6,35	DL HP	NBR	22.2170.0084

ID	OD	H	Type	Material	Item no.
30	42	6,5	DL HP	NBR	22.2170.3042
30	42	7	DL HP	FKM	22.2270.0097
30	47	7	DL HP10	NBR	22.2169.0006
30	50	7	DL HP	FKM	22.2270.0119
31,75	44,45	6,35	DL HP	NBR	22.2170.0040
32	44	8	DL HP	NBR	22.2170.0324
32	45	7	DL HP	NBR	22.2170.0032
32	47	6	DL HP	FKM	22.2270.3247
32	50	7	DL HP	NBR	22.2170.3250
32	52	6	DL HP	FKM	22.2270.3252
35	47	6	DL HP	NBR	22.2170.3547
35	47	6	DL HP	FKM	22.2270.0109
35	47	7	DL HP	NBR	22.2170.0057
35	47	7	DL HP	NBR	22.2170.0354
35	47	7	DL HP	FKM	22.2270.3547
35	50	7	DL HP	FKM	22.2270.0120
35	52	6	DL HP	NBR	22.2170.0060
35	52	6	DL HP	FKM	22.2270.0121
38	50	6	DL HP10	FKM	22.2269.3850
40	52	7	DL HP	NBR	22.2170.4052
40	52	7	DL HP	FKM	22.2270.0122
40	55	6	DL HP	FKM	22.2270.0123
40	55	7	DL HP	NBR	22.2170.4055
40	56	6	DL HP	NBR	22.2170.0067
40	60	7	DL HP	FKM	22.2270.4007
40	62	6	DL HP	NBR	22.2170.4062
40	62	6	DL HP	FKM	22.2270.0124
40	62	6	DL HP10	FKM	22.2269.4062
45	58	6	DL HP	NBR	22.2170.0061
45	62	7	DL HP	FKM	22.2270.0107
45	62	7	DL HP10	FKM	22.2269.0110
45	65	7	DL HP	NBR	22.2170.0045
45	65	7	DL HP	FKM	22.2270.0091
50	65	7	DL HP	FKM	22.2270.5065
50	68	8	DL HP	NBR	22.2170.5068
50	72	7	DL HP	NBR	22.2170.5072
50	72	7	DL HP	FKM	22.2270.5072
55	70	8	DL HP	NBR	22.2170.0083
55	70	8,5	DL HP	FKM	22.2270.5570
55	72	7	DL HP	FKM	22.2270.5572
55	72	8	DL HP	NBR	22.2170.7255
60	80	7	DL HP	NBR	22.2170.6080
60	80	7	DL HP	FKM	22.2270.6080
65	85	7	DL HP	NBR	22.2170.0065

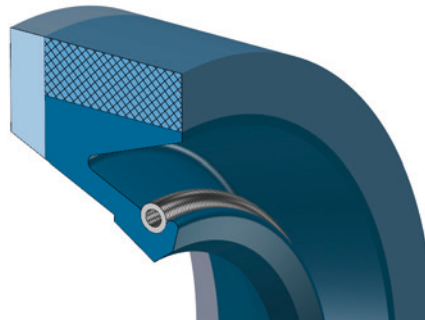
ID: Inner Diameter
OD: Outer Diameter
H: Height

ID	OD	H	Type	Material	Item no.
65	85	10	DL HP	NBR	22.2170.0658
70	90	7	DL HP	NBR	22.2170.7090
80	100	7	DL HP	FKM	22.2270.0106
85	105	7	DL HP	FKM	22.2270.8507
95	120	12	DL HP	NBR	22.2170.0088
100	120	7,5	DL HP	NBR	22.2170.0086
125	160	7,5	DL HP	NBR	22.2170.1251
130	150	10	DL HP	FKM	22.2270.0095
130	160	13	DL HP	NBR	22.2170.0130
140	160	10	DL HP	NBR	22.2170.0087
150	164	5	DL HP	NBR	22.2170.0091
190	220	16	DL HP	FKM	22.2270.0190

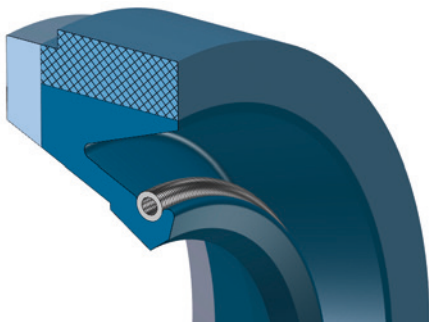
ATR SL - Fabric reinforced rotary seals



✓ ATR SL
NBR: 22.2184
FKM: 22.2280



✓ ATR SL PG
On request



✓ ATR SL PGR
NBR: 22.2176

1) Description

- Fabric reinforced rubber case, with tension metallic spring
- Can be delivered split (F) or ready to cut (C)
- A back-up ring can be added for higher pressures
- Assembly in 2-halves housings
- ATR SL PG with extra gorge
- ATR SL PGR with extra gorge and groove
- ATR SL PG and ATR SL PGR must be paired and installed back to back

2) Advantages

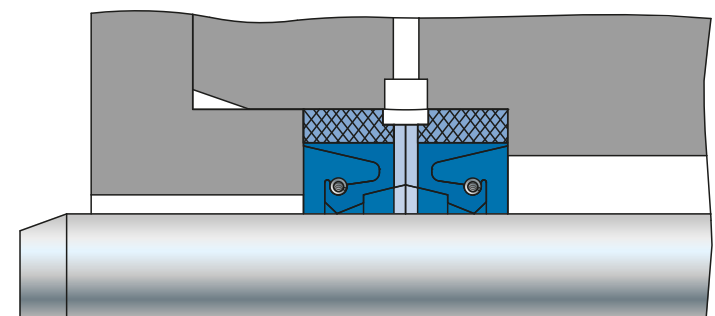
- Suitable for big sizes
- Easy fitting (no metal case)

3) Limitations

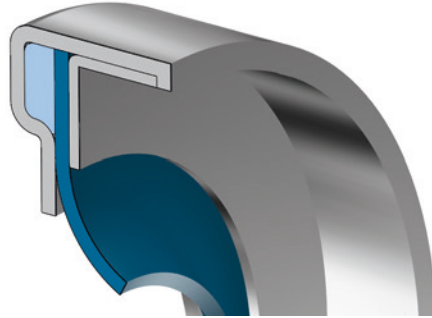
- Maximum linear speed 20 m/s
- Maximum pressure 0.5 bar
- Maximum linear speed and maximum pressure shall not be reached simultaneously

4) Applications

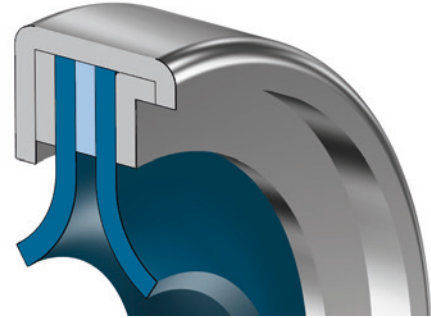
- Mills
- Ships (engines and screws / propellers)
- Wind turbines



PTFE lip seals



✓ AI P-SL SER
NBR: 22.2520
FKM: 22.2502



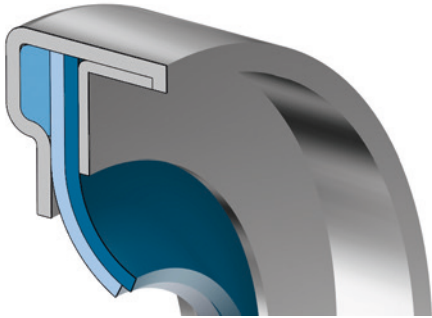
✓ AI P-DLO SER
On request

1) Description

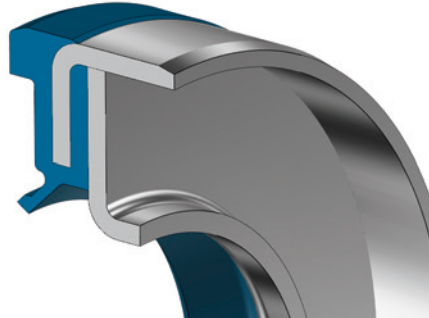
- Made of one or several PTFE lips crimped between two metal cases

2) Available materials

- Case: Stainless steel AISI 316, other on demand
- Lip(s): PTFE (FDA approval on demand), PTFE + glassfiber + MoS₂ (for high speed applications), PTFE + carbon graphit (on demand)
- Rubber: NBR, FKM



✓ AI P-DLT SER
On request



✓ AI P-DL ADH

3) Advantages

- Excellent chemical resistance
- Low friction lip
- High shaft rotation speed authorised
- Possible use in dry or low-lubricated applications
- High thermal resistance up to 200 °C
- Possible use with food contact (on demand)
- No stick-slip
- Outer diameter can be machined for higher fitting precision
- Can be delivered with a fitting tool

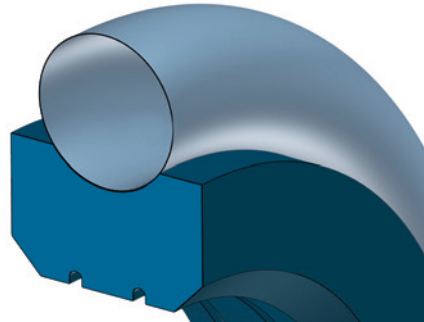
4) Limitations

- Maximum linear speed: 30 m.s⁻¹
- Maximum pressure: 10 bars
- Reduced allowed shaft misalignment and run-out
- Shaft surface roughness: 0.2 < Ra < 0.4; 1 < Rz < 5 and Rmax < 6.3
- Maximum linear speed and maximum pressure shall not be reached simultaneously

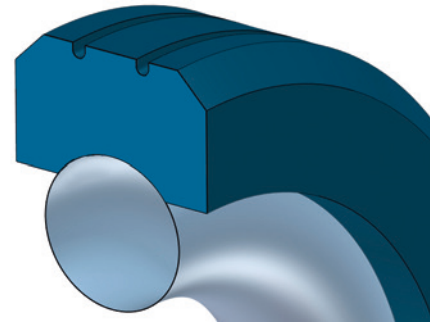
5) Applications

- Engine crankshafts
- Gearboxes
- Food industry
- Pumps for chemical industry

RST & RSP PTFE rubber energized seal



✓ RST
Machined part



✓ RSP
Machined part

1) Description

- Double acting composite seal made of a PTFE sliding ring and a rubber expander

2) Available materials

- PTFE Ring: PTFE carbon/graphit, PTFE bronze, PTFE virgin (food and medical applications), others on demand
- O-Ring: NBR, FKM, others on demand

3) Advantages

- Excellent pressure resistance
- Double effect
- Easy fitting thanks to its symmetrical profile
- Low friction
- No stick-slip
- Specific dimensions possible
- Back-up ring can be added

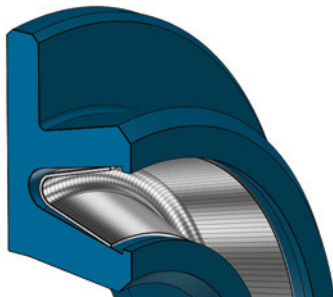
4) Limitations

- Maximum linear speed: 10 m.s-1
- Maximum pressure: 400 bar
- Temperature up to 200 °C
- Shaft surface roughness: $0.05 < Ra < 0.3$ and $R_{max} < 2.5$
- Maximum linear speed and maximum pressure shall not be reached simultaneously

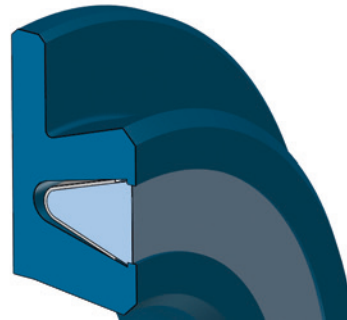
5) Applications

- Injection moulding presses
- Mills
- Construction machines: rotary distributors, manipulators, hydraulic motors...

VR & VAR PTFE spring energized seals



✓ VR
Machined part



✓ VAR
Machined part

1) Description

- Rotary V-shape flanged PTFE ring energized by a V-shape spring

2) Available materials

- PTFE V-shape ring: PTFE carbon/graphit, PTFE virgin (food and medical applications), others on demand, silicone filling on demand
- Spring: stainless steel AISI 316, Elgiloy (R), others on demand

3) Advantages

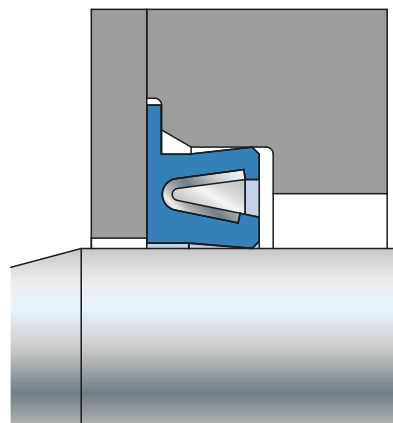
- Excellent chemical resistance
- Hygienic use with VAR profile with silicone filling
- Possible use for rotary, oscillating, linear and static applications
- Low friction
- No stick slip

4) Limitations

- Maximum linear speed: 10 m.s⁻¹
- Maximum pressure: 50 bar
- Temperature: up to 200 °C
- Maximum shaft surface roughness : Ra 0.1 to 0.2 depending on the fluid to seal
- To be installed in open groove only
- Maximum linear speed and maximum pressure shall not be reached simultaneously

5) Applications

- Agricultural machines, wine industry, food industry
- Injection moulding machines
- Rotary distributors



Custom made rotary seals

For some applications, customers may need non-standard profiles. In such cases, Techné Engineering Department proposes its expertise and experience for creating or optimising new profiles dedicated to the specific customer application.

Techné Engineering Department' support may consist in a simple validation / recommendation, up to a complete project development including APQP management. Any project? please fulfill our Design Sheet - page 135.

All necessary information, such as rotation speed, temperature, fluids in contact, housing and shaft materials will be analysed, and a specific profile will be proposed in accordance with your needs.

1) Example

anti-pollution Seals for tractor wheels

Customer specification:

- parts have first to be validated on a specific test bench with regular checks and data records
- working parameters are given (pressure, speed, temperature)

2) Techné expertise:

- material selection with an optimised abrasion resistant compound
- definition of the seal's shape, the appropriate surface roughness, the seals' dimensions and tolerances - Elaboration of the drawing
- Manufacture of a prototype tool
- Conception and manufacture of the test bench
- Endurance tests during 3 months in different fluids with regular checks
- Presentation of the test results to the end customer for a final approval

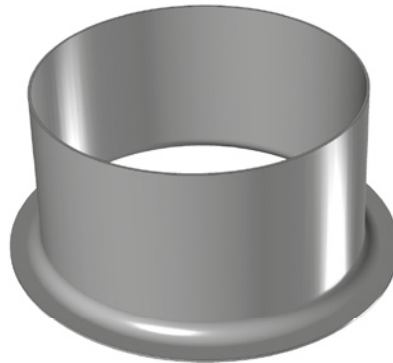
3) Coatings

- Techné coatings consist in solid lubricant deposited on profile surface with an approximative thickness from 5 up to 35 microns. Most of Techné coatings are PTFE based.
- PTFE is known for its excellent sliding properties.
- Techné Coatings on Rotary Seal's lip help to reduce the friction between seal and shaft and prevent so an early wear of the shaft. They are especially effective in high rotation speed applications.
- Coatings are offered according customers' specifications. Approved compounds for food applications are also available.
- For further information about Coatings, see Techné Catalogue Rubber Seals.

Sleeves

Description

After some times, the initial characteristics of a shaft may be altered. Scars and wear appear and the sealing function of the rotary shaft seal is no more guaranteed. Changing the seal isn't an option anymore. Changing the shaft is often expensive or difficult. Techné sliding sleeves offer a cost effective solution to damaged shafts. They consist in a thin stainless steel ring, which is set up directly on the shaft. With a new sliding surface, life of shafts is extended. Techné usually recommend to set up a new rotary shaft seal after assembly of the sleeve.



Materials

- Stainless Steel AISI 304 (standard) Techné Code: 22.0001
- Stainless Steel AISI 316 (on demand) Techné Code: 22.0002

Characteristics

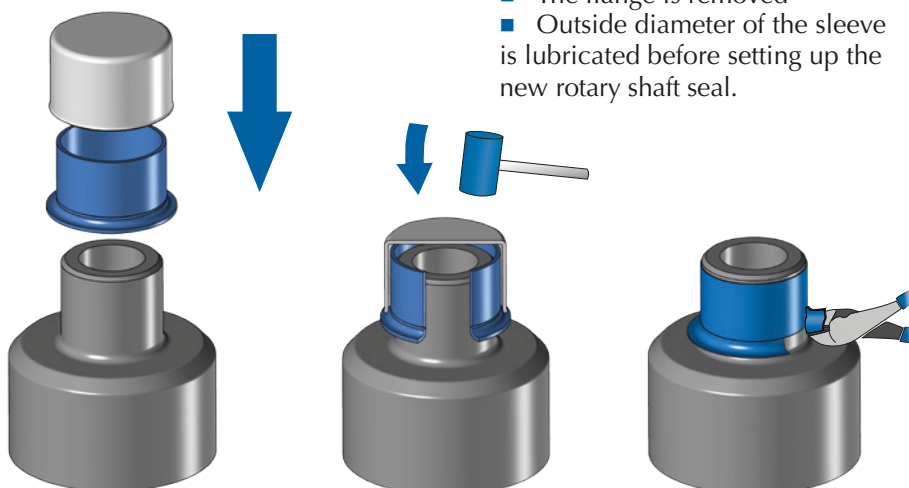
- Sleeve thickness: ~0.28 mm
- Available for shaft Ø12 to Ø200 - Imperial and metric dimensions
- Ra: 0.20 to 0.80 µm
- Rz: 1 to 5 µm
- Rmax: 6.3 µm

An additional assembly flange will be removed after fitting.

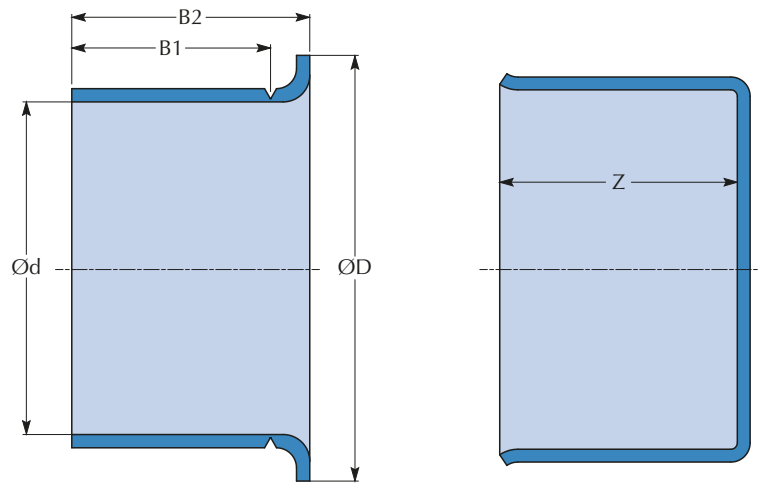
A groove between the ring and the flange allows to remove the flange easily. Sleeves are delivered in individual boxes including a fitting tool and written mounting instructions.

Fitting

- Shaft first needs to be cleaned, burrs must be removed at the place the sleeve will be set up.
- The sleeve is set up with the flange on the bottom side
- The fitting tool is fitted onto the sleeve. An additional tube may be used if necessary.
- The tool is pushed down with the help of an hydraulic press (recommended) or a hammer until the sleeve is in position
- Setting tool is then removed from the sleeve
- The flange is removed
- Outside diameter of the sleeve is lubricated before setting up the new rotary shaft seal.



Dimensional list



Nominal shaft Ø		Shaft Ø range (mm)		ØD (±1,6)	B1 (±0,8)	B2 (±0,8)	z	Code
mm	in	Min.	Max.					
12,00	0,472	11,91	12,07	15,50	6,00	8,40	47,60	22.0001.0001
12,70	0,500	12,65	12,75	15,50	6,30	8,70	50,80	22.0001.0013
14,00	0,551	13,89	14,00	19,10	6,30	9,90	46,50	22.0001.0002
15,00	0,591	14,96	15,06	19,10	5,00	9,00	47,30	22.0001.0003
15,88	0,625	15,83	15,93	19,10	8,00	10,30	50,80	22.0001.0014
16,00	0,630	15,90	16,00	18,20	8,00	11,10	50,80	22.0001.0004
17,00	0,669	16,94	17,04	22,20	8,00	11,00	50,80	22.0001.0005
17,93	0,706	17,88	18,01	24,40	8,00	11,00	46,00	22.0001.0015
19,05	0,750	19,00	19,10	24,00	8,00	11,10	50,80	22.0001.0010
20,00	0,787	19,94	20,04	23,60	8,00	11,00	50,80	22.0001.0006
21,82	0,859	21,77	21,87	29,30	6,30	9,50	50,80	22.0001.0017
22,00	0,866	21,87	22,00	30,20	6,60	9,10	47,10	22.0001.0007
22,00	0,866	21,87	22,00	30,20	8,00	12,00	46,00	22.0001.0008
22,23	0,875	22,18	22,28	27,80	8,00	11,10	50,80	22.0001.0018
24,00	0,945	23,88	24,00	28,70	8,00	11,10	50,80	22.0001.0009
24,60	0,969	24,54	24,64	28,70	8,00	11,10	50,80	22.0001.0019
25,00	0,984	24,94	25,04	33,00	8,00	11,00	50,80	22.0001.0025
25,40	1,000	25,35	25,45	31,00	8,00	11,10	50,80	22.0001.0020
26,01	1,024	25,88	26,01	33,40	8,00	12,00	46,00	22.0001.0021
27,00	1,063	26,92	27,03	33,50	8,00	11,10	46,80	22.0001.0027
28,00	1,102	27,94	28,04	34,90	9,50	12,70	46,80	22.0001.0028
28,58	1,125	28,53	28,63	38,10	8,00	11,10	17,50	22.0001.0022
29,36	1,156	29,31	29,41	34,30	9,50	12,70	17,50	22.0001.0023
30,00	1,181	29,95	30,07	35,60	8,00	11,00	17,50	22.0001.0030
30,96	1,219	30,89	31,04	39,70	8,00	11,00	15,90	22.0001.0024
31,50	1,240	31,42	31,58	39,10	8,00	11,10	17,50	22.0001.0026
31,80	1,252	31,67	31,83	38,10	8,00	11,10	17,50	22.0001.0029

Nominal shaft Ø		Shaft Ø range (mm)		ØD (±1,6)	B1 (±0,8)	B2 (±0,8)	z	Code
mm	in	Min.	Max.					
32,00	1,260	31,92	32,08	38,10	8,00	11,10	17,50	22.0001.0032
33,00	1,299	32,94	33,05	40,49	15,01	18,00	20,65	22.0001.0033
33,35	1,313	33,22	33,38	40,60	6,30	9,50	20,70	22.0001.0031
33,35	1,313	33,27	33,43	40,50	12,70	15,90	20,70	22.0001.0031
34,01	1,339	33,86	34,01	41,30	12,70	15,90	20,70	22.0001.0200
34,93	1,375	34,93	35,08	41,60	13,00	16,00	20,70	22.0001.0035
36,00	1,417	35,84	36,00	45,20	13,00	17,00	25,00	22.0001.0036
38,00	1,496	37,85	38,00	45,20	13,00	17,00	25,00	22.0001.0038
38,10	1,500	38,02	38,18	45,20	9,50	12,70	25,80	22.0001.0201
38,10	1,500	38,02	38,18	45,20	14,30	17,50	25,80	22.0001.0203
39,42	1,552	39,34	39,50	47,20	11,10	14,30	25,80	22.0001.0204
40,00	1,575	39,85	40,00	46,90	9,90	12,90	25,40	22.0001.0040
40,08	1,578	39,93	40,08	47,00	13,00	16,00	26,00	22.0001.0401
41,00	1,614	40,84	41,00	49,20	12,70	15,90	25,80	22.0001.0041
41,28	1,625	41,20	41,35	47,60	14,30	17,50	20,70	22.0001.0205
41,90	1,650	41,83	42,00	53,00	11,30	14,50	21,40	22.0001.0206
43,00	1,693	42,85	43,00	48,40	12,70	15,90	21,30	22.0001.0043
43,66	1,719	43,56	43,71	51,60	14,30	17,50	20,70	22.0001.0207
44,17	1,739	44,09	44,25	52,40	9,50	12,70	20,70	22.0001.0208
44,45	1,750	44,37	44,53	52,40	14,30	17,50	20,70	22.0001.0209
44,86	1,766	44,73	44,88	52,40	14,30	17,50	20,70	22.0001.0210
45,00	1,772	44,93	45,09	53,00	14,00	17,00	20,60	22.0001.0045
45,24	1,781	45,16	45,31	54,00	16,90	20,30	27,00	22.0001.0451
46,05	1,813	45,95	46,10	53,10	14,30	17,50	25,40	22.0001.0211
48,03	1,891	47,93	48,09	56,00	14,00	17,00	25,00	22.0001.0212
49,23	1,938	49,12	49,28	56,40	14,30	17,50	25,40	22.0001.0213
50,00	1,969	49,91	50,06	57,00	14,00	17,00	25,00	22.0001.0050
50,80	2,000	50,72	50,88	61,10	14,30	17,50	25,40	22.0001.0214
52,00	2,047	51,82	52,00	62,70	12,70	15,90	34,50	22.0001.0052
53,98	2,125	53,92	54,05	61,50	12,70	19,10	32,50	22.0001.0215
53,98	2,125	53,95	54,10	61,50	19,80	23,80	34,90	22.0001.0216
55,00	2,165	54,91	55,07	62,00	20,00	23,00	31,80	22.0001.0055
56,00	2,205	55,83	56,00	64,30	12,70	15,90	33,40	22.0001.0561
57,15	2,250	57,12	57,28	64,30	8,00	11,10	33,40	22.0001.0217
58,00	2,283	57,91	58,06	65,99	19,84	23,83	34,93	22.0001.0058
60,00	2,362	59,92	60,07	70,70	9,40	11,40	34,90	22.0001.0601
60,00	2,362	59,92	60,07	70,70	20,00	23,00	37,30	22.0001.0060
62,00	2,441	61,82	62,00	71,80	12,70	15,90	36,10	22.0001.0062
63,50	2,500	63,50	63,65	71,80	12,70	16,70	35,40	22.0001.0218
65,00	2,559	64,92	65,08	72,40	20,00	23,00	34,90	22.0001.0065
66,00	2,598	65,91	66,07	76,00	19,80	23,80	31,80	22.0001.0066
68,00	2,677	67,82	68,00	79,40	19,10	22,20	42,90	22.0001.0068
69,85	2,750	69,77	69,93	78,10	36,50	41,30	41,30	22.0001.0220

Nominal shaft Ø		Shaft Ø range (mm)		ØD (±1,6)	B1 (±0,8)	B2 (±0,8)	z	Code
mm	in	Min.	Max.					
70,00	2,756	69,93	70,08	79,40	20,00	24,00	31,80	22.0001.0701
71,45	2,813	71,35	71,50	81,00	15,10	17,50	31,80	22.0001.0226
72,00	2,835	71,83	72,00	81,90	19,10	22,20	34,10	22.0001.0072
73,03	2,875	72,97	73,13	81,80	19,80	23,80	31,80	22.0001.0073
74,63	2,938	74,60	74,75	84,90	19,80	23,80	33,40	22.0001.0227
75,00	2,953	74,93	75,08	83,10	15,10	17,50	27,50	22.0001.0075
75,00	2,953	74,93	75,08	84,00	22,00	26,00	33,40	22.0001.0751
78,00	3,071	77,83	78,00	88,00	19,10	22,20	52,20	22.0001.0078
79,91	3,146	79,81	80,01	89,90	19,10	22,50	34,90	22.0001.0228
80,00	3,150	79,91	80,09	90,00	11,00	15,00	34,90	22.0001.0801
80,00	3,150	79,91	80,09	90,00	21,00	24,00	34,90	22.0001.0080
82,00	3,228	81,92	82,07	91,10	16,80	21,50	44,50	22.0001.0082
82,55	3,250	82,55	82,70	90,80	15,10	18,30	34,90	22.0001.0229
82,55	3,250	82,55	82,70	91,10	17,50	22,20	31,80	22.0001.0230
84,07	3,310	84,00	84,15	93,70	20,60	25,40	34,90	22.0001.0235
84,89	3,342	84,76	85,01	94,00	17,00	21,00	35,00	22.0001.0240
84,89	3,342	84,76	85,01	94,00	21,00	25,00	35,00	22.0001.0063
85,00	3,346	84,79	85,00	90,90	10,10	12,70	36,30	22.0001.0085
85,73	3,375	85,67	85,83	93,80	20,60	25,40	34,90	22.0001.0061
85,73	3,375	85,67	85,83	93,70	9,50	12,70	35,80	22.0001.0061
88,90	3,500	88,82	88,98	97,60	15,90	20,60	34,20	22.0001.0891
88,90	3,500	88,90	89,06	97,20	8,00	12,70	34,20	22.0001.0059
88,90	3,500	88,90	89,06	97,60	20,60	25,40	34,20	22.0001.0089
89,00	3,504	88,92	89,08	97,60	15,90	20,60	34,20	22.0001.0891
90,00	3,543	89,91	90,07	101,60	11,10	13,70	46,00	22.0001.0901
90,00	3,543	89,91	90,07	101,60	13,40	16,90	44,50	22.0001.0902
90,00	3,543	89,91	90,07	101,60	18,00	23,00	46,00	22.0001.0090
90,00	3,543	89,91	90,07	101,60	23,00	28,00	44,50	22.0001.0903
95,00	3,740	94,92	95,08	102,20	21,00	24,00	45,70	22.0001.0095
95,00	3,740	95,00	95,15	102,50	11,90	15,10	45,70	22.0001.0951
95,00	3,740	95,00	95,15	102,40	8,70	12,70	45,70	22.0001.0952
98,32	3,871	98,24	98,40	106,30	20,65	25,40	47,63	22.0001.0057
100,00	3,937	99,95	100,11	109,50	20,60	25,40	52,00	22.0001.0100
101,60	4,000	101,55	101,75	111,10	16,50	19,70	34,90	22.0001.0053
104,00	4,094	103,89	104,09	112,70	20,00	24,00	36,00	22.0001.0104
105,00	4,134	104,90	105,10	113,50	20,00	23,20	35,00	22.0001.0105
109,93	4,328	109,91	110,11	125,00	12,90	16,50	32,00	22.0001.1101
110,00	4,331	109,78	110,00	125,00	11,40	15,00	32,90	22.0001.0110
111,91	4,406	111,80	112,00	120,70	19,10	22,50	33,00	22.0001.0051
114,30	4,500	114,20	114,40	124,50	20,60	25,40	32,00	22.0001.0049
115,00	4,528	114,89	115,09	127,00	20,60	23,80	32,00	22.0001.0115
120,00	4,724	119,89	120,09	129,80	8,00	11,00	33,60	22.0001.0120
120,00	4,724	119,89	120,09	129,80	20,00	25,00	32,00	22.0001.1201

Nominal shaft Ø		Shaft Ø range (mm)		ØD (±1,6)	B1 (±0,8)	B2 (±0,8)	z	Code
mm	in	Min.	Max.					
122,00	4,803	121,90	122,10	131,50	20,00	24,00	32,00	22.0001.0122
123,00	4,843	122,91	123,11	132,80	20,00	25,00	31,60	22.0001.0123
125,00	4,921	124,89	125,10	137,20	10,00	14,00	36,50	22.0001.0125
125,00	4,921	124,89	125,10	137,20	26,00	32,00	36,50	22.0001.1251
127,00	5,000	126,95	127,15	137,20	17,50	22,20	36,50	22.0001.1272
127,00	5,000	126,95	127,15	136,90	20,60	25,40	36,50	22.0001.1273
127,00	5,000	126,95	127,15	137,20	13,70	17,30	36,50	22.0001.1274
129,90	5,114	129,79	130,00	139,50	19,10	23,80	30,00	22.0001.0048
130,18	5,125	129,97	130,18	139,50	22,00	25,30	32,50	22.0001.0047
134,95	5,313	134,80	135,00	145,70	20,50	25,40	31,80	22.0001.0046
140,00	5,512	139,90	140,11	151,00	20,50	25,40	31,80	22.0001.0140
145,00	5,709	144,75	145,00	154,90	19,10	22,20	46,00	22.0001.0145
150,00	5,906	149,75	150,01	159,00	26,00	30,00	32,50	22.0001.0150
154,00	6,063	153,87	154,13	161,90	26,00	30,00	33,00	22.0001.0154
154,86	6,097	154,75	155,00	167,00	26,00	30,00	33,00	22.0001.0044
160,00	6,299	159,74	160,00	171,40	25,40	31,80	35,00	22.0001.0160
165,10	6,500	164,97	165,23	177,80	25,40	31,80	35,00	22.0001.0042
180,01	7,087	179,75	180,01	190,50	33,00	38,00	44,50	22.0001.0039
190,50	7,500	190,37	190,63	200,00	20,60	25,40	31,80	22.0001.0037
200,03	7,875	199,87	200,13	212,70	34,50	38,10	44,50	22.0001.0034

List is not exhaustive. For any special requests, please contact us.

End caps

Description

Static cap aim at sealing boreholes in gearbox housings, motors, pumps, motoreducers...

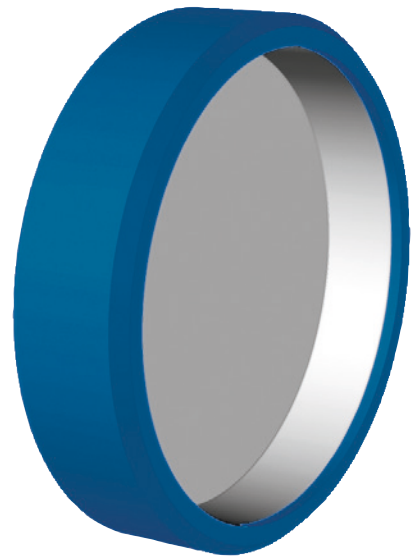
Techné caps are full or half-covered with rubber. Rubber is bonded on the metal surface.

Characteristics

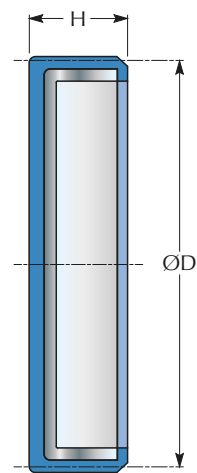
- Metal cap bonded with rubber
- Tolerances of outside diameter acc. to DIN 3760 (see Technical instructions page 126)
- Easy fitting with a hydraulic press (recommended) or with a hammer
- Housing tolerance from Ø19 to Ø240: H8

Materials

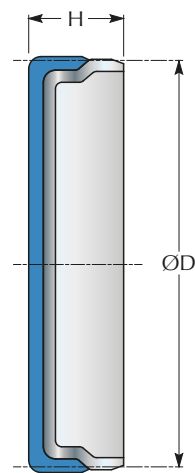
- Metal cap: steel (standard) / Stainless steel AISI 304 (on request)
- Rubber: NBR / FKM



Dimensional list



TVK



1/2 TVK

ØOD	H	Type	Material	Item no.
19	5,5	TVK	NBR	22.5000.1955
19	7	TVK	NBR	22.5000.0197
22	5	1/2E TVK	NBR	22.5310.0225
22	6	TVK	NBR	22.5000.0226
25	4	1/2E TVK	NBR	22.5310.0254
26	6	1/2E TVK	NBR	22.5310.0266
28	4	TVK	NBR	22.5000.0284
28	7	TVK	NBR	22.5000.0287
28	7	1/2E TVK	NBR	22.5310.0287
30	6	TVK	NBR	22.5000.0306
30	8	TVK	NBR	22.5000.0308
30	8	1/2E TVK	NBR	22.5310.0308
32	7	TVK	NBR	22.5000.0327
32	8	1/2E TVK	NBR	22.5310.0328
32	9,5	TVK	NBR	22.5000.3295
35	5	TVK	NBR	22.5000.0355
35	6,5	1/2E TVK	NBR	22.5310.0356
35	7	TVK	NBR	22.5000.0357
35	8	TVK	NBR	22.5000.0358
37	5	TVK	NBR	22.5000.0037
37	7	TVK	NBR	22.5000.0377
37	7	1/2E TVK	NBR	22.5310.0377
37	10	TVK	NBR	22.5000.3710
40	7	TVK	FKM	22.5500.0407
40	7	1/2E TVK	NBR	22.5310.0407
40	7	TVK	NBR	22.5000.0407
40	14	TVK	NBR	22.5000.4014
42	6	1/2E TVK	NBR	22.5310.0426
42	7	TVK	NBR	22.5000.0427
42	7	1/2E TVK	NBR	22.5310.0427

ØOD	H	Type	Material	Item no.
45	7	TVK	NBR	22.5000.0457
47	4	TVK	NBR	22.5000.0474
47	7	1/2E TVK	NBR	22.5310.0477
47	7	TVK	NBR	22.5000.0477
47	8	TVK	NBR	22.5000.0478
47	8	1/2E TVK	NBR	22.5310.0478
47	10	TVK	NBR	22.5000.4710
50	7	TVK	NBR	22.5000.0507
50	7	1/2E TVK	NBR	22.5310.0507
50	10	TVK	NBR	22.5000.5010
50	14	TVK	NBR	22.5000.5014
52	6,5	TVK	NBR	22.5000.5265
52	6,5	1/2E TVK	NBR	22.5310.0526
52	6,5	TVK	NBR	22.5000.0526
52	10	TVK	NBR	22.5000.5210
55	8	1/2E TVK	NBR	22.5310.0558
55	10	TVK	NBR	22.5000.5510
60	7	TVK	NBR	22.5000.0607
60	7	1/2E TVK	NBR	22.5310.0607
60	8	TVK	NBR	22.5000.6080
60	8	1/2E TVK	NBR	22.5310.0608
60	10	TVK	NBR	22.5000.6010
60	10	1/2E TVK	NBR	22.5310.0601
62	7	TVK	NBR	22.5000.0627
62	7	TVK	NBR	22.5000.0038
62	8	TVK	NBR	22.5000.0628
62	8	1/2E TVK	NBR	22.5310.0628
62	10	TVK	NBR	22.5000.6210
62	12	TVK	NBR	22.5000.6212
65	8	TVK	NBR	22.5000.0658
65	8	1/2E TVK	NBR	22.5310.0658
65	10	TVK	NBR	22.5000.6510
68	8	TVK	NBR	22.5000.0688
68	8	1/2E TVK	NBR	22.5310.0688
68	8,5	TVK	NBR	22.5000.6885
70	8	1/2E TVK	NBR	22.5310.0708
70	10	TVK	NBR	22.5000.7010
72	7	TVK	NBR	22.5000.0727
72	9	TVK	NBR	22.5000.0729
72	9	TVK	FKM	22.5500.0729
72	9	1/2E TVK	NBR	22.5310.0729
72	10	TVK	NBR	22.5000.7210
75	7	TVK	NBR	22.5000.7507
75	7	1/2E TVK	NBR	22.5310.0757
75	12	TVK	NBR	22.5000.7512
80	7	TVK	NBR	22.5000.0807
80	10	TVK	NBR	22.5000.8010

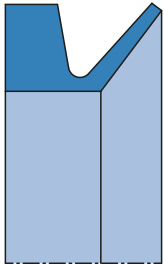
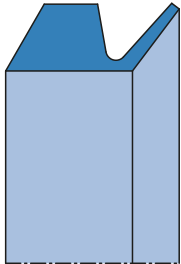
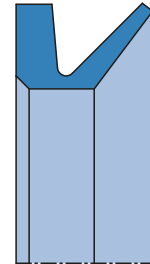
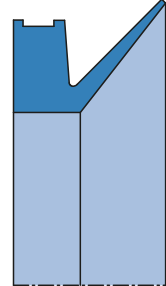
ØOD	H	Type	Material	Item no.
80	12	TVK	NBR	22.5000.8012
80	12	1/2E TVK	NBR	22.5310.0801
85	10	TVK	NBR	22.5000.8510
85	12	TVK	NBR	22.5000.8512
85	12	1/2E TVK	NBR	22.5310.0851
90	8	TVK	NBR	22.5000.0908
90	10	TVK	NBR	22.5000.9010
90	12	TVK	NBR	22.5000.9012
90	12	1/2E TVK	NBR	22.5310.0901
92	10	TVK	NBR	22.5000.9210
95	10	TVK	NBR	22.5000.9510
100	10	TVK	NBR	22.5000.0110
100	12	TVK	NBR	22.5000.0112
100	12	1/2E TVK	NBR	22.5310.1001
105	10	TVK	NBR	22.5000.0105
110	10	TVK	NBR	22.5000.1110
110	12	TVK	NBR	22.5000.1112
110	12	1/2E TVK	NBR	22.5310.1101
115	12	1/2E TVK	NBR	22.5310.1151
120	12	TVK	NBR	22.5000.0120
120	12	1/2E TVK	NBR	22.5310.1201
125	12	TVK	NBR	22.5000.1251
125	12	1/2E TVK	NBR	22.5310.1251
130	12	TVK	NBR	22.5000.1312
130	12	1/2E TVK	NBR	22.5310.1301
140	15	TVK	NBR	22.5000.1415
150	15	TVK	NBR	22.5000.1515
150	15	1/2E TVK	NBR	22.5310.1501
160	15	TVK	NBR	22.5000.1615
160	15	1/2E TVK	NBR	22.5310.1601
170	15	TVK	NBR	22.5000.1715
180	12	TVK	NBR	22.5000.1812
200	13	TVK	NBR	22.5000.2001
200	13	1/2E TVK	NBR	22.5310.2001
220	15	TVK	NBR	22.5000.2201
225	14	TVK	NBR	22.5000.2251
225	14	1/2E TVK	NBR	22.5310.2251
230	14	TVK	NBR	22.5000.0230
240	15	TVK	NBR	22.5000.2401
240	15	1/2E TVK	NBR	22.5310.2401

V-Seals

Description

V-seal profile is designed for keeping dirt, dust, oil and water splashes or from ingressing into a system. V-seals are very often used either to protect a bearing or a primary seal, mostly rotary shaft seals.

There are 4 standard profiles depending on groove design:

VA	VS	VL	VE
			
<p>This profile is the most standard one. It can be used in with a back-flange to ensure a better axial positioning on the shaft.</p> <p>VA-Seals are available for shafts from 3 mm to 2000 mm diameter.</p>	<p>The pyramidal-shaped profile of VS grants a good axial positioning on the shaft, preventing from moving backwards. The axial position can even be improved using a retaining circlip.</p> <p>VS-Seals are available for small diameters' shafts from 5 mm to 200 mm.</p>	<p>This compact profile is available for big diameters' shafts from 105 mm to 875 mm. For bigger sizes, please contact Techné sales department.</p>	<p>VE-Seals are mainly used in applications with big diameters' shafts from 320 mm to 2200 mm. An additionning clamping band can be set up on its outside diameter</p> <p>For bigger sizes, please contact Techné sales department.</p>

Advantages

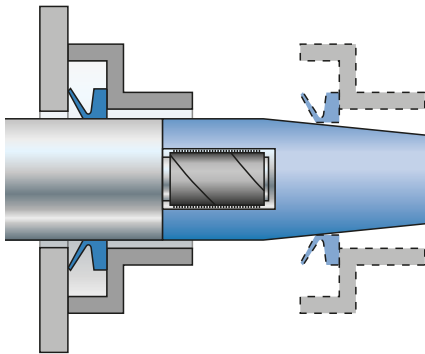
- Easy assembly due to their high stretchability
- Accepts large shaft manufacturing tolerances and various shaft roughnesses.
- V-seals accept large shaft misalignment and run-out
- Low contact pressure on counterface thanks to the flexible lip, preventing lip and counterface from abrasion and allowing reduced power losses.
- For high rotation speed applications, an additional coating (T-Coat) may even improve the V-seal sliding properties.
- Economic sealing solution

Limitations

- Cannot be used in applications with pressure differentials
- Not appropriate for counterface with flatness defect (for instance $> 0,4$ mm for counterface diameter 100 mm)
- Must be handled carefully (thin lip)

Fitting

V-seals assembly is optimally made with the help of an assembly tool, granting an appropriate axial distance B.



Tension ratio

V-Seals are fitted in tension on the shaft. This ensures a good maintaining on the shaft. It is then necessary to select the appropriate seal nominal diameter. Please refer to our dimensional lists hereafter.

Roughness

Roughness of the seals' counterface is described in the table below:

Medium	Rotation speed (m/s)	Counterface roughness (Ra)
Durt and dirt	< 1	2,0
Dust, durt, water splashes	1-5	1,6-2,0
Dust, durt, oil	5-10	0,8-1,6
and water splashes	> 10	0,4-0,8

Fitting with back-flange

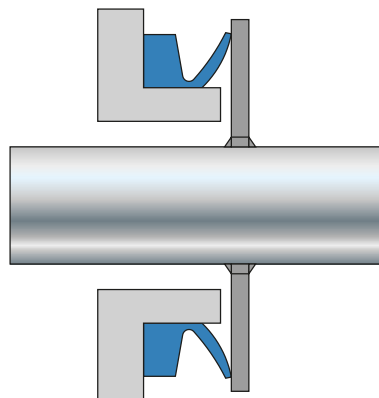
For high rotation speeds, especially when $> 5\text{m/s}$, Techné recommends to add a back-flange or a circlip to support the V-Seal and to prevent it to move backwards. Flange dimension depends on the selected V-Seal profile. For dimensioning help, please contact Techné Technical department.

Fitting with additional clamping band

Mostly for bigger sizes or high rotating speeds, especially when $> 10\text{ m/s}$, Techné recommends to select V-Seal type VE and to fix it on the shaft thanks to an additional radial clamping band.

Fitting with a rotating counterface

To avoid V-seals from moving backwards due to centrifugal forces when used with high rotation speed, V-seals can be used stationarily. The counterpart is then fitted on the shaft and rotates with it.



Applications

Depending on customer's application, corresponding V-seal profile can be selected:

- VA: most common type.
Can be used in many application, i.e. in combination with bearings, in electrical motors, gearboxes, house appliances ...
- VS: fitted tightened on the shaft for high vibration applications , i.e. farming machines, trucks ...
- VL: designed for reduced fitting spaces
- VE: designed with a big lip for heavy-duty applications and big sized industrial machines (rolling mills, paper making machines, ...)

Coatings

For high-end applications, where a very low friction force is required, Techné offers a full range of coatings, adapted to customers' applications and counterfaces' materials.

Some application examples:

- noise reduction in house appliances
- performance increase in competition sport equipments
- extended service life time for industrial machines
- anti stick-slip effect
- ...

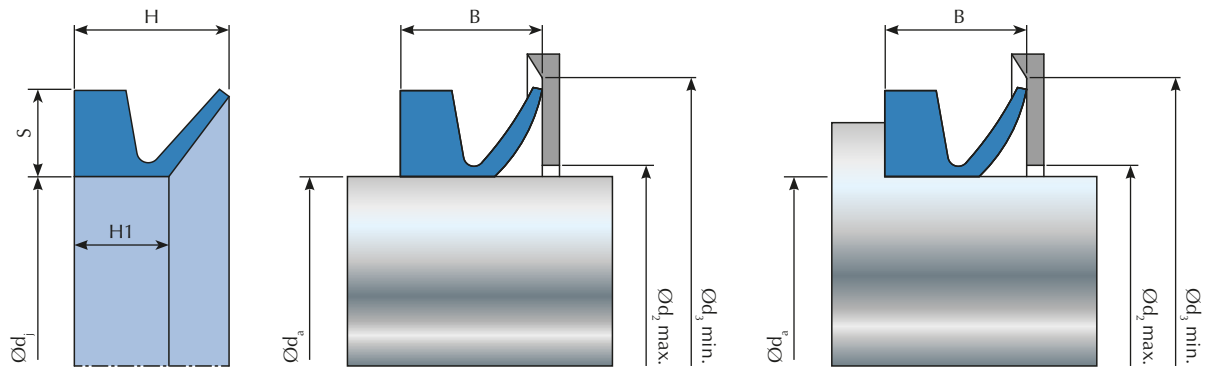
Materials

V-Seals are available in several materials:

- NBR: Standard material.
Techné mainly choses ozon resistant NBR compounds
- FKM: For high temperature applications and contacts with chemicals.
- EPDM: mostly for food applications with FDA grade.

Dimensional list

✓ VA



Type	Ød _a (shaft)		Ød ₁ (seal)	S	H	H ₁	d ₂	d ₃	B	Material	Code
	Min.	Max.									
VA 3	2,7	3,5	2,5	2,5	3	2,1	d _a + 1	d _a + 4	2,5 ±0,3	NBR	08.0801.0003
VA 3	2,7	3,5	3,2	2,5	3	2,1	d _a + 1	d _a + 4	2,5 ±0,3	FKM	08.0811.0003
VA 4	3,5	4,5	3,2	2	3,7	2,4	d _a + 1	d _a + 6	3,0 ±0,4	FKM	08.0811.0004
VA 4	3,5	4,5	3,2	2	3,7	2,4	d _a + 1	d _a + 6	3,0 ±0,4	NBR	08.0801.0451
VA 5	4,5	5,5	4	2	3,7	2,4	d _a + 1	d _a + 6	3,0 ±0,4	FKM	08.0811.0280
VA 5	4,5	5,5	4	2	3,7	2,4	d _a + 1	d _a + 6	3,0 ±0,4	NBR	08.0801.0004
VA 6	5,5	6,5	5	2	3,7	2,4	d _a + 1	d _a + 6	3,0 ±0,4	FKM	08.0811.0006
VA 6	5,5	6,5	5	2	3,7	2,4	d _a + 1	d _a + 6	3,0 ±0,4	NBR	08.0801.0005
VA 7	6,5	8	6	2	3,7	2,4	d _a + 1	d _a + 6	3,0 ±0,4	FKM	08.0811.0007
VA 7	6,5	8	6	2	3,7	2,4	d _a + 1	d _a + 6	3,0 ±0,4	NBR	08.0801.0010
VA 8	8	9,5	7	2	3,7	2,4	d _a + 1	d _a + 6	3,0 ±0,4	NBR FDA	08.0804.0014
VA 8	8	9,5	7	2	3,7	2,4	d _a + 1	d _a + 6	3,0 ±0,4	FKM	08.0811.0008
VA 8	8	9,5	7	2	3,7	2,4	d _a + 1	d _a + 6	3,0 ±0,4	NBR	08.0801.0015
VA 8	8	9,5	7	2	3,7	2,4	d _a + 1	d _a + 6	3,0 ±0,4	EPDM	08.0821.0088
VA 10	9,5	11,5	9	3	5,5	3,4	d _a + 2	d _a + 9	4,5 ±0,6	FKM	08.0811.0022
VA 10	9,5	11,5	9	3	5,5	3,4	d _a + 2	d _a + 9	4,5 ±0,6	NBR	08.0801.0020
VA 12	11,5	12,5	10,5	3	5,5	3,4	d _a + 2	d _a + 9	4,5 ±0,6	FKM	08.0811.0027
VA 12	11,5	12,5	10,5	3	5,5	3,4	d _a + 2	d _a + 9	4,5 ±0,6	NBR	08.0801.0025
VA 13	12,5	13,5	11,7	3	5,5	3,4	d _a + 2	d _a + 9	4,5 ±0,6	FKM	08.0811.0013
VA 13	12,5	13,5	11,7	3	5,5	3,4	d _a + 2	d _a + 9	4,5 ±0,6	NBR	08.0801.0013
VA 13	12,5	13,5	11,7	3	5,5	3,4	d _a + 2	d _a + 9	4,5 ±0,6	NBR FDA	08.0804.0013
VA 14	13,5	15,5	12,5	3	5,5	3,4	d _a + 2	d _a + 9	4,5 ±0,6	FKM	08.0811.0014
VA 14	13,5	15,5	12,5	3	5,5	3,4	d _a + 2	d _a + 9	4,5 ±0,6	NBR	08.0801.0030
VA 16	15,5	17,5	14	3	5,5	3,4	d _a + 2	d _a + 9	4,5 ±0,6	FKM	08.0811.0016
VA 16	15,5	17,5	14	3	5,5	3,4	d _a + 2	d _a + 9	4,5 ±0,6	NBR FDA	08.0804.0016
VA 16	15,5	17,5	14	3	5,5	3,4	d _a + 2	d _a + 9	4,5 ±0,6	NBR	08.0801.0035
VA 18	17,5	19	16	3	5,5	3,4	d _a + 2	d _a + 9	4,5 ±0,6	NBR	08.0801.0040
VA 18	17,5	19	16	3	5,5	3,4	d _a + 2	d _a + 9	4,5 ±0,6	NBR FDA	08.0804.0018
VA 18	17,5	19	16	3	5,5	3,4	d _a + 2	d _a + 9	4,5 ±0,6	FKM	08.0811.0181
VA 20	19	21	18	4	7,5	4,7	d _a + 2	d _a + 12	6,0 ±0,8	NBR	08.0801.0045

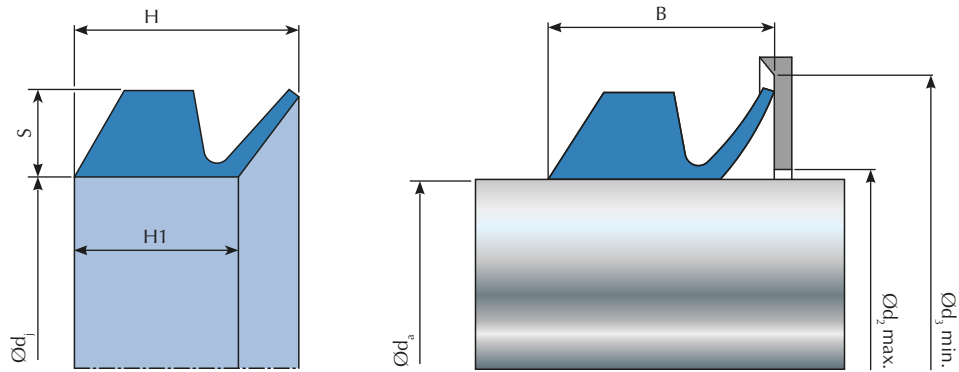
Type	Ød _a (shaft)		Ød _s (seal)	S	H	H ₁	d ₂	d ₃	B	Material	Code
	Min.	Max.									
VA 20	19	21	18	4	7,5	4,7	d _a + 2	d _a + 12	6,0 ±0,8	FKM	08.0811.0147
VA 22	21	24	20	4	7,5	4,7	d _a + 2	d _a + 12	6,0 ±0,8	EPDM	08.0821.0022
VA 22	21	24	20	4	7,5	4,7	d _a + 2	d _a + 12	6,0 ±0,8	FKM	08.0811.0465
VA 22	21	24	20	4	7,5	4,7	d _a + 2	d _a + 12	6,0 ±0,8	NBR	08.0801.0050
VA 25	24	27	22	4	7,5	4,7	d _a + 2	d _a + 12	6,0 ±0,8	FKM	08.0811.0057
VA 25	24	27	22	4	7,5	4,7	d _a + 2	d _a + 12	6,0 ±0,8	NBR	08.0801.0055
VA 25	24	27	22	4	7,5	4,7	d _a + 2	d _a + 12	6,0 ±0,8	EPDM	08.0821.0255
VA 28	27	29	25	4	7,5	4,7	d _a + 3	d _a + 12	6,0 ±0,8	FKM	08.0811.0028
VA 28	27	29	25	4	7,5	4,7	d _a + 3	d _a + 12	6,0 ±0,8	NBR	08.0801.0060
VA 30	29	31	27	4	7,5	4,7	d _a + 3	d _a + 12	6,0 ±0,8	FKM	08.0811.0324
VA 30	29	31	27	4	7,5	4,7	d _a + 3	d _a + 12	6,0 ±0,8	NBR	08.0801.0065
VA 30	29	31	27	4	7,5	4,7	d _a + 3	d _a + 12	6,0 ±0,8	NBR FDA	08.0804.0030
VA 32	31	33	29	4	7,5	4,7	d _a + 3	d _a + 12	6,0 ±0,8	FKM	08.0811.0032
VA 32	31	33	29	4	7,5	4,7	d _a + 3	d _a + 12	6,0 ±0,8	NBR	08.0801.0070
VA 32	31	33	29	4	7,5	4,7	d _a + 3	d _a + 12	6,0 ±0,8	NBR FDA	08.0804.0032
VA 35	33	36	31	4	7,5	4,7	d _a + 3	d _a + 12	6,0 ±0,8	NBR	08.0801.0075
VA 35	33	36	31	4	7,5	4,7	d _a + 3	d _a + 12	6,0 ±0,8	FKM	08.0811.0563
VA 38	36	38	34	4	7,5	4,7	d _a + 3	d _a + 12	6,0 ±0,8	FKM	08.0811.0038
VA 38	36	38	34	4	7,5	4,7	d _a + 3	d _a + 12	6,0 ±0,8	NBR	08.0801.0080
VA 40	38	43	36	5	9	5,5	d _a + 3	d _a + 15	7,0 ±1,0	EPDM	08.0821.0023
VA 40	38	43	36	5	9	5,5	d _a + 3	d _a + 15	7,0 ±1,0	NBR	08.0801.0085
VA 40	38	43	36	5	9	5,5	d _a + 3	d _a + 15	7,0 ±1,0	NBR FDA	08.0804.0040
VA 40	38	43	36	5	9	5,5	d _a + 3	d _a + 15	7,0 ±1,0	FKM	08.0811.0574
VA 45	43	48	40	5	9	5,5	d _a + 3	d _a + 15	7,0 ±1,0	EPDM FDA	08.0826.0045
VA 45	43	48	40	5	9	5,5	d _a + 3	d _a + 15	7,0 ±1,0	FKM	08.0811.0011
VA 45	43	48	40	5	9	5,5	d _a + 3	d _a + 15	7,0 ±1,0	NBR	08.0801.0090
VA 45	43	48	40	5	9	5,5	d _a + 3	d _a + 15	7,0 ±1,0	EPDM	08.0821.0450
VA 50	48	53	45	5	9	5,5	d _a + 3	d _a + 15	7,0 ±1,0	EPDM FDA	08.0826.0050
VA 50	48	53	45	5	9	5,5	d _a + 3	d _a + 15	7,0 ±1,0	NBR	08.0801.0095
VA 50	48	53	45	5	9	5,5	d _a + 3	d _a + 15	7,0 ±1,0	EPDM	08.0821.0050
VA 50	48	53	45	5	9	5,5	d _a + 3	d _a + 15	7,0 ±1,0	FKM	08.0811.0236
VA 50	48	53	45	5	9	5,5	d _a + 3	d _a + 15	7,0 ±1,0	NBR	08.0801.8001
VA 55	53	58	49	5	9	5,5	d _a + 3	d _a + 15	7,0 ±1,0	FKM	08.0811.1912
VA 55	53	58	49	5	9	5,5	d _a + 3	d _a + 15	7,0 ±1,0	NBR	08.0801.0100
VA 60	58	63	54	5	9	5,5	d _a + 3	d _a + 15	7,0 ±1,0	FKM	08.0811.0658
VA 60	58	63	54	5	9	5,5	d _a + 3	d _a + 15	7,0 ±1,0	EPDM	08.0821.0600
VA 60	58	63	54	5	9	5,5	d _a + 3	d _a + 15	7,0 ±1,0	NBR	08.0801.0105
VA 65	63	68	58	5	9	5,5	d _a + 3	d _a + 15	7,0 ±1,0	EPDM FDA	08.0826.0065
VA 65	63	68	58	5	9	5,5	d _a + 3	d _a + 15	7,0 ±1,0	FKM	08.0811.0111
VA 65	63	68	58	5	9	5,5	d _a + 3	d _a + 15	7,0 ±1,0	NBR	08.0801.0110
VA 70	68	73	63	6	11	6,8	d _a + 4	d _a + 18	9,0 ±1,2	FKM	08.0811.0976
VA 70	68	73	63	6	11	6,8	d _a + 4	d _a + 18	9,0 ±1,2	NBR	08.0801.0115
VA 75	73	78	67	6	11	6,8	d _a + 4	d _a + 18	9,0 ±1,2	EPDM	08.0821.0075
VA 75	73	78	67	6	11	6,8	d _a + 4	d _a + 18	9,0 ±1,2	NBR	08.0801.0120
VA 75	73	78	67	6	11	6,8	d _a + 4	d _a + 18	9,0 ±1,2	FKM	08.0811.0750
VA 80	78	83	72	6	11	6,8	d _a + 4	d _a + 18	9,0 ±1,2	EPDM	08.0821.0080

Type	Ød _a (shaft)		Ød _s (seal)	S	H	H ₁	d ₂	d ₃	B	Material	Code
	Min.	Max.									
VA 80	78	83	72	6	11	6,8	d _a + 4	d _a + 18	9,0 ±1,2	FKM	08.0811.0258
VA 80	78	83	72	6	11	6,8	d _a + 4	d _a + 18	9,0 ±1,2	NBR	08.0801.0125
VA 80	78	83	72	6	11	6,8	d _a + 4	d _a + 18	9,0 ±1,2	NBR	08.0801.0007
VA 85	83	88	76	6	11	6,8	d _a + 4	d _a + 18	9,0 ±1,2	EPDM	08.0821.0856
VA 85	83	88	76	6	11	6,8	d _a + 4	d _a + 18	9,0 ±1,2	NBR	08.0801.0130
VA 85	83	88	76	6	11	6,8	d _a + 4	d _a + 18	9,0 ±1,2	FKM	08.0811.9874
VA 85	83	88	76	6	11	6,8	d _a + 4	d _a + 18	9,0 ±1,2	EPDM	08.0821.8560
VA 90	88	93	81	6	11	6,8	d _a + 4	d _a + 18	9,0 ±1,2	NBR	08.0801.0135
VA 90	88	93	81	6	11	6,8	d _a + 4	d _a + 18	9,0 ±1,2	FKM	08.0811.0900
VA 95	93	98	85	6	11	6,8	d _a + 4	d _a + 18	9,0 ±1,2	EPDM	08.0821.0095
VA 95	93	98	85	6	11	6,8	d _a + 4	d _a + 18	9,0 ±1,2	FKM	08.0811.0950
VA 95	93	98	85	6	11	6,8	d _a + 4	d _a + 18	9,0 ±1,2	NBR	08.0801.0140
VA 100	98	105	90	6	11	6,8	d _a + 4	d _a + 18	9,0 ±1,2	FKM	08.0811.5644
VA 100	98	105	90	6	11	6,8	d _a + 4	d _a + 18	9,0 ±1,2	NBR	08.0801.0145
VA 100	98	105	90	6	11	6,8	d _a + 4	d _a + 18	9,0 ±1,2	EPDM FDA	08.0826.0100
VA 110	105	115	99	7	12,8	7,9	d _a + 4	d _a + 21	10,5 ±1,6	FKM	08.0811.0254
VA 110	105	115	99	7	12,8	7,9	d _a + 4	d _a + 21	10,5 ±1,6	NBR	08.0801.0150
VA 110	105	115	99	7	12,8	7,9	d _a + 4	d _a + 21	10,5 ±1,6	EPDM	08.0821.1106
VA 120	115	125	108	7	12,8	7,9	d _a + 4	d _a + 21	10,5 ±1,6	FKM	08.0811.1200
VA 120	115	125	108	7	12,8	7,9	d _a + 4	d _a + 21	10,5 ±1,6	NBR	08.0801.0155
VA 130	125	135	117	7	12,8	7,9	d _a + 4	d _a + 21	10,5 ±1,6	NBR FDA	08.0804.0015
VA 130	125	135	117	7	12,8	7,9	d _a + 4	d _a + 21	10,5 ±1,6	NBR	08.0801.0160
VA 130	125	135	117	7	12,8	7,9	d _a + 4	d _a + 21	10,5 ±1,6	FKM	08.0811.9871
VA 140	135	145	126	7	12,8	7,9	d _a + 4	d _a + 21	10,5 ±1,6	NBR	08.0801.0165
VA 140	135	145	126	7	12,8	7,9	d _a + 4	d _a + 21	10,5 ±1,6	FKM	08.0811.1185
VA 150	145	155	135	7	12,8	7,9	d _a + 4	d _a + 21	10,5 ±1,6	FKM	08.0811.0151
VA 150	145	155	135	7	12,8	7,9	d _a + 4	d _a + 21	10,5 ±1,6	NBR	08.0801.0170
VA 160	155	165	144	8	14,5	9	d _a + 5	d _a + 24	12,0 ±1,8	NBR	08.0801.0175
VA 160	155	165	144	8	14,5	9	d _a + 5	d _a + 24	12,0 ±1,8	FKM	08.0811.0645
VA 170	165	175	153	8	14,5	9	d _a + 5	d _a + 24	12,0 ±1,8	FKM	08.0811.0185
VA 170	165	175	153	8	14,5	9	d _a + 5	d _a + 24	12,0 ±1,8	EPDM	08.0821.0170
VA 170	165	175	153	8	14,5	9	d _a + 5	d _a + 24	12,0 ±1,8	NBR	08.0801.0180
VA 180	175	185	162	8	14,5	9	d _a + 5	d _a + 24	12,0 ±1,8	NBR	08.0801.0190
VA 180	175	185	162	8	14,5	9	d _a + 5	d _a + 24	12,0 ±1,8	FKM	08.0811.0018
VA 190	185	195	171	8	14,5	9	d _a + 5	d _a + 24	12,0 ±1,8	NBR	08.0801.0195
VA 190	185	195	171	8	14,5	9	d _a + 5	d _a + 24	12,0 ±1,8	FKM	08.0811.6555
VA 199	195	210	180	8	14,5	9	d _a + 5	d _a + 24	12,0 ±1,8	NBR	08.0801.0200
VA 199	195	210	180	8	14,5	9	d _a + 5	d _a + 24	12,0 ±1,8	FKM	08.0811.0199
VA 200	190	210	180	15	25	14,3	d _a + 10	d _a + 45	20,0 ±4,0	NBR	08.0801.0205
VA 200	190	210	180	15	25	14,3	d _a + 10	d _a + 45	20,0 ±4,1	EPDM	08.0821.0200
VA 200	190	210	180	15	25	14,3	d _a + 10	d _a + 45	20,0 ±4,2	FKM	08.0811.0201
VA 200	190	210	180	15	25	14,3	d _a + 10	d _a + 45	20,0 ±4,3	NBR	08.0801.0002
VA 220	210	235	198	15	25	14,3	d _a + 10	d _a + 45	20,0 ±4,4	NBR	08.0801.0210
VA 220	210	235	198	15	25	14,3	d _a + 10	d _a + 45	20,0 ±4,5	FKM	08.0811.0562
VA 250	235	265	225	15	25	14,3	d _a + 10	d _a + 45	20,0 ±4,6	FKM	08.0811.6554
VA 250	235	265	225	15	25	14,3	d _a + 10	d _a + 45	20,0 ±4,7	NBR	08.0801.0215

Type	Ød _a (shaft)		Ød _s (seal)	S	H	H ₁	d ₂	d ₃	B	Material	Code
	Min.	Max.									
VA 275	265	290	247	15	25	14,3	d _a + 10	d _a + 45	20,0 ±4,8	FKM	08.0811.0243
VA 275	265	290	247	15	25	14,3	d _a + 10	d _a + 45	20,0 ±4,9	NBR	08.0801.0220
VA 300	290	310	270	15	25	14,3	d _a + 10	d _a + 45	20,0 ±4,10	NBR	08.0801.0225
VA 300	290	310	270	15	25	14,3	d _a + 10	d _a + 45	20,0 ±4,11	FKM	08.0811.3000
VA 325	310	335	292	15	25	14,3	d _a + 10	d _a + 45	20,0 ±4,12	NBR	08.0801.0226
VA 325	310	335	292	15	25	14,3	d _a + 10	d _a + 45	20,0 ±4,13	FKM	08.0811.0325
VA 325	310	335	292	15	25	14,3	d _a + 10	d _a + 45	20,0 ±4,14	NBR	08.0801.0325
VA 350	335	365	315	15	25	14,3	d _a + 10	d _a + 45	20,0 ±4,15	EPDM	08.0821.0350
VA 350	335	365	315	15	25	14,3	d _a + 10	d _a + 45	20,0 ±4,16	FKM	08.0811.0231
VA 350	335	365	315	15	25	14,3	d _a + 10	d _a + 45	20,0 ±4,17	NBR	08.0801.0230
VA 375	365	390	337	15	25	14,3	d _a + 10	d _a + 45	20,0 ±4,18	NBR	08.0801.0001
VA 375	365	390	337	15	25	14,3	d _a + 10	d _a + 45	20,0 ±4,19	FKM	08.0811.0375
VA 400	390	430	360	15	25	14,3	d _a + 10	d _a + 45	20,0 ±4,20	FKM	08.0811.0400
VA 400	390	430	360	15	25	14,3	d _a + 10	d _a + 45	20,0 ±4,21	NBR	08.0801.0235
VA 450	430	480	405	15	25	14,3	d _a + 10	d _a + 45	20,0 ±4,22	EPDM	08.0821.4500
VA 450	430	480	405	15	25	14,3	d _a + 10	d _a + 45	20,0 ±4,23	FKM	08.0811.4500
VA 450	430	480	405	15	25	14,3	d _a + 10	d _a + 45	20,0 ±4,24	NBR	08.0801.0240
VA 500	480	530	450	15	25	14,3	d _a + 10	d _a + 45	20,0 ±4,25	NBR	08.0801.3221
VA 500	480	530	450	15	25	14,3	d _a + 10	d _a + 45	20,0 ±4,26	EPDM	08.0821.0500
VA 500	480	530	450	15	25	14,3	d _a + 10	d _a + 45	20,0 ±4,27	FKM	08.0811.0500
VA 500	480	530	450	15	25	14,3	d _a + 10	d _a + 45	20,0 ±4,28	NBR FDA	08.0804.0500
VA 550	530	580	495	15	25	14,3	d _a + 10	d _a + 45	20,0 ±4,29	FKM	08.0811.0550
VA 550	530	580	495	15	25	14,3	d _a + 10	d _a + 45	20,0 ±4,30	NBR	08.0801.5182
VA 550	530	580	495	15	25	14,3	d _a + 10	d _a + 45	20,0 ±4,31	NBR	08.0801.5500
VA 600	580	630	540	15	25	14,3	d _a + 10	d _a + 45	20,0 ±4,32	FKM	08.0811.0600
VA 600	580	630	540	15	25	14,3	d _a + 10	d _a + 45	20,0 ±4,33	NBR	08.0801.3254
VA 650	630	665	600	15	25	14,3	d _a + 10	d _a + 45	20,0 ±4,34	NBR	08.0801.3214
VA 650	630	665	600	15	25	14,3	d _a + 10	d _a + 45	20,0 ±4,35	FKM	08.0811.0650
VA 700	665	705	630	15	25	14,3	d _a + 10	d _a + 45	20,0 ±4,36	FKM	08.0811.0700
VA 700	665	705	630	15	25	14,3	d _a + 10	d _a + 45	20,0 ±4,37	NBR	08.0801.2215
VA 725	705	745	670	15	25	14,3	d _a + 10	d _a + 45	20,0 ±4,38	FKM	08.0811.0725
VA 725	705	745	670	15	25	14,3	d _a + 10	d _a + 45	20,0 ±4,39	NBR	08.0801.3215
VA 750	745	785	705	15	25	14,3	d _a + 10	d _a + 45	20,0 ±4,40	FKM	08.0811.0075
VA 750	745	785	705	15	25	14,3	d _a + 10	d _a + 45	20,0 ±4,41	NBR	08.0801.2195
VA 750	745	785	705	15	25	14,3	d _a + 10	d _a + 45	20,0 ±4,42	MVQ	08.0831.0750
VA 800	785	830	745	15	25	14,3	d _a + 10	d _a + 45	20,0 ±4,43	NBR	08.0801.9845
VA 800	785	830	745	15	25	14,3	d _a + 10	d _a + 45	20,0 ±4,44	NBR	08.0801.0800
VA 850	830	875	785	15	25	14,3	d _a + 10	d _a + 45	20,0 ±4,45	NBR FDA	08.0804.0850
VA 850	830	875	785	15	25	14,3	d _a + 10	d _a + 45	20,0 ±4,46	NBR	08.0801.2134
VA 900	875	920	825	15	25	14,3	d _a + 10	d _a + 45	20,0 ±4,47	FKM	08.0811.9000
VA 900	875	920	825	15	25	14,3	d _a + 10	d _a + 45	20,0 ±4,48	NBR	08.0801.9875
VA 950	920	965	865	15	25	14,3	d _a + 10	d _a + 45	20,0 ±4,49	NBR	08.0801.9841
VA 1000	965	1015	910	15	25	14,3	d _a + 10	d _a + 45	20,0 ±4,50	NBR	08.0801.8888
VA 1000	965	1015	910	15	25	14,3	d _a + 10	d _a + 45	20,0 ±4,51	FKM	08.0811.8888
VA 1050	1015	1065	955	15	25	14,3	d _a + 10	d _a + 45	20,0 ±4,52	NBR	08.0801.1050
VA 1100	1065	1115	1000	15	25	14,3	d _a + 10	d _a + 45	20,0 ±4,53	NBR	08.0801.1100

Type	Ød _a (shaft)		Ød _i (seal)	S	H	H ₁	d ₂	d ₃	B	Material	Code
	Min.	Max.									
VA 1150	1115	1165	1045	15	25	14,3	d _a + 10	d _a + 45	20,0 ±4,54	NBR	08.0801.1150
VA 1200	1165	1215	1090	15	25	14,3	d _a + 10	d _a + 45	20,0 ±4,55	FKM	08.0811.0012
VA 1200	1165	1215	1090	15	25	14,3	d _a + 10	d _a + 45	20,0 ±4,56	NBR	08.0801.1201
VA 1250	1215	1270	1135	15	25	14,3	d _a + 10	d _a + 45	20,0 ±4,57	NBR	08.0801.1250
VA 1250	1215	1270	1135	15	25	14,3	d _a + 10	d _a + 45	20,0 ±4,58	FKM	08.0811.1250
VA 1300	1270	1320	1180	15	25	14,3	d _a + 10	d _a + 45	20,0 ±4,59	FKM	08.0811.1300
VA 1300	1270	1320	1180	15	25	14,3	d _a + 10	d _a + 45	20,0 ±4,60	NBR	08.0801.1300
VA 1350	1320	1370	1225	15	25	14,3	d _a + 10	d _a + 45	20,0 ±4,61	NBR	08.0801.1350
VA 1400	1370	1420	1270	15	25	14,3	d _a + 10	d _a + 45	20,0 ±4,62	NBR	08.0801.1400
VA 1450	1420	1470	1315	15	25	14,3	d _a + 10	d _a + 45	20,0 ±4,63	NBR	08.0801.1450
VA 1450	1420	1470	1315	15	25	14,3	d _a + 10	d _a + 45	20,0 ±4,64	FKM	08.0811.1450
VA 1500	1470	1520	1360	15	25	14,3	d _a + 10	d _a + 45	20,0 ±4,65	NBR	08.0801.1500
VA 1550	1520	1570	1405	15	25	14,3	d _a + 10	d _a + 45	20,0 ±4,66	NBR	08.0801.1550
VA 1600	1570	1620	1450	15	25	14,3	d _a + 10	d _a + 45	20,0 ±4,67	NBR	08.0801.1600
VA 1650	1620	1670	1495	15	25	14,3	d _a + 10	d _a + 45	20,0 ±4,68	NBR	08.0801.1650
VA 1700	1670	1720	1540	15	25	14,3	d _a + 10	d _a + 45	20,0 ±4,69	NBR	08.0801.1700
VA 1750	1720	1770	1585	15	25	14,3	d _a + 10	d _a + 45	20,0 ±4,70	NBR	08.0801.1750
VA 1800	1770	1820	1630	15	25	14,3	d _a + 10	d _a + 45	20,0 ±4,71	NBR	08.0801.1800
VA 1850	1820	1870	1675	15	25	14,3	d _a + 10	d _a + 45	20,0 ±4,72	NBR	08.0801.1850
VA 1900	1870	1920	1720	15	25	14,3	d _a + 10	d _a + 45	20,0 ±4,73	NBR	08.0801.1900
VA 1950	1920	1970	1765	15	25	14,3	d _a + 10	d _a + 45	20,0 ±4,74	NBR	08.0801.1950
VA 2000	1970	2020	1810	15	25	14,3	d _a + 10	d _a + 45	20,0 ±4,75	NBR	08.0801.2000

✓VS

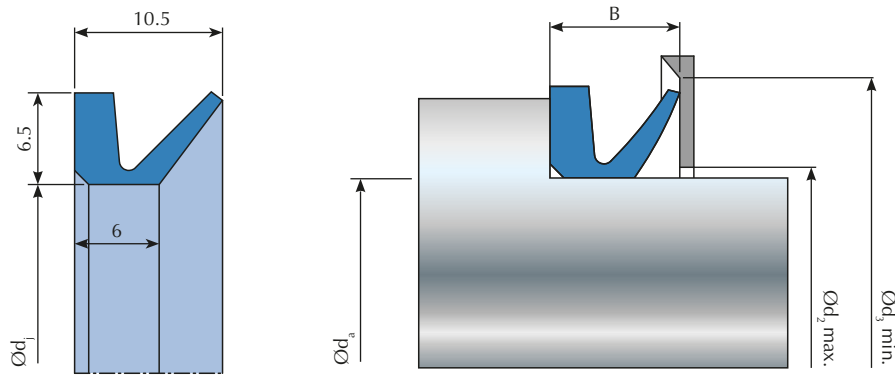


Type	Ød _a (shaft)		Ød _j (seal)	S	H	H1	d ₂	d ₃	B	Material	Code
	Min.	Max.									
VS 5	4,5	5,5	4	2	5,2	3,9	d _a + 1	d _a + 6	4,5 ±0,4	FKM	08.0813.0056
VS 5	4,5	5,5	4	2	5,2	3,9	d _a + 1	d _a + 6	4,5 ±0,4	NBR	08.0803.0005
VS 6	5,5	6,5	5	2	5,2	3,9	d _a + 1	d _a + 6	4,5 ±0,4	FKM	08.0813.0057
VS 6	5,5	6,5	5	2	5,2	3,9	d _a + 1	d _a + 6	4,5 ±0,4	NBR	08.0803.0010
VS 7	6,5	8	6	2	5,2	3,9	d _a + 1	d _a + 6	4,5 ±0,4	FKM	08.0813.0054
VS 7	6,5	8	6	2	5,2	3,9	d _a + 1	d _a + 6	4,5 ±0,4	NBR	08.0803.0015
VS 8	8	9,5	7	2	5,2	3,9	d _a + 1	d _a + 6	4,5 ±0,4	EPDM	08.0823.0008
VS 8	8	9,5	7	2	5,2	3,9	d _a + 1	d _a + 6	4,5 ±0,4	EPDM FDA	08.0824.0008
VS 8	8	9,5	7	2	5,2	3,9	d _a + 1	d _a + 6	4,5 ±0,4	FKM	08.0813.0068
VS 8	8	9,5	7	2	5,2	3,9	d _a + 1	d _a + 6	4,5 ±0,4	NBR	08.0803.0020
VS 10	9,5	11	9	3	7,7	5,6	d _a + 2	d _a + 9	6,7 ±0,6	FKM	08.0813.0025
VS 10	9,5	11	9	3	7,7	5,6	d _a + 2	d _a + 9	6,7 ±0,6	NBR	08.0803.0030
VS 12	11,5	13,5	10,5	3	7,7	5,6	d _a + 2	d _a + 9	6,7 ±0,6	FKM	08.0813.0012
VS 12	11,5	13,5	10,5	3	7,7	5,6	d _a + 2	d _a + 9	6,7 ±0,6	MVQ	08.0833.1200
VS 12	11,5	13,5	10,5	3	7,7	5,6	d _a + 2	d _a + 9	6,7 ±0,6	NBR	08.0803.0035
VS 12	11,5	13,5	10,5	3	7,7	5,6	d _a + 2	d _a + 9	6,7 ±0,6	NBR FDA	08.0809.0041
VS 14	13,5	15,5	12,5	3	7,7	5,6	d _a + 2	d _a + 9	6,7 ±0,6	FKM	08.0813.0014
VS 14	13,5	15,5	12,5	3	7,7	5,6	d _a + 2	d _a + 9	6,7 ±0,6	NBR	08.0803.0040
VS 16	15,5	17,5	14	3	7,7	5,6	d _a + 2	d _a + 9	6,7 ±0,6	FKM	08.0813.0016
VS 16	15,5	17,5	14	3	7,7	5,6	d _a + 2	d _a + 9	6,7 ±0,6	NBR	08.0803.0045
VS 18	17,5	19	16	3	7,7	5,6	d _a + 2	d _a + 9	6,7 ±0,6	FKM	08.0813.0018
VS 18	17,5	19	16	3	7,7	5,6	d _a + 2	d _a + 9	6,7 ±0,6	NBR	08.0803.0050
VS 20	19	21	18	4	10,5	7,9	d _a + 2	d _a + 12	9,0 ±0,8	FKM	08.0813.0146
VS 20	19	21	18	4	10,5	7,9	d _a + 2	d _a + 12	9,0 ±0,8	NBR	08.0803.0055
VS 22	21	24	20	4	10,5	7,9	d _a + 2	d _a + 12	9,0 ±0,8	FKM	08.0813.0001
VS 22	21	24	20	4	10,5	7,9	d _a + 2	d _a + 12	9,0 ±0,8	NBR	08.0803.0060
VS 25	24	27	22	4	10,5	7,9	d _a + 2	d _a + 12	9,0 ±0,8	FKM	08.0813.1215
VS 25	24	27	22	4	10,5	7,9	d _a + 2	d _a + 12	9,0 ±0,8	NBR	08.0803.0065
VS 25	24	27	22	4	10,5	7,9	d _a + 2	d _a + 12	9,0 ±0,8	NBR FDA	08.0803.0009
VS 28	27	29	25	4	10,5	7,9	d _a + 3	d _a + 12	9,0 ±0,8	EPDM	08.0823.0028
VS 28	27	29	25	4	10,5	7,9	d _a + 3	d _a + 12	9,0 ±0,8	FKM	08.0813.3218
VS 28	27	29	25	4	10,5	7,9	d _a + 3	d _a + 12	9,0 ±0,8	NBR	08.0803.0070
VS 30	29	31	27	4	10,5	7,9	d _a + 3	d _a + 12	9,0 ±0,8	EPDM	08.0823.0030

Type	Ød _a (shaft)		Ød _j (seal)	S	H	H1	d ₂	d ₃	B	Material	Code
	Min.	Max.									
VS 30	29	31	27	4	10,5	7,9	d _a + 3	d _a + 12	9,0 ±0,8	FKM	08.0813.5162
VS 30	29	31	27	4	10,5	7,9	d _a + 3	d _a + 12	9,0 ±0,8	NBR	08.0803.0075
VS 30	29	31	27	4	10,5	7,9	d _a + 3	d _a + 12	9,0 ±0,8	NBR FDA	08.1803.0030
VS 32	31	33	29	4	10,5	7,9	d _a + 3	d _a + 12	9,0 ±0,8	FKM	08.0813.1651
VS 32	31	33	29	4	10,5	7,9	d _a + 3	d _a + 12	9,0 ±0,8	NBR	08.0803.0080
VS 35	33	36	31	4	10,5	7,9	d _a + 3	d _a + 12	9,0 ±0,8	EPDM	08.0823.0035
VS 35	33	36	31	4	10,5	7,9	d _a + 3	d _a + 12	9,0 ±0,8	FKM	08.0813.0086
VS 35	33	36	31	4	10,5	7,9	d _a + 3	d _a + 12	9,0 ±0,8	NBR	08.0803.0085
VS 35	33	36	31	4	10,5	7,9	d _a + 3	d _a + 12	9,0 ±0,8	NBR FDA	08.0803.3500
VS 38	36	38	34	4	10,5	7,9	d _a + 3	d _a + 12	9,0 ±0,8	FKM	08.0813.3514
VS 38	36	38	34	4	10,5	7,9	d _a + 3	d _a + 12	9,0 ±0,8	NBR	08.0803.0090
VS 40	38	43	36	5	13	9,5	d _a + 3	d _a + 15	11,0 ±1,0	FKM	08.0813.0088
VS 40	38	43	36	5	13	9,5	d _a + 3	d _a + 15	11,0 ±1,0	NBR	08.0803.0095
VS 40	38	43	36	5	13	9,5	d _a + 3	d _a + 15	11,0 ±1,0	NBR FDA	08.0809.0040
VS 45	43	48	40	5	13	9,5	d _a + 3	d _a + 15	11,0 ±1,0	EPDM	08.0823.4526
VS 45	43	48	40	5	13	9,5	d _a + 3	d _a + 15	11,0 ±1,0	FKM	08.0813.0101
VS 45	43	48	40	5	13	9,5	d _a + 3	d _a + 15	11,0 ±1,0	MVQ	08.0833.4500
VS 45	43	48	40	5	13	9,5	d _a + 3	d _a + 15	11,0 ±1,0	NBR	08.0803.0100
VS 50	48	53	45	5	13	9,5	d _a + 3	d _a + 15	11,0 ±1,0	FKM	08.0813.0106
VS 50	48	53	45	5	13	9,5	d _a + 3	d _a + 15	11,0 ±1,0	NBR	08.0803.0105
VS 50	48	53	45	5	13	9,5	d _a + 3	d _a + 15	11,0 ±1,0	NBR	08.0803.0007
VS 55	53	58	49	5	13	9,5	d _a + 3	d _a + 15	11,0 ±1,0	FKM	08.0813.1912
VS 55	53	58	49	5	13	9,5	d _a + 3	d _a + 15	11,0 ±1,0	NBR	08.0803.0110
VS 55	53	58	49	5	13	9,5	d _a + 3	d _a + 15	11,0 ±1,0	NBR FDA	08.0809.0055
VS 60	58	63	54	5	13	9,5	d _a + 3	d _a + 15	11,0 ±1,0	EPDM	08.0823.0060
VS 60	58	63	54	5	13	9,5	d _a + 3	d _a + 15	11,0 ±1,0	FKM	08.0813.1461
VS 60	58	63	54	5	13	9,5	d _a + 3	d _a + 15	11,0 ±1,0	NBR	08.0803.0115
VS 60	58	63	54	5	13	9,5	d _a + 3	d _a + 15	11,0 ±1,0	NBR FDA	08.0809.0060
VS 65	63	68	58	5	13	9,5	d _a + 3	d _a + 15	11,0 ±1,0	FKM	08.0813.0125
VS 65	63	68	58	5	13	9,5	d _a + 3	d _a + 15	11,0 ±1,0	NBR	08.0803.0120
VS 70	68	73	63	6	15,5	11,3	d _a + 4	d _a + 18	13,5 ±1,2	EPDM	08.0823.0070
VS 70	68	73	63	6	15,5	11,3	d _a + 4	d _a + 18	13,5 ±1,2	FKM	08.0813.9822
VS 70	68	73	63	6	15,5	11,3	d _a + 4	d _a + 18	13,5 ±1,2	NBR	08.0803.0130
VS 70	68	73	63	6	15,5	11,3	d _a + 4	d _a + 18	13,5 ±1,2	NBR FDA	08.0809.0070
VS 75	73	78	67	6	15,5	11,3	d _a + 4	d _a + 18	13,5 ±1,2	EPDM	08.0823.0075
VS 75	73	78	67	6	15,5	11,3	d _a + 4	d _a + 18	13,5 ±1,2	FKM	08.0813.9899
VS 75	73	78	67	6	15,5	11,3	d _a + 4	d _a + 18	13,5 ±1,2	NBR	08.0803.0135
VS 80	78	83	72	6	15,5	11,3	d _a + 4	d _a + 18	13,5 ±1,2	FKM	08.0813.0140
VS 80	78	83	72	6	15,5	11,3	d _a + 4	d _a + 18	13,5 ±1,2	NBR	08.0803.0145
VS 80	78	83	72	6	15,5	11,3	d _a + 4	d _a + 18	13,5 ±1,2	NBR FDA	08.0803.0006
VS 85	83	88	76	6	15,5	11,3	d _a + 4	d _a + 18	13,5 ±1,2	FKM	08.0813.0151
VS 85	83	88	76	6	15,5	11,3	d _a + 4	d _a + 18	13,5 ±1,2	NBR	08.0803.0150
VS 90	88	98	85	6	15,5	11,3	d _a + 4	d _a + 18	13,5 ±1,2	FKM	08.0813.1321
VS 90	88	98	85	6	15,5	11,3	d _a + 4	d _a + 18	13,5 ±1,2	NBR	08.0803.0155
VS 90	88	98	85	6	15,5	11,3	d _a + 4	d _a + 18	13,5 ±1,2	NBR FDA	08.0809.0090
VS 95	93	98	85	6	15,5	11,3	d _a + 4	d _a + 18	13,5 ±1,2	FKM	08.0813.3215

Type	Ød _a (shaft)		Ød _j (seal)	S	H	H1	d ₂	d ₃	B	Material	Code
	Min.	Max.									
VS 95	93	98	85	6	15,5	11,3	d _a + 4	d _a + 18	13,5 ±1,2	NBR	08.0803.0157
VS 100	98	105	90	6	15,5	11,3	d _a + 4	d _a + 18	13,5 ±1,2	FKM	08.0813.9895
VS 100	98	105	90	6	15,5	11,3	d _a + 4	d _a + 18	13,5 ±1,2	NBR	08.0803.0160
VS 100	98	105	90	6	15,5	11,3	d _a + 4	d _a + 18	13,5 ±1,2	NBR FDA	08.0809.0100
VS 110	105	115	99	7	18	13,1	d _a + 4	d _a + 21	15,5 ±1,5	EPDM	08.0823.0110
VS 110	105	115	99	7	18	13,1	d _a + 4	d _a + 21	15,5 ±1,5	FKM	08.0813.3228
VS 110	105	115	99	7	18	13,1	d _a + 4	d _a + 21	15,5 ±1,5	NBR	08.0803.0165
VS 110	105	115	99	7	18	13,1	d _a + 4	d _a + 21	15,5 ±1,5	NBR FDA	08.0803.0008
VS 120	115	125	108	7	18	13,1	d _a + 4	d _a + 21	15,5 ±1,5	EPDM	08.0823.0120
VS 120	115	125	108	7	18	13,1	d _a + 4	d _a + 21	15,5 ±1,5	FKM	08.0813.3217
VS 120	115	125	108	7	18	13,1	d _a + 4	d _a + 21	15,5 ±1,5	FKM FDA	08.0814.0120
VS 120	115	125	108	7	18	13,1	d _a + 4	d _a + 21	15,5 ±1,5	NBR	08.0803.0170
VS 120	115	125	108	7	18	13,1	d _a + 4	d _a + 21	15,5 ±1,5	NBR FDA	08.0809.0120
VS 130	125	135	117	7	18	13,1	d _a + 4	d _a + 21	15,5 ±1,5	FKM	08.0813.9871
VS 130	125	135	117	7	18	13,1	d _a + 4	d _a + 21	15,5 ±1,5	NBR	08.0803.0175
VS 130	125	135	117	7	18	13,1	d _a + 4	d _a + 21	15,5 ±1,5	NBR FDA	08.0809.0130
VS 140	135	145	126	7	18	13,1	d _a + 4	d _a + 21	15,5 ±1,5	FKM	08.0813.1985
VS 140	135	145	126	7	18	13,1	d _a + 4	d _a + 21	15,5 ±1,5	NBR	08.0803.0180
VS 150	145	155	135	7	18	13,1	d _a + 4	d _a + 21	15,5 ±1,5	FKM	08.0813.0186
VS 150	145	155	135	7	18	13,1	d _a + 4	d _a + 21	15,5 ±1,5	NBR	08.0803.0185
VS 150	145	155	135	7	18	13,1	d _a + 4	d _a + 21	15,5 ±1,5	NBR FDA	08.0809.0150
VS 160	155	165	144	8	20,5	15	d _a + 5	d _a + 24	18,0 ±1,8	EPDM	08.0823.0160
VS 160	155	165	144	8	20,5	15	d _a + 5	d _a + 24	18,0 ±1,8	FKM	08.0813.0187
VS 160	155	165	144	8	20,5	15	d _a + 5	d _a + 24	18,0 ±1,8	NBR	08.0803.0190
VS 160	155	165	144	8	20,5	15	d _a + 5	d _a + 24	18,0 ±1,8	NBR FDA	08.0809.0160
VS 170	165	175	153	8	20,5	15	d _a + 5	d _a + 24	18,0 ±1,8	FKM	08.0813.0562
VS 170	165	175	153	8	20,5	15	d _a + 5	d _a + 24	18,0 ±1,8	NBR	08.0803.0195
VS 180	175	185	162	8	20,5	15	d _a + 5	d _a + 24	18,0 ±1,8	EPDM	08.0823.0180
VS 180	175	185	162	8	20,5	15	d _a + 5	d _a + 24	18,0 ±1,8	FKM	08.0813.0181
VS 180	175	185	162	8	20,5	15	d _a + 5	d _a + 24	18,0 ±1,8	NBR	08.0803.0200
VS 190	185	195	171	8	20,5	15	d _a + 5	d _a + 24	18,0 ±1,8	FKM	08.0813.1900
VS 190	185	195	171	8	20,5	15	d _a + 5	d _a + 24	18,0 ±1,8	NBR	08.0803.0205
VS 199	195	210	180	8	20,5	15	d _a + 5	d _a + 24	18,0 ±1,8	FKM	08.0813.0199
VS 199	195	210	180	8	20,5	15	d _a + 5	d _a + 24	18,0 ±1,8	NBR	08.0803.0210

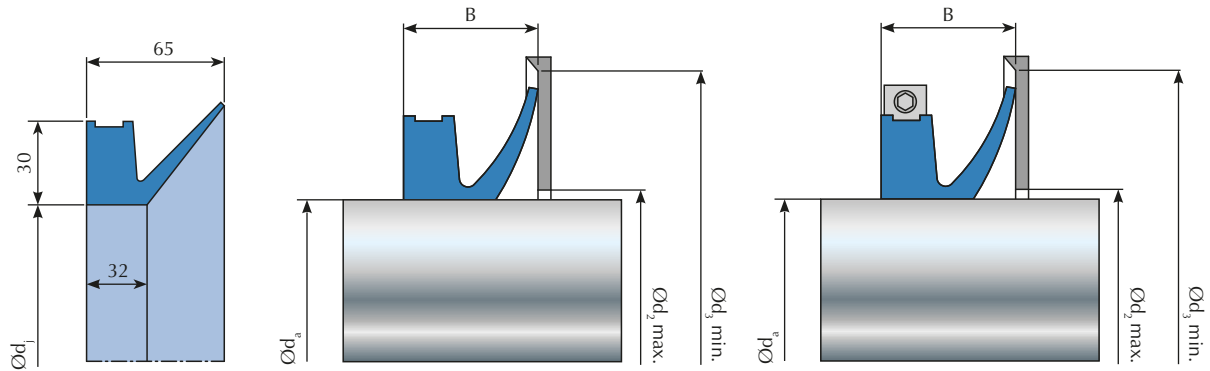
✓ VL



Type	Ød _a (shaft)		Ød _j (seal)	Material	Code
	Min.	Max.			
VL 110	105	115	99	FKM	08.0812.0110
VL 120	115	125	108	NBR	08.0802.0120
VL 130	125	135	117	NBR	08.0802.0130
VL 130	125	135	117	FKM	08.0812.0130
VL 140	135	145	126	NBR	08.0802.0140
VL 140	135	145	126	FKM	08.0812.1401
VL 150	145	155	135	FKM	08.0812.0150
VL 150	145	155	135	NBR	08.0802.0005
VL 150	145	155	135	NBR FDA	08.0802.0050
VL 160	155	165	144	NBR	08.0802.0007
VL 160	155	165	144	FKM	08.0812.0160
VL 170	165	175	153	FKM	08.0812.0720
VL 170	165	175	153	NBR	08.0802.0170
VL 180	175	185	162	FKM	08.0812.0180
VL 180	175	185	162	NBR	08.0802.1963
VL 190	185	195	171	FKM	08.0812.0190
VL 190	185	195	171	NBR	08.0802.0008
VL 190	185	195	171	NBR FDA	08.0802.0090
VL 200	195	210	182	FKM	08.0812.0200
VL 200	195	210	182	NBR	08.0802.0141
VL 220	210	233	198	FKM	08.0812.0220
VL 220	210	233	198	NBR	08.0802.0220
VL 250	233	260	225	FKM	08.0812.0250
VL 250	233	260	225	NBR	08.0802.0025
VL 275	260	285	247	NBR	08.0802.0010
VL 275	260	285	247	FKM	08.0812.0275
VL 300	285	310	270	NBR	08.0802.0300
VL 300	285	310	270	FKM	08.0812.0300
VL 325	310	335	292	NBR	08.0802.0325
VL 325	310	335	292	FKM	08.0812.0325
VL 350	335	365	315	FKM	08.0812.0350
VL 350	335	365	315	NBR	08.0802.0011
VL 375	365	385	337	FKM	08.0812.0375
VL 375	365	385	337	NBR	08.0802.0012

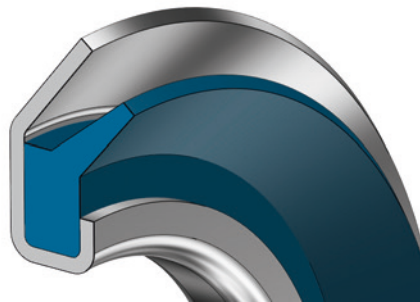
Type	Ød _a (shaft)		Ød _j (seal)	Material	Code
	Min.	Max.			
VL 400	385	410	360	FKM	08.0812.0400
VL 400	385	410	360	NBR	08.0802.0036
VL 425	410	440	382	NBR	08.0802.0425
VL 450	440	475	405	FKM	08.0812.0450
VL 450	440	475	405	NBR	08.0802.0015
VL 500	475	510	450	FKM	08.0812.0500
VL 500	475	510	450	NBR	08.0802.3100
VL 550	540	585	495	FKM	08.0812.0550
VL 550	540	585	495	NBR	08.0802.0550
VL 600	585	625	540	NBR	08.0802.0020
VL 600	585	625	540	NBR FDA	08.0802.0600
VL 600	585	625	540	FKM	08.0812.0600
VL 650	625	710	600	NBR	08.0802.0650
VL 650	625	710	600	FKM	08.0812.0650
VL 700	675	710	630	NBR	08.0802.0700
VL 725	710	740	670	NBR	08.0802.0725
VL 750	740	775	705	FKM	08.0812.0750
VL 750	740	775	705	NBR	08.0802.7501
VL 800	775	825	745	NBR	08.0802.0800
VL 850	825	825	785	FKM	08.0812.0850
VL 850	825	875	785	NBR	08.0802.0850

✓ VE

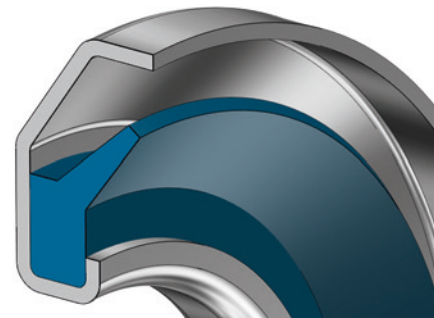


Type	Ød _a (shaft)		Ød ₁ (seal)	Material	Code
	Min.	Max.			
VL 375	365	385	337	FKM	08.0812.0375
VL 375	365	385	337	NBR	08.0802.0012
VL 400	385	410	360	FKM	08.0812.0400
VL 400	385	410	360	NBR	08.0802.0036
VL 425	410	440	382	NBR	08.0802.0425
VL 450	440	475	405	FKM	08.0812.0450
VL 450	440	475	405	NBR	08.0802.0015
VL 500	475	510	450	FKM	08.0812.0500
VL 500	475	510	450	NBR	08.0802.3100
VL 550	540	585	495	FKM	08.0812.0550
VL 550	540	585	495	NBR	08.0802.0550
VL 600	585	625	540	NBR	08.0802.0020
VL 600	585	625	540	NBR FDA	08.0802.0600
VL 600	585	625	540	FKM	08.0812.0600
VL 650	625	710	600	NBR	08.0802.0650
VL 650	625	710	600	FKM	08.0812.0650
VL 700	675	710	630	NBR	08.0802.0700
VL 725	710	740	670	NBR	08.0802.0725
VL 750	740	775	705	FKM	08.0812.0750
VL 750	740	775	705	NBR	08.0802.7501
VL 800	775	825	745	NBR	08.0802.0800
VL 850	825	825	785	FKM	08.0812.0850
VL 850	825	875	785	NBR	08.0802.0850

Axial face seals



✓ RB



✓ 9RB

1) Description

RB and 9RB axial face seals are combinations of a metal case and an encapsulated rubber lip. These anti-pollution seals are mainly used to protect a system from dust, dirt, water and oil splashes ingression.

2) Advantages

- Two in one compact seal
- Rubber lip and metal case can be used separately
- Protective metal case
- Efficient solution for anti-pollution against abrasive particles
- Compact seal
- Easy fitting, easy replacement
- Low contact pressure on counterface thanks to the flexible lip, preventing lip and counterface from abrasion and allowing reduced power losses.

3) Limitations

- cannot be used in applications with pressure differentials
- Maximum allowed speed: 20 m/s
- Recommended counterface roughness: Ra 1 to 5 µm

4) Materials

RB and 9RB-Seals are available in several materials:

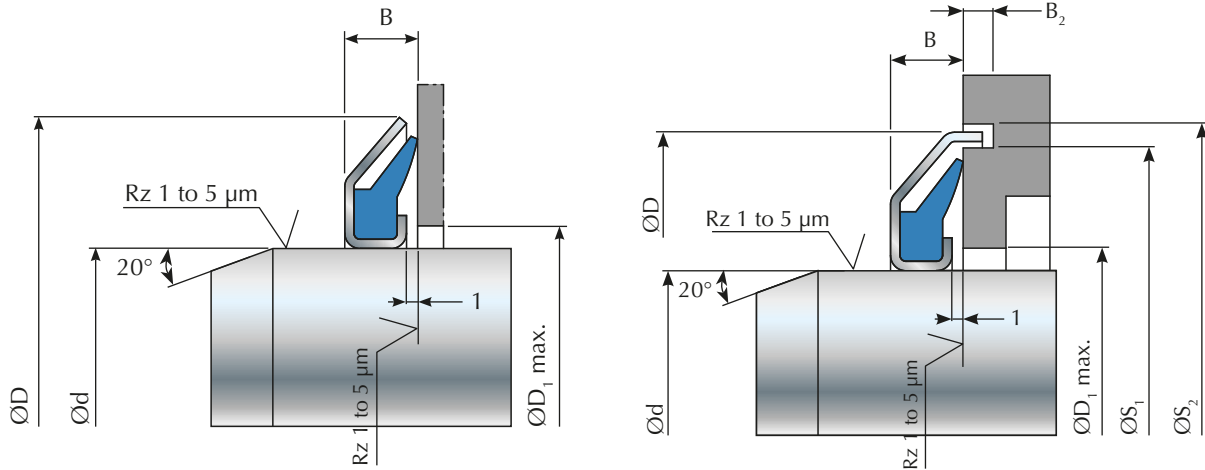
- Rubber lip:
 - NBR: Standard material. Techné mainly choses ozon resistant NBR compounds
 - FKM: For high temperature applications and contacts with chemicals
- Metal case
 - Carbon steel with Cr3 protection layer
 - Stainless steel AISI 304

5) Applications

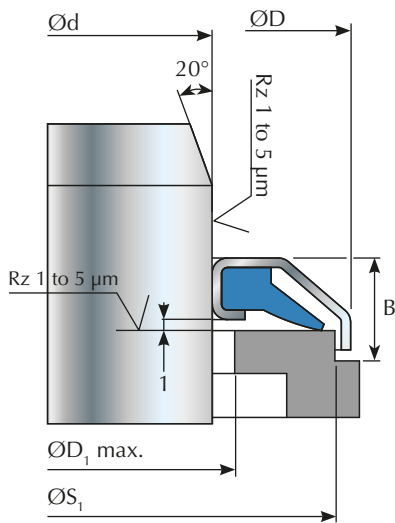
- Gearboxes
- Pumps
- Electrical motors, home appliances
- Heavy duty, construction machines

6) Fitting

- For fitting on horizontal shaft, RB and 9RB profiles can be used.



- For fitting on vertical shaft, 9RB profile will be preferred



7) Dimensional list

Ød	ØD	B	D ₁	ØS ₁	ØS ₂	B ₂	Type	Code
10	24	3,5	15				RB	06.0001.0010
11	26	3,5	17				RB	06.0001.0011
12	26	3,5	17				RB	06.0001.0012
14	30	4	21				RB	06.0001.0014
15	32	4,00	21	29	34	3	9RB	06.0002.0015
15	30	4	21				RB	06.0001.0015
16	32	4	23				RB	06.0001.0016
17	34	4,00	23	31	36	3	9RB	06.0002.0017
17	32	4	23				RB	06.0001.0017
18	33	4	24				RB	06.0001.0018
20	37	4,00	26	34	39	3	9RB	06.0002.0020
20	35	4	26				RB	06.0001.0020
22	40	4	28				RB	06.0001.0022
24	40	4	30				RB	06.0001.0024
25	42	4,00	31	39	44	3	9RB	06.0002.0025
25	40	4	31				RB	06.0001.0025
26	40	4	31				RB	06.0001.0026
28	45	4,00	33	42	47	3	9RB	06.0002.0028
28	43	4	32				RB	06.0001.0028
29	39	4,00	34	43	48	3	9RB	06.0002.0022
30	48	4,50	37	45	50	3	9RB	06.0002.0030
30	47	4,5	34				RB	06.0001.0030
32	49	4,5	37				RB	06.0001.0032
35	53	4,50	42	50	55	3	9RB	06.0002.0035
35	52	4,5	39				RB	06.0001.0035
38	55	4,5	42				RB	06.0001.0038
40	58	4,50	47	55	60	3	9RB	06.0002.0040
40	57	4,5	47				RB	06.0001.0040
41	57	4,5	48				RB	06.0001.0041
42	59	4,5	49				RB	06.0001.0042
45	63	4,50	52	60	65	3	9RB	06.0002.0045
45	62	4,5	52				RB	06.0001.0045
48	65	4,5	55				RB	06.0001.0048
50	72	5,50	58	68,5	74	3	9RB	06.0002.0050
50	70	5,5	58				RB	06.0001.0050
52	72	5,5	60				RB	06.0001.0052
55	77	5,50	63	73,5	79	3	9RB	06.0002.0055
55	75	5,5	63				RB	06.0001.0055
58	78	5,5	66				RB	06.0001.0058
60	82	5,50	68	78,5	84	3	9RB	06.0002.0060
60	80	5,5	68				RB	06.0001.0060
62	82	5,5	70				RB	06.0001.0062

Ød	ØD	B	D ₁	ØS ₁	ØS ₂	B ₂	Type	Code
65	87	5,50	73	83,5	89	3	9RB	06.0002.0065
65	85	5,5	73				RB	06.0001.0065
68	88	5,5	76				RB	06.0001.0068
70	92	5,50	78	88,5	94	3	9RB	06.0002.0070
70	90	5,5	78				RB	06.0001.0070
72	92	5,5	80				RB	06.0001.0072
75	97	5,50	83	93,5	99	3	9RB	06.0002.0075
75	95	5,5	83				RB	06.0001.0075
78	98	5,5	86				RB	06.0001.0078
80	102	5,50	88	98,5	104	3	9RB	06.0002.0080
80	100	5,5	88				RB	06.0001.0080
85	107	5,50	93	103,5	109	3	9RB	06.0002.0085
85	105	5,5	93				RB	06.0001.0085
90	112	5,50	98	108,5	114	3	9RB	06.0002.0090
90	110	5,5	98				RB	06.0001.0090
95	117	5,50	103	113,5	119	3	9RB	06.0002.0095
95	115	5,5	103				RB	06.0001.0095
100	122	5,50	108	118,5	124	3	9RB	06.0002.0100
100	120	5,5	108				RB	06.0001.0100
105	125	5,5	113				RB	06.0001.0105
135	159	6,5	145				RB	06.0001.0135
225	250	7,5	235				RB	06.0001.0225

Technical instructions

Introduction

Techné rotary shaft seals are designed to seal shafts and prevent the lubrication fluid to leak out. Some rotary shaft seals with anti-dust lips will also avoid dirt to get in and damage the customer device.

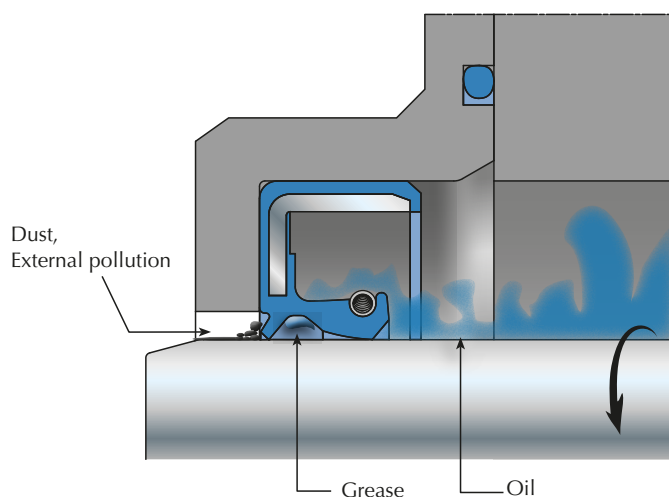
Techné rotary seals are composed of 3 main components:

- a metal case
- an active sealing lip, and usually a passive anti-dust lip
- a metal spring to help active lip to stay in contact with shaft even in case of small misalignment.

These 3 components can be selected and optimised according to application:

- rotation speed
- temperature
- pressure
- fluid to be sealed
- outer pollution.

For optimum sealing, design and manufacture of shaft and housing must follow Techné recommendations. The installation must be made according to Techné recommendations.

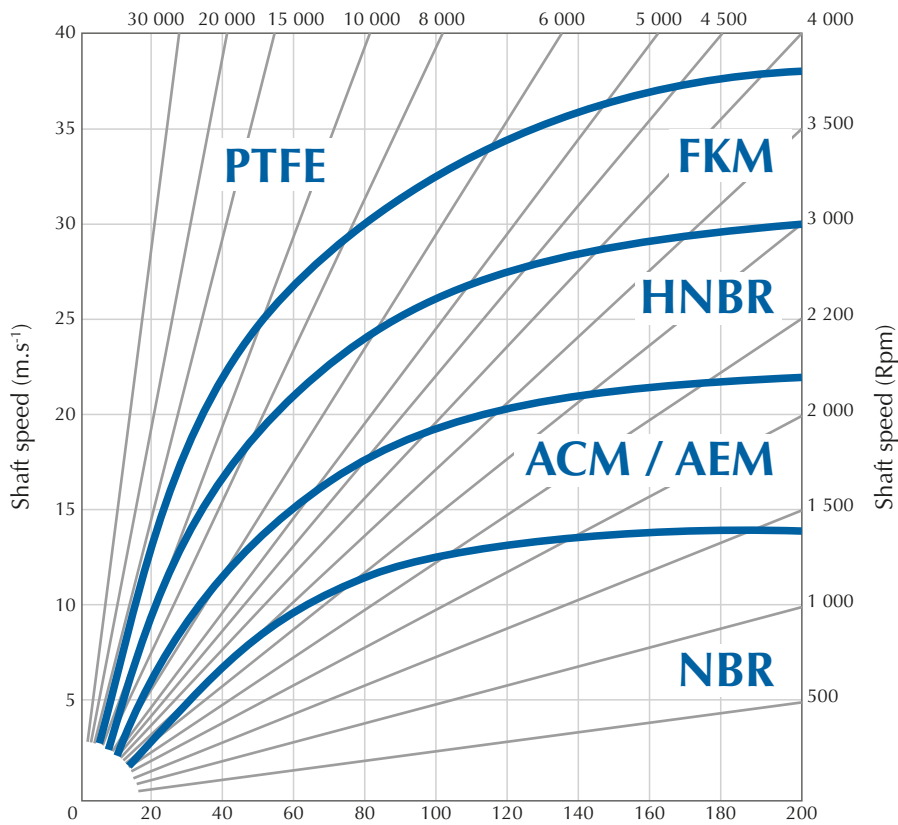


1) Working parameters

✓ Determination of material depending on shaft rotation speed

Linear speed calculation:

$$V(m.s^{-1}) = \frac{\varnothing \text{ shaft (mm)} \times \text{speed (tr/mn)} \times \pi}{60000}$$



These data are given for information only. These are suitable in standard working conditions with good lubrication and good heat removal out of the sealing area.

✓ Determination of rotary shaft seal profile for high pressure applications

Standard rotary shaft seals

Standard rotary shaft seals are designed for use without pressure. Techné usually recommends to limit the working pressure depending on shaft rotation speed.

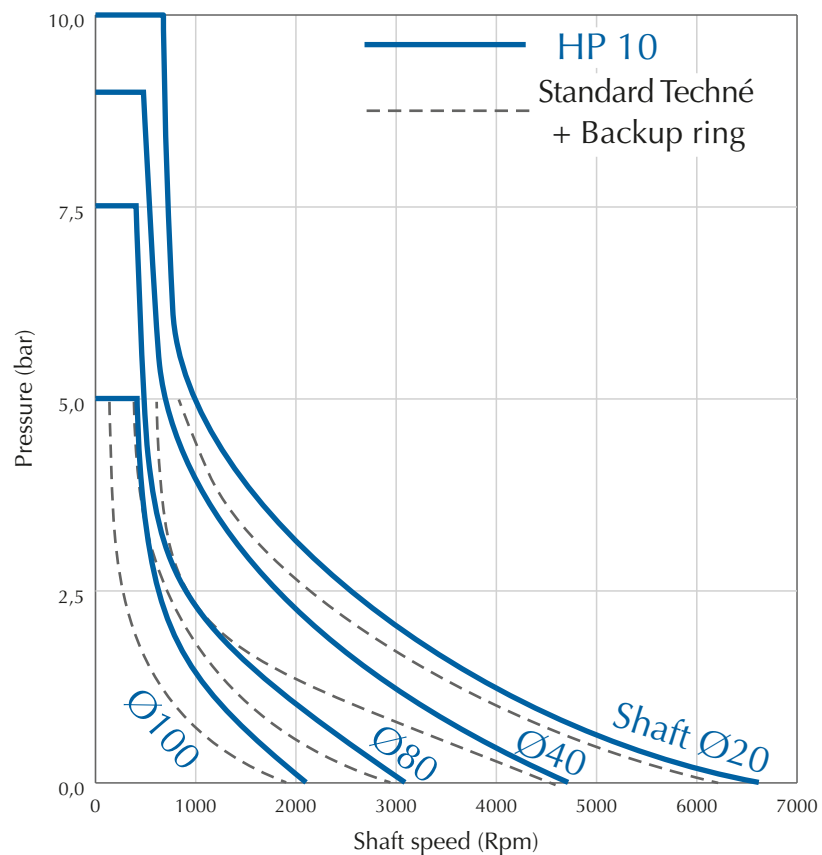
Shaft rotation speed	< 1000 rpm	< 2000 rpm	< 3000 rpm
Max. working pressure	0.50 bar	0.35 bar	0.20 bar

High pressure rotary shaft seals

High pressure rotary shaft seals are designed for use with pressure.

The graph below helps to determine the right profile of High Pressure rotary shaft seals, depending on the shaft speed and the working pressure.

For applications over 10 bars, please consult Techné engineering department.



These data are given for information only. These are suitable in standard working conditions with good lubrication and good heat removal out of the sealing area.

✓ Elevation of the sealing lip temperature depending on shaft speed and shaft diameter

Shaft diameter		25 mm		50 mm		100 mm		150 mm		200 mm	
Shaft rotation speed	Viscosity index	Good lubrication	Low lubrication	Good lubrication	Low lubrication	Good lubrication	Low lubrication	Good lubrication	Low lubrication	Good lubrication	Low lubrication
1500 rpm	SAE 20	5 °C	25 °C	5 °C	30 °C	10 °C	40 °C	10 °C	45 °C	10 °C	50 °C
	SAE 90	15 °C	40 °C	15 °C	50 °C	20 °C	60 °C	20 °C	65 °C	20 °C	70 °C
3000 rpm	SAE 20	10 °C	30 °C	15 °C	40 °C	20 °C	50 °C	20 °C	55 °C	20 °C	60 °C
	SAE 90	20 °C	45 °C	25 °C	60 °C	30 °C	70 °C	30 °C	75 °C	30 °C	80 °C
6000 rpm	SAE 20	20 °C	40 °C	30 °C	55 °C	35 °C	65 °C	40 °C	75 °C	40 °C	80 °C
	SAE 90	30 °C	55 °C	40 °C	75 °C	45 °C	85 °C	50 °C	95 °C	50 °C	100 °C

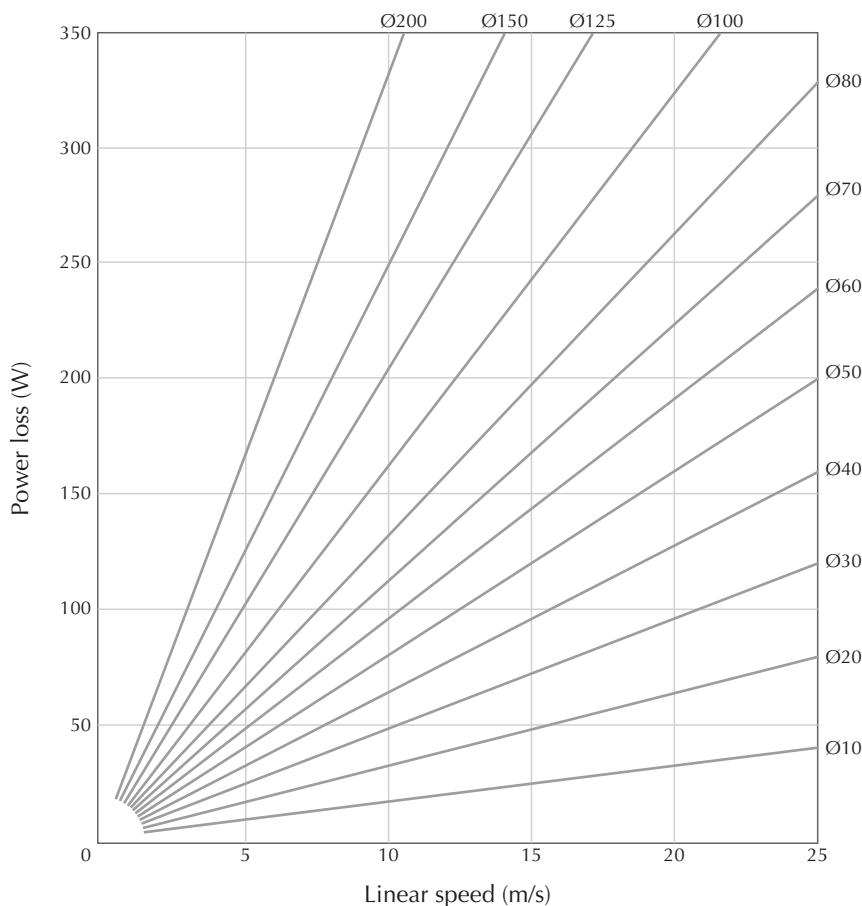
These data are given for information only. These are suitable in standard working conditions with good lubrication and good heat removal out of the sealing area.

The values given in the chart above are average values. To avoid a sudden elevation of the temperature, a good lubrication is recommended.

These data have to be considered when choosing the rubber material of an rotary shaft seal. If the working temperature reaches or overpass its maximum limits, an early degradation of the sealing lip may occur.

✓ Power loss due to sealing lip friction on shaft

The graph below shows the power loss due to sealing lip friction on shaft for an SL rotary seal. Values are given for an application with a good lubrication. If a low friction is required, PTFE lip seals are recommended. please contact Techné Technical Department for any advise.



These data are given for information only. These are suitable in standard working conditions with good lubrication and good heat removal out of the sealing area.

2) Dimensional recommendations

✓ Shaft

For optimum sealing, design and manufacture of shaft must follow Techné recommendations.

Shaft Materials

The rotary shaft is recommended to be made of mechanical construction steel such as C35 or 1.0501. A protective coating may be added on shaft surface. The recommended coatings are those deponed with PVD, CVD or anodizing processes. Chromium coatings must be avoided, as their non-even wear-out may damage the sealing lips.

For applications in contact with water or food, stainless steel must be chosen.

Other materials, more ductile than steels such as plastics or metals, such as copper, brass, zinc or aluminum light alloys are usually not recommended. However they may be used in less demanding applications with slow rotation speed and clean environment free of abrasive dirt.

For protecting the shaft , a sliding sleeve can also be mounted.

Shaft hardness

The hardness of shaft must be selected depending on application rotation speed.

Speed	Hardness
Less 4 m.s ⁻¹	45 Hrc
4 to 10 m.s ⁻¹	55 Hrc
Above 10 m.s ⁻¹	60 Hrc

If the application environment is very abrasive (for example : construction machinery working in sand particles), shaft hardness must necessarily be of minimum 60 HRC.

For avoiding an expensive shaft hardening process, a sliding sleeve may be installed.

Shaft surface roughness

The shaft surface roughness is recommended to be in accordance with the following values

$$0.2 \mu\text{m} < \text{Ra} < 0.8 \mu\text{m}$$

$$1 \mu\text{m} < \text{Rz} < 5 \mu\text{m}$$

$$\text{Rmax} < 6.3 \mu\text{m}$$

A shaft surface roughness smoother than Ra 0.2 μm would lead to a too high friction between shaft and active sealing lip, then to a lip warming up, so to a potential quick ageing and up to a burning and irremediable damaging of the active sealing lip and then to a fluid leakage.

A shaft surface roughness rougher than Ra 0.8 μm would lead to a quick abrasion and irremediable damaging of the active sealing lip and then to a fluid leakage.

Shaft tolerances

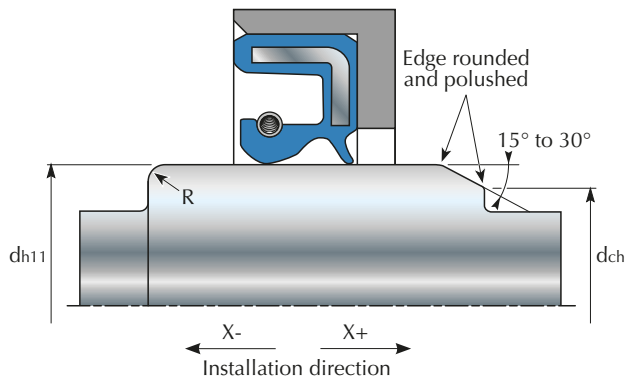
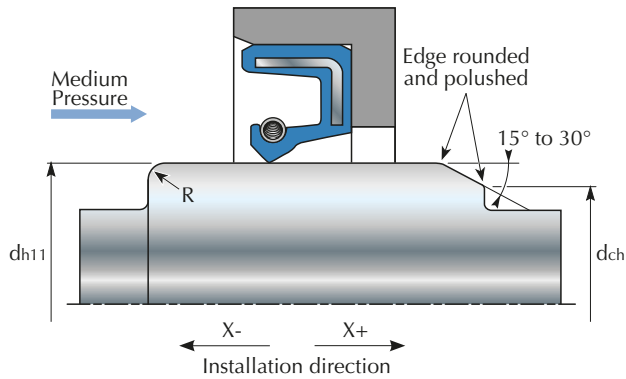
The shaft must respect the tolerances h11 according to the ISO 286-2.

\varnothing (mm)	≤ 3	3 - 6	6 - 10	10 - 18	18 - 30	30 - 50
IT (μm)	-60 / 0	-75 / 0	-90 / 0	-110 / 0	-130 / 0	-160 / 0
\varnothing (mm)	50 - 80	80 - 120	120 - 180	180 - 250	250 - 315	315 - 400
IT (μm)	-190 / 0	-220 / 0	-250 / 0	-290 / 0	-320 / 0	-360 / 0

Shaft radii or chamfers

Depending on installation direction, either X+ or X-, the shaft's end shall be constructed with a chamfer or with a radius:

- if installation in direction X+, a chamfer shall be made with angle 15° to 30° and diameter d_{ch}
- if installation in direction X-, a radius R shall be made.

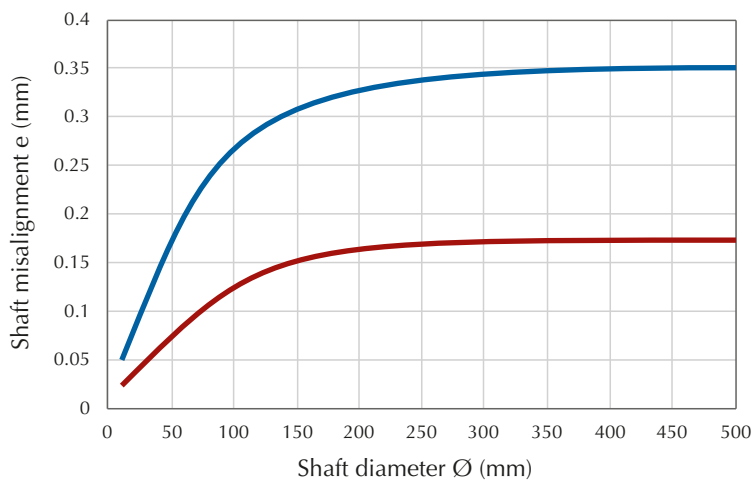
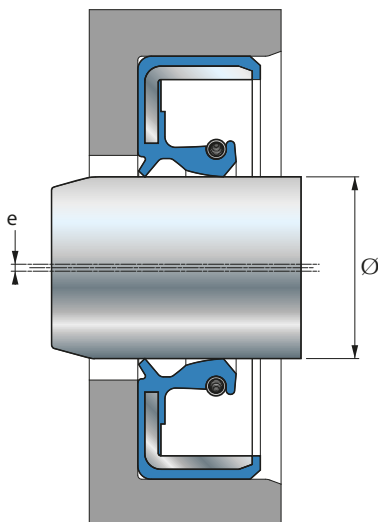


d	d _{ch}	R
< 10	d ₁ 1.5	2
over 10 to 20	d ₁ 2.0	2
over 20 to 30	d ₁ 2.5	3
over 30 to 40	d ₁ 3.0	3
over 40 to 50	d ₁ 3.5	4
over 50 to 70	d ₁ 4.0	4
over 70 to 95	d ₁ 4.5	5
over 95 to 130	d ₁ 5.5	6
over 130 to 240	d ₁ 7.0	8
over 240 to 500	d ₁ 11.0	12

For rotary seals equipped with an anti-dust lip, a installation in direction X- is possible, but Techné recommends to prefer installation direction X+.

Shaft misalignment

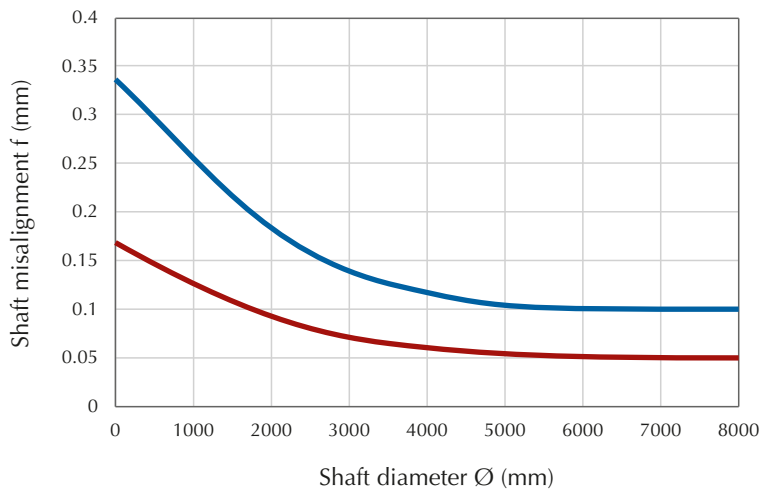
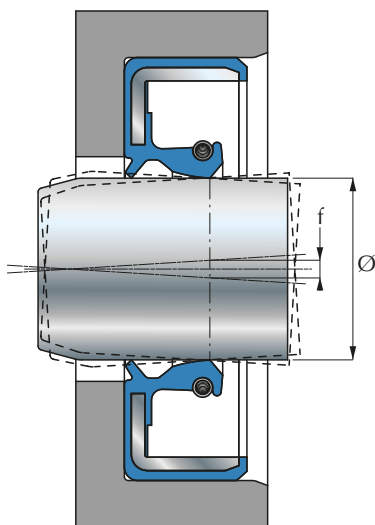
For an optimal working, shaft and housing must be aligned. A reduced shaft misalignment is authorised, but limited to the following values :



— Rubber lip seals
— PTFE lip seals and High Pressure rotary seals

Shaft run-out

When shaft is not perfectly guided, it may rotate unevenly. A reduced shaft run-out is authorised, but limited to the following values :



— Rubber lip seals
— PTFE lip seals and High Pressure rotary seals

✓ Housing

Housing materials

A good fixing of rotary seals in their housings is required for the sealing function. Generally speaking, Techné recommends to set up rotary seals in housings made of materials with low thermal expansion.

If housings must be made of materials with a high thermal expansion (for ex. plastic, light alloys ...), Techné profiles ANSL & ANDL should be preferred.

To avoid any leakage, a calculation of the maximal housing diameter (when Temperature max. is reached) is necessary.

Roughness

For standard rotary seals (SL, DL, ANSL & ANDL) and other rubber covered types:

- $16\mu\text{m} < R_{\text{max}} < 25\mu\text{m}$
- $1,6\mu\text{m} < R_{\text{a}} < 6,3\mu\text{m}$
- $10\mu\text{m} < R_{\text{z}} < 25\mu\text{m}$

For types AEX, AEX, T2 & 1/2EN:

- $10\mu\text{m} < R_{\text{max}} < 16\mu\text{m}$
- $0,8\mu\text{m} < R_{\text{a}} < 3,2\mu\text{m}$
- $6,3\mu\text{m} < R_{\text{z}} < 16\mu\text{m}$

Housing tolerances

The housing must respect the tolerances H8 according to the ISO 286-2.

Ø (mm)	6 - 10	10 - 14	14 - 18	18 - 30	30 - 50	50 - 80
IT (µm)	0 / +18	0 / +22	0 / +27	0 / +33	0 / +39	0 / +46
Ø (mm)	80 - 120	120 - 180	180 - 250	250 - 315	315 - 400	
IT (µm)	0 / +54	0 / +63	0 / +72	0 / +81	0 / +89	

Tolerances of rotary seals outer diameters

O.D. (mm)	Standard case (smooth rubber O.D.)	Type AN (With ribs)	Type AE or T2 (O.D. without rubber)
to Ø50	+0.30 +0.15	+0.40 +0.20	+0.20 +0.10
50 - 80	+0.35 +0.20	+0.45 +0.25	+0.23 +0.13
80 - 120	+0.35 +0.20	+0.45 +0.25	+0.25 +0.15
120 - 180	+0.45 +0.25	+0.55 +0.30	+0.28 +0.18
180 - 300	+0.45 +0.25	+0.55 +0.30	+0.30 +0.20
300 - 400	+0.55 +0.33	+0.65 +0.35	+0.35 +0.23
400 - 500	+0.55 +0.33	+0.65 +0.35	+0.35 +0.23
500 - 630	+0.65 +0.35	+0.75 +0.40	+0.43 +0.28
630 - 800	+0.75 +0.40	+0.85 +0.45	+0.48 +0.33
800 - 1000	+0.85 +0.45	+0.95 +0.50	+0.53 +0.38
1000 - 1250	+1.00 +0.55	+1.10 +0.60	+0.60 +0.45

3) Materials

✓ Rotary seal materials

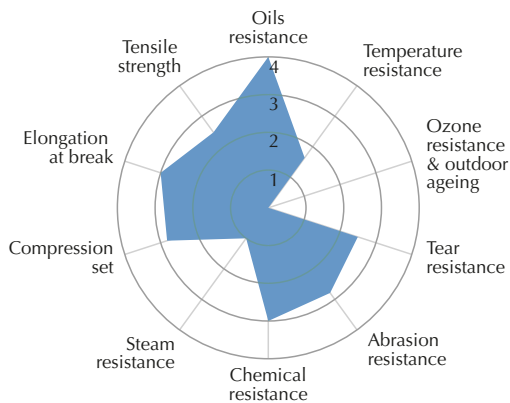
To determine the appropriate material of a rotary seal, several parameters shall be considered:

- Shaft rotation speed (see working parameters page 119)
- Working temperature plus the elevation of lip temperature (see working parameters page 121)
- Media in contact (gas, oil, water, chemicals ...)

✓ Rubber material

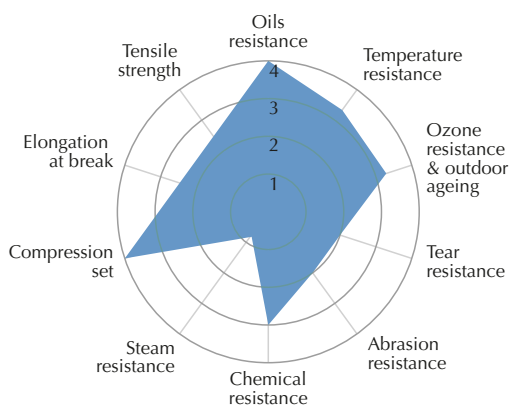
The graphs below help to chose the lip's material considering elastomers' characteristics:

NBR (Nitrile)



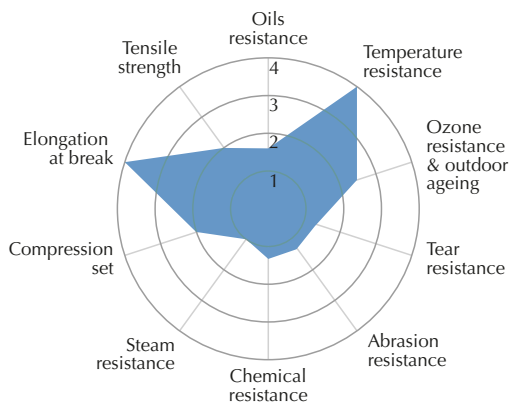
Because of its excellent oil resistance, low price and good mechanical properties, NBR is the most used rubber.

FKM (Fluoro elastomer)



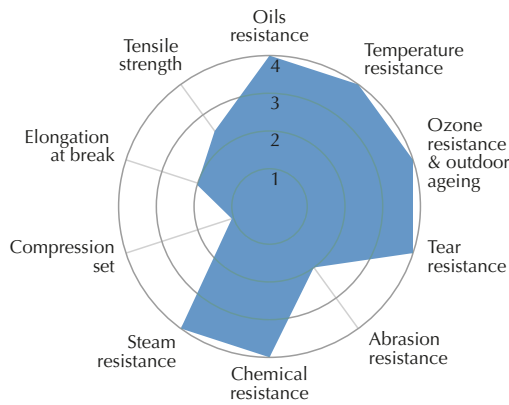
FKM is the reference rubber when high temperature or chemical resistance is needed. It is very resistant to UVs, ozone and outside conditions. It is also very resistant to oils as well as fuels.

VQM (Silicone)



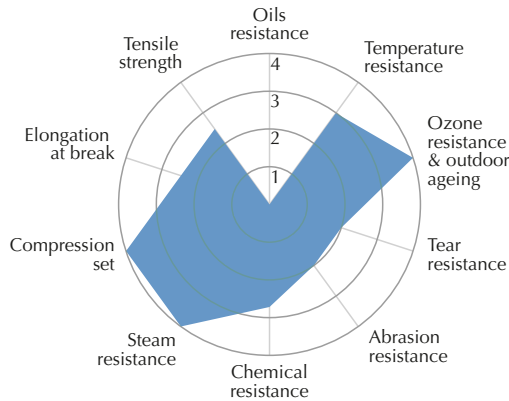
Silicone has the widest temperature range (-50/+200 °C) so it is often used in low as well as in high temperature applications.

PTFE (PolyTetraFluoroEthylene)



PTFE has the smallest friction coefficient. It also has an almost universal chemical compatibility, and a very wide temperature range (either low or high temperature, from -200 °C up to +250 °C)

EPDM (Ethylene Propylene Diene Monomer)

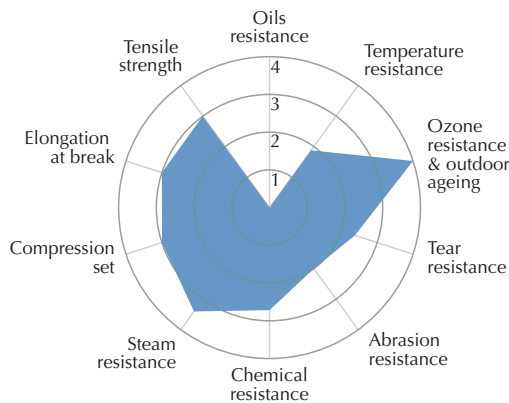


Thanks to its excellent resistance to outside conditions (UV, ozone resistance, etc.), and its excellent compatibility with water and steam, EPDM is the second most used rubber in the sealing world. It is the most certified rubber.

Peroxide or Sulfur cured EPDM:

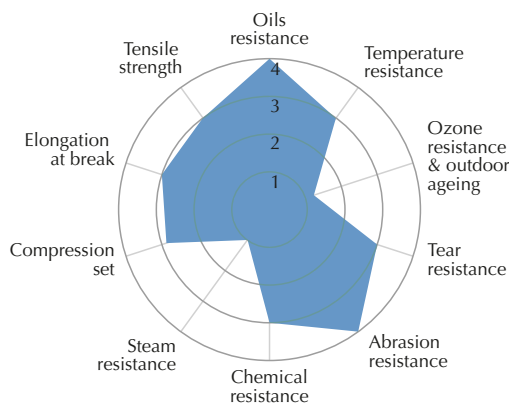
The working temperature of your application will help Techné to choose in between sulfur cured EPDM (+100 °C) or peroxide cured EPDM (+150 °C).

Peroxid cured EPDM



Sulfur cured EPDM

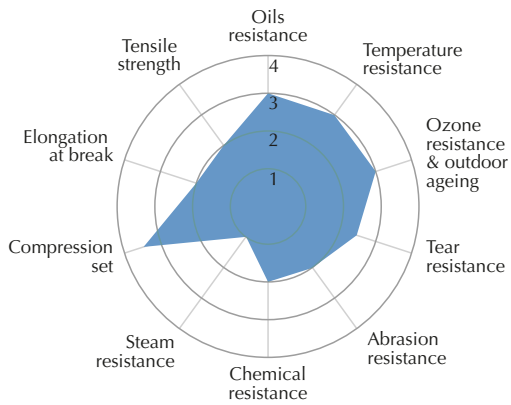
HNBR (Hydrogenerated nitrile)



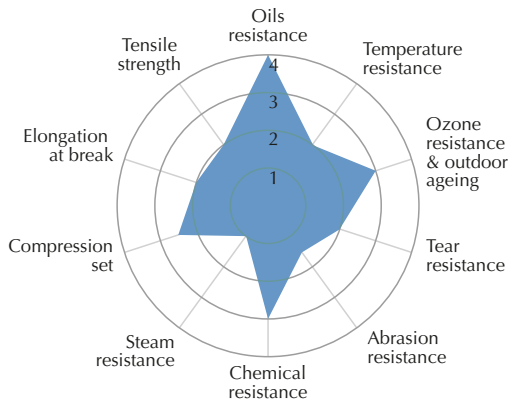
HNBR is used when NBR finds its limitations. HNBR has a wider temperature range, for an equivalent oil resistance. Ozone resistance is also better.

AEM (Polyacrylate) / ACM (Ethylene acrylate)

Both of them are specific materials, mostly used in automotive applications (transmissions, engines, gear boxes). They figure out homogeneous characteristics with a wide temperature range resistance.



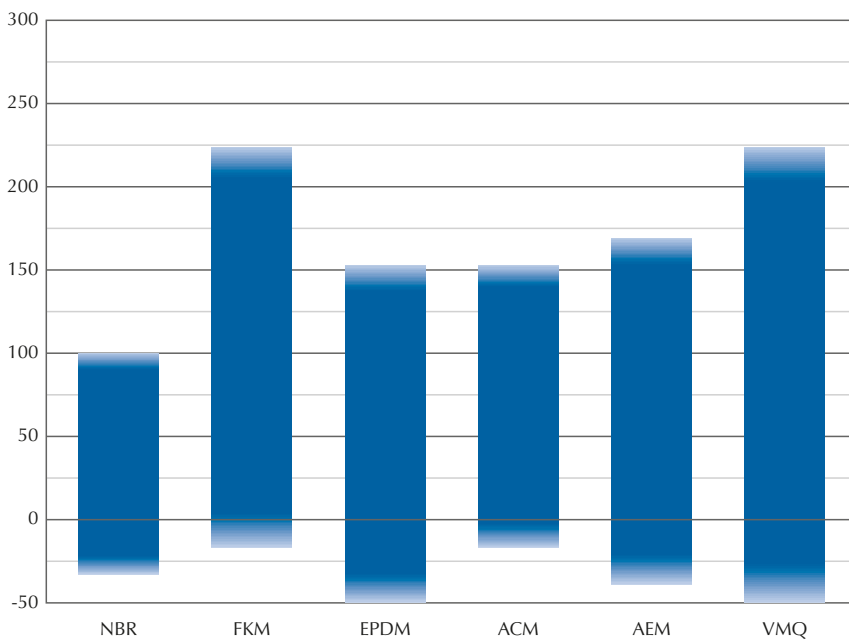
AEM



ACM

The graph below helps to compare the temperature resistances of several possible materials for a sealing lip:

T (C°)



✓ Rubber / fluid resistance

The chart below shows the resistance of usual rubber materials towards most common fluids to be sealed. For more precise data, please contact Techné Technical department.

Fluid	T (°C)	EPDM	NBR	AEM	VMQ	FKM
Mineral oil	100	4	1	1	3	1
PAO oil	100	4	1	1	3	1
PAG oil	100	2	2/3	1/2	3	1
Silicone oil	100	2	1	1	4	1
Vegetable oil, animal fats	80	2/3	1	1	2/3	1
Kerosene	20	4	1	2	4	1
Acetone	20	1	4	4	4	4
Water	20	1	1	1	1	1
Water	100	1	2	4	1	2/3
Aqueous glycol	100	1	1	4	1	2
ATF oil	100	4	1	4	3	1
Reference oil ASTM1	100	4	1	1	2	1
Reference oil ASTM2	100	4	1	1	2	1
Reference oil ASTM3	100	4	1	1	3	1
ATE liquid (brake fluid)	100	1	4	4	2	4
Fuel A	60	4	1	3	4	1
Fuel B	60	4	2/3	4	4	1
Fuel C	60	4	4	4	4	1

1: Excellent ; 2: Good resistance ; 3: Average ; 4: To avoid

The chart below shows the resistance of usual rubber materials towards most common hydraulic fluids. For more precise data, please contact Techné Technical department.

ISO 6743	Designation	Application	NBR	HNBR	FKM	PU	PTFE	EPDM	MVQ
			Maximum temperature admitted (°C)						

ISO 11158 - Minerals oils

HH	Uninhibited pure mineral oils without additives	Only ensure power transmission, not protection nor lubrication. Not used a lot anymore	100	130	150	110	200	/	150
HL	Mineral oils with enhanced anti-oxidation	Excellent performance with water. Used under low pressure systems	100	130	150	110	200	/	150
HM	Same properties as HL oils but with enhanced wear proof properties	Widely used in high pressure systems	100	130	150	110	200	/	150
HV	Same properties as HM oils, but with enhanced temperature viscosities properties	Used in low temperature applications or with big temperature variations. Used in naval and automotive industries. Most widely used oils.	100	130	150	110	200	/	150
HG	Same properties as HV oils, but with anti-stick lip properties	Used in systems where sliding and hydraulic parts have a common circuit	100	130	150	110	200	/	150

ISO 12922 - Hardly inflammable fluids

HFAE	Oil emulsions in water (more than 95% of water)	Used in large hydraulic systems with a high leak risk. Hydraulic presses.	60	60	60	40	60	60	60
HFAS	Aqueous chemical (more than 95%)	Used in large hydraulic systems with a high leak risk. Hydraulic presses.	60	60	60	40	60	60	60
HFB	Oil emulsions in water (more than 40% of water)	Rarely used	60	60	60	40	60	/	60
HFC	Aqueous polymers solution (polyethylene glycol or polypropylene) with more than 35% water	Most widely used. Used in industrial systems where maximum temperature does not exceed 60 °C with average pressures	60	60	60	/	60	/	60
HFDR	Synthetic fluids without water, based in phosphoric ester	Used in high temperatures and high pressure systems	/	/	100	/	100	100	100
HFDU	Synthetic fluids of different composition		100	/	100	/	100	/	100

ISO 15380 - Bio compatible fluids

HETG	Vegetable oils	Agricultural and forest applications	60	80	80	60	80	/	80
HEPG	Polyglycols	Water protection applications	60	100	100	60	100	/	100
HEES	Synthetic esters	Construction machinery	60	100	100	60	100	/	100
HEPR	Polyalphaolefins and hydrocarbon products		60	100	100	60	100	/	100

✓ Coatings

For high-end applications, where a very low friction force is required, Techné offers a full range of coatings, adapted to customers' applications and counterfaces' materials.

Advantages

- Noise reduction in house appliances.
- Used in high temperature.
- Performance increase in competition sport equipments.
- Extended service life time for industrial machines.
- Anti stick-slip effect.

Limitation

- The whole shaft seal will be coated, incl. outer diameter.

✓ Metal case material

Standard metal case material is : low Carbon steel DC01-270*

** DC01-270 or 1.0330A or JIS G3141 SPCC-S (with tensile strength > 270 Mpa)*

On demand, Techné can provide stainless steels :

- EN 1.4310 / AISI 301 : X10CrNi18-8
- EN 1.4301 / AISI 304 : X5CrNi18-10
- EN 1.4401 / AISI 316 : X5CrNiMo17-12-2

✓ Spring material

Standard spring materials are:

- For NBR rotary shaft seals: carbon steel
- for FKM rotary shaft seals: EN 1.4301 / AISI 304

On demand, Techné can provide springs in following stainless steels :

- EN 1.4310 / AISI 301 : X10CrNi18-8
- EN 1.4301 / AISI 304 : X5CrNi18-10
- EN 1.4401 / AISI 316 : X5CrNiMo17-12-2
- EN 1.4571 / AISI 316Ti: X6CrNiMoTi17-12-2

Hastelloy® , high-performance nickel- and cobalt-based alloy with good resistance against chemical acid corrosion.

✓ Storage

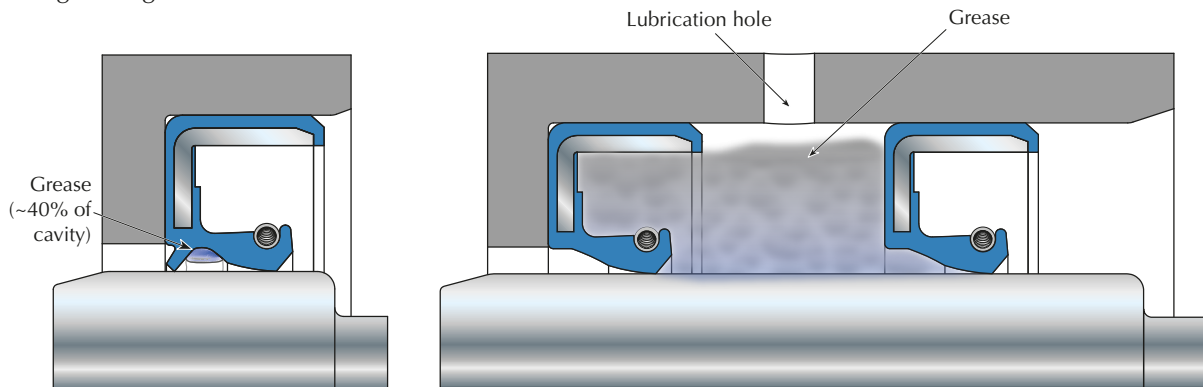
According to ISO 2230 standard, rotary seals shall be stored according to following recommendations:

- Duration:
 - NBR, AEM and ACM: 7 years max.
 - FKM, EPDM, VMQ and HNBR: 10 years max.
- Temperature: Storage temperature shall not exceed 25°C. Rotary seals shall be kept away from heat sources (Radiator, direct sunlight...).
- Light: Rubber must be protected from direct sunlight and UVs.
- Radiation: exposition to ionizing radiations must be avoided.
- Ozone: Rotary seals shall be kept away from equipment which generate Ozone (mercury light...). Organic vapours, combustion gases, which could lead to a photochemical reaction and increase the ozone level shall be avoided.
- Contact: rotary seals must not be in contact with any liquids or vapours.

✓ Fitting

Preparation:

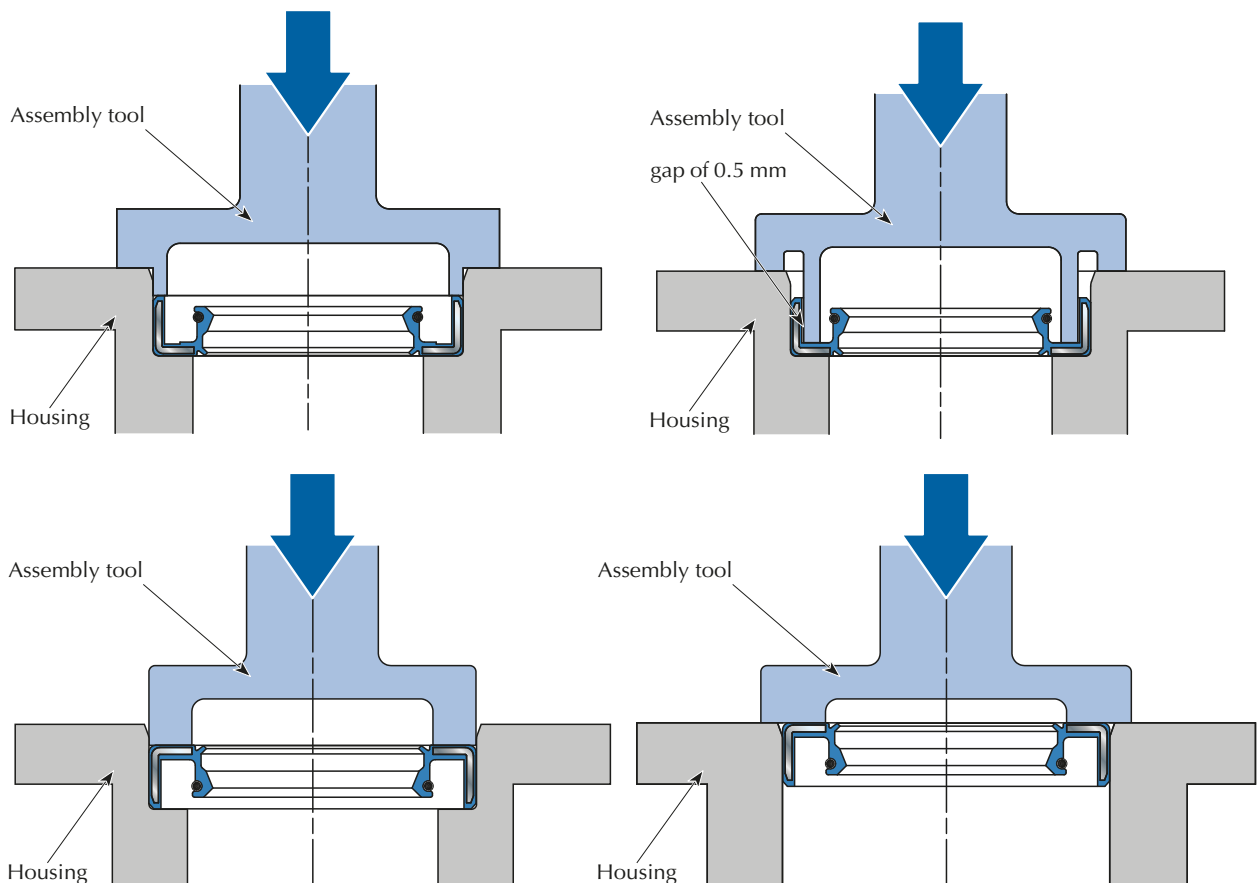
- Before fitting, ensure that there are no remaining sharp edges on housing and shaft which may damage the rotary shaft seal
- shaft and housing shall be cleaned before fitting
- Rotary shaft seal lip and shaft shall be greased or oiled before fitting
- For multi-lips seals (DL, DLO ...), Techné recommends to fill the gap between the lips with approx. 40 to 60% grease.
- When several rotary shaft seals are fitted in line, the gap between the seals shall be filled with grease. A regular grease volume shall be maintained to grant a good lubrication.



Assembly with a press

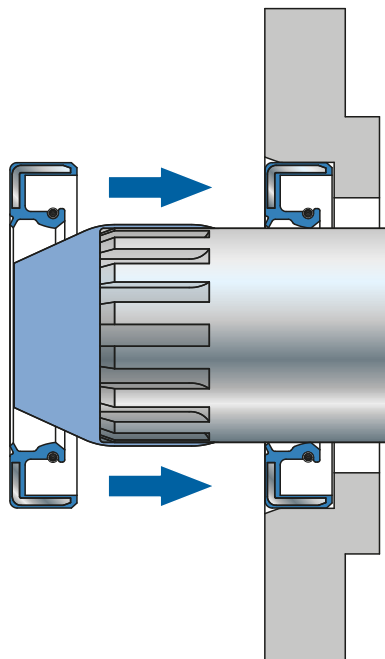
Techné recommends to assemble rotary shaft seals with the help of a hydraulic or a pneumatic press to provide a regular pressure on the seal and avoid a deformation of the metal case.

Assembly tools with different shapes shall be used, depending on the rotary shaft seal's dimension.



Mounting cone

To fit the rotary shaft seal on the shaft, Techné recommends to set up a mounting cone to grant a good positioning of the sealing lip on the shaft.



Design sheet

Date: / /

Company name:

Address:

Contact name:

E-mail:

Tel.:

Annual quantity:

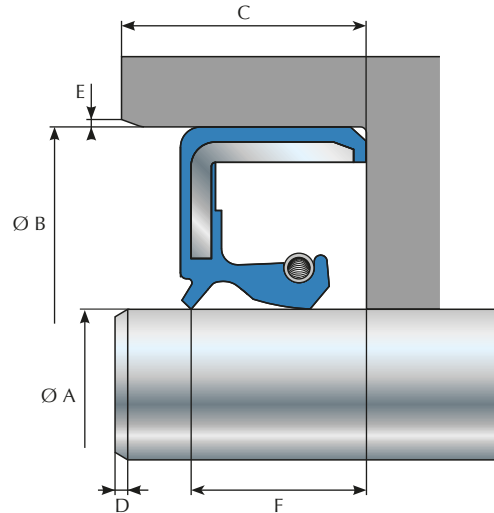
Delivery in batches of:

Material (if knows):

Rubber:

Metal case:

Spring:



A: Shaft outer diameter

B: Housing inner diameter

C: Seal's width max (outer diameter)

D: Shaft chamfer's length & angle

E: Housing chamfer's length & angle

F: Seal's width max (inner diameter)

Existing customer drawing: Yes No

Application(Automotive...):

Existing customer sample: Yes No

Equipment (Pump, Motor...):

OEM/Aftermarket

	Material	Surface roughness (Ra or Rz or Rmax)	Hardness (HRC)
Shaft	<input type="text"/>	<input type="text"/>	<input type="text"/>
Housing	<input type="text"/>	<input type="text"/>	<input type="text"/>

Working conditions

	Min	Working	Max
Pressure (bar)	<input type="text"/>	<input type="text"/>	<input type="text"/>
Temperature (°C)	<input type="text"/>	<input type="text"/>	<input type="text"/>

Fluid (or gas) in contact

	Description	Art of contact (immersion, projection, ...)
Internal	<input type="text"/>	<input type="text"/>
External	<input type="text"/>	<input type="text"/>

Mouvements

Type of use: Continuous Intermittent

Use frequency (hours/years):

Max shaft misalignment:

Max shaft run out:

Shaft positioning: Vertical Horizontal

(in working conditions)

* Rotative

	Min	Working	Max
Rotation speed (RPM)	<input type="text"/>	<input type="text"/>	<input type="text"/>

Max shaft translative movement (if any):

Direction from airside: Clockwise Counterclockwise bi-directionnal

Ocillating: Rotary arc angle

Frequency (cylce/min)

Reciprocating: stroke (mm)

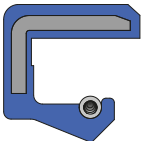
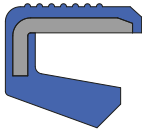
Frequency (cylce/min)

Guiding type

Bearing Bushes

Any additionnal information / requirement

Index

	A	B	C	D	E
	SL	DL	DLO	SL SR	DL SR
1					
	NBR : 22.2100 NBR (RI) : 22.2013 FKM : 22.2200 FKM green : 22.2201 VMQ : 22.2400	NBR : 22.2110 NBR (RI) : 22.2113 FKM : 22.2210 VMQ : 22.2410 VMQ green : 22.2409	NBR : 22.2011 NBR (RI) : 22.2117 FKM (RI) : 22.2262	NBR : 22.2160 FKM : 22.2260 VMQ : 22.2460	NBR : 22.2109 FKM : 22.2213
	AE SL	AE DL	AE DLO	AE SL RI	AE DL RN
2					
	NBR : 22.2032 FKM : 22.2204	FKM : 22.2214	NBR : 22.2116	EPDM : 22.2907	NBR : 22.2107 FKM : 22.2278
	AEX SL	AEX DL	AEX DLO	AEX SL SR	AEX DL SR
3					
	NBR : 22.2300 FKM : 22.2230 VMQ : 22.2455 ACM : 22.2804	NBR : 22.2140 FKM : 22.2240	NBR : 22.2361 FKM : 22.2360	NBR : 22.2155 NBR (Ai) : 22.2127 FKM : 22.2250 VMQ : 22.2450	NBR : 22.2156 FKM : 22.2251
	AN SL	AN DL	AN SL SR	1/2EN DL HD	1/2EN DL HG
4					
	NBR : 22.2120 FKM : 22.2291	NBR : 22.2121 FKM : 22.2290	NBR : 22.2122 FKM : 22.2211 ACM : 22.2940	FKM : 22.2296 VMQ : 22.2496	FKM : 22.2295 VMQ : 22.2196
	1/2E SL	1/2E DL	1/2E DL HD	1/2E DL HG	AEX SL HD
5					
	NBR : 22.2191 FKM : 22.2220	NBR : 22.2192	FKM : 22.2292 ACM : 22.2892	FKM : 22.2294	VMQ : 22.2442 ACM : 22.2805

F	G	H	I	J	
SL HD  NBR : 22.2102 FKM : 22.2297 VMQ : 22.2402 ACM : 22.2802	SL HG  NBR : 22.2103 FKM : 22.2289 VMQ : 22.2403 ACM : 22.2803	SL HDS  NBR : 22.2190 FKM : 22.2283 VMQ : 22.2406 ACM : 22.2801	AN SL HD  FKM : 22.2203 VMQ : 22.2421	AN SL HG  NBR : 22.2104 FKM : 22.2284 VMQ : 22.2404 ACM : 22.7010	1
AN SL HDS  AEM : 22.7252	DL HD  NBR : 22.2114 FKM : 22.2285 VMQ : 22.2412 ACM : 22.2812 AEM : 22.7212	DL HG  NBR : 22.2112 FKM : 22.2286 VMQ : 22.2413 ACM : 22.2813	DL HDS  FKM : 22.2287 ACM : 22.2814	AN DL HD  NBR : 22.2128 FKM : 22.2282 VMQ : 22.2422 ACM : 22.2822 ACM/FKM : 22.7001 AEM/FKM : 22.7002	2
AN DL HG  FKM : 22.2281 VMQ : 22.2423 ACM : 22.2821 ACM/FKM : 22.7000 AEM/FKM : 22.7004	AN DL HDS  NBR : 22.2129 FKM : 22.2298	T2 SL  NBR : 22.2350 FKM : 22.2355	T2 DL  NBR : 22.2354 FKM : 22.2254	K7  NBR : 22.9000	3
SLE  NBR : 22.2700 FKM : 22.2202	AEX SLE  NBR : 22.2301	SLE SR  NBR : 22.2701	DLE  NBR : 22.2710	AEX DLE  NBR : 22.2720	4
SL HP  NBR : 22.2175 NBR (Al&Rl): 22.2171 FKM : 22.2217	DL HP  NBR : 22.2170 FKM : 22.2270 EPDM : 22.2920	DL HP10  FKM : 22.2215	AEX DLP  NBR : 22.2141	AI P-SL SER  NBR + PTFE/glass/ MoS2 : 22.2520 FKM + PTFE/glass/ MoS2 : 22.2502	5

Index

1/2 DL HG	D5	22.2011	C1	22.2260	D1	22.2801	H1
1/2 EN DL HD	D4	22.2013	A1	22.2262	C1	22.2802	F1
1/2 SL	A5	22.2032	A2	22.2270	G5	22.2803	G1
1/2E DL	B5	22.2100	A1	22.2278	E2	22.2804	A3
1/2E DL HD	C5	22.2102	F1	22.2281	F3	22.2805	E5
1/2EN DL HG	E4	22.2103	G1	22.2282	J2	22.2812	G2
AE DL	B2	22.2104	J1	22.2283	H1	22.2813	H2
AE DL RN	E2	22.2107	E2	22.2284	J1	22.2814	I2
AE DLO	C2	22.2109	E1	22.2285	G2	22.2821	F3
AE SL	A2	22.2110	B1	22.2286	H2	22.2822	J2
AE SL RI	D2	22.2112	H2	22.2287	I2	22.2892	C5
AEX	A3	22.2113	B1	22.2289	G1	22.2907	D2
AEX DL	B3	22.2114	G2	22.2290	B4	22.2920	G5
AEX DL SR	E3	22.2116	C2	22.2291	A4	22.2940	C4
AEX DLE	J4	22.2117	C1	22.2292	C5	22.7000	F3
AEX DLO	C3	22.2120	A4	22.2294	D5	22.7001	J2
AEX DLP	I5	22.2121	B4	22.2295	E4	22.7002	J2
AEX SL HD	E5	22.2122	C4	22.2296	D4	22.7004	F3
AEX SL SR	D3	22.2127	D3	22.2297	F1	22.7010	J1
AEX SLE	G4	22.2128	J2	22.2298	G3	22.7212	G2
AI P-SL SER	J5	22.2129	G3	22.2300	A3	22.7252	F2
AN DL	B4	22.2140	B3	22.2301	G4	22.9000	J3
AN DL HD	J2	22.2141	I5	22.2350	H3		
AN DL HDS	G3	22.2155	D3	22.2354	I3		
AN DL HG	F3	22.2156	E3	22.2355	H3		
AN SL	A4	22.2160	D1	22.2360	C3		
AN SL HD	I1	22.2170	G5	22.2361	C3		
AN SL HDS	F2	22.2171	F5	22.2400	A1		
AN SL HG	J1	22.2175	F5	22.2402	F1		
AN SL SR	C4	22.2190	H1	22.2403	G1		
DL	B1	22.2191	A5	22.2404	J1		
DL HD	G2	22.2192	B5	22.2406	H1		
DL HDS	I2	22.2196	E4	22.2409	B1		
DL HG	H2	22.2200	A1	22.2410	B1		
DL HP	G5	22.2201	A1	22.2412	G2		
DL HP10	H5	22.2202	F4	22.2413	H2		
DL SR	E1	22.2203	I1	22.2421	I1		
DLE	I4	22.2204	A2	22.2422	J2		
DLO	C1	22.2210	B1	22.2423	F3		
K7	J3	22.2211	C4	22.2442	E5		
SL	A1	22.2213	E1	22.2450	D3		
SL HD	F1	22.2214	B2	22.2455	A3		
SL HDS	H1	22.2215	H5	22.2460	D1		
SL HG	G1	22.2217	F5	22.2496	D4		
SL HP	F5	22.2220	A5	22.2502	J5		
SL SR	D1	22.2230	A3	22.2520	J5		
SLE	F4	22.2240	B3	22.2700	F4		
SLE SR	H4	22.2250	D3	22.2701	H4		
T2 DL	I3	22.2251	E3	22.2710	I4		
T2 SL	H3	22.2254	I3	22.2720	J4		

Techné's catalogues



Techné's information



Surface treatments



Rotaty seals



Rubber sealing



Hydraulic seals



Gaskets



Aseptic seals



Machined parts

Techné

G R O U P E

40 allée des Haies
69480 Morancé

OEM

Tel : +33 (0)4 78 43 12 72
Fax : +33 (0)4 78 43 12 77
Courriel : oem@techne.fr

Industrie

Tel : +33 (0)4 78 43 78 78
Fax : +33 (0)4 78 43 16 91
Courriel : industrie@techne.fr

Distribution

Tel : +33 (0)4 78 43 12 70
Fax : +33 (0)4 78 43 11 43
Courriel : distribution@techne.fr

Chromex

Tel : +33 (0)1 69 92 16 30
Fax : +33 (0)1 64 94 84 02
Courriel : chromex@chromex.info

Techné Shanghai

Tél : +86 21 64 73 84 17
Fax : +86 21 64 73 84 39
Courriel : techneshanghai@techne.cn

Techné Turquie

Tel : +90 (0) 212 256 68 96
Fax : +90 (0) 212 255 58 15
Courriel : turkey@techne.fr



techne.fr